

BALDOR® • ***RELIANCE***

Product Information Packet

EM3714T-8

10HP,1770RPM,3PH,60HZ,215T,3752M,TEFC,F1

Part Detail							
Revision:	C	Status:	PRD/A	Change #:		Proprietary:	No
Type:	AC	Prod. Type:	3752M	Elec. Spec:	37WGR082	CD Diagram:	CD0006
Enclosure:	TEFC	Mfg Plant:		Mech. Spec:	37A001	Layout:	37LYA001
Frame:	215T	Mounting:	F1	Poles:	04	Created Date:	08-07-2015
Base:	RG	Rotation:	R	Insulation:	F	Eff. Date:	01-19-2017
Leads:	3#10					Replaced By:	
Literature:		Elec. Diagram:					

Nameplate NP3441L										
CAT.NO.	EM3714T-8									
SPEC.	37A001R082G1									
HP	10									
VOLTS	200									
AMP	28.6									
RPM	1770									
FRAME	215T				HZ	60			PH	3
SER.F.	1.15		CODE	K	DES	A		CL	F	
NEMA-NOM-EFF	91.7		PF	82						
RATING	40C AMB-CONT									
CC	010A				USABLE AT 208V					
DE	6307				ODE	6206				
ENCL	TEFC		SN							
VPWM INVERTER READY										
CT6-60H(10:1)VT3-60H(20:1)										
	SFA 32.9									

Parts List		
Part Number	Description	Quantity
SA305173	SA 37A001R082G1	1.000 EA
RA292378	RA 37A001R082G1	1.000 EA
HW3200A01	3/8-16X3/4 I-BLT WELDED F/S	1.000 EA
37CB3006	37 CB CASTING W/1.38 LEAD HOLE @ 6:00	1.000 EA
37GS1000	GASKET, CONDUIT BOX STD., .06 THICK LEXI	1.000 EA
51XW2520A12	.25-20 X .75, TAPTITE II, HEX WSHR SLTD	2.000 EA
11XW1032G06	10-32 X .38, TAPTITE II, HEX WSHR SLTD U	1.000 EA
37EP3101A01	FR ENDPLATE, FOR ROUTING PURPOSES	1.000 EA
HW4500A01	1641B(ALEMITE)400 UNIV, GREASE FITT	1.000 EA
HW5100A06	W2420-025 WVY WSHR (WB)	1.000 EA
37PE3100A01	PUEP ASSEMBLY - ROUTING PUPROSES	1.000 EA
HW4500A01	1641B(ALEMITE)400 UNIV, GREASE FITT	1.000 EA
XY3118A12	5/16-18 HEX NUT DIRECTIONAL SERRATION	4.000 EA
51XB1214A20	12-14X1.25 HXWSSLD SERTYB	1.000 EA
07FH4007SP	PRIMED	1.000 EA
51XW1032A06	10-32 X .38, TAPTITE II, HEX WSHR SLTD S	3.000 EA
37CB4516	LIPPED LID FOR 37 FRAME NEC KOBX	1.000 EA
37GS1008	37 GS FOR CB LID - LEXIDE	1.000 EA
51XW0832A07	8-32 X .44, TAPTITE II, HEX WSHR SLTD SE	4.000 EA
HW2501F21	KEY, 5/16 SQ X 2.375	1.000 EA
HA7000A02	KEY RETAINER RING, 1 1/8 DIA, 1 3/8 DIA	1.000 EA
LB1115N	LABEL,LIFTING DEVICE (ON ROLLS)	1.000 EA
85XU0407S04	4X1/4 U DRIVE PIN STAINLESS	2.000 EA
MJ1000A02	GREASE, POLYREX EM EXXON (USe 4824-15A)	0.050 LB

Parts List (continued)		
Part Number	Description	Quantity
37FN3002A01SP	EXFN, PLASTIC, 9.00 OD, 1.155 ID	1.000 EA
MG1000Y03	MUNSELL 2.53Y 6.70/ 4.60, GLOSS 20,	0.028 GA
HA3104A25	THRUBOLT .31-18 X 14.75	4.000 EA
LC0006	CONNECTION LABEL	1.000 EA
LB1119N	WARNING LABEL	1.000 EA
MN416A01	TAG-INSTAL-MAINT no wire (1000/bx) 11/14	1.000 EA
NP3441L	ALUM SUPER-E VPWM INVERTER READY UL	1.000 EA
37PA1039	PALLET PACK GRP, PRINT PK1026A06	1.000 EA

AC Induction Motor Performance Data

Record # 46159 - Typical performance - not guaranteed values

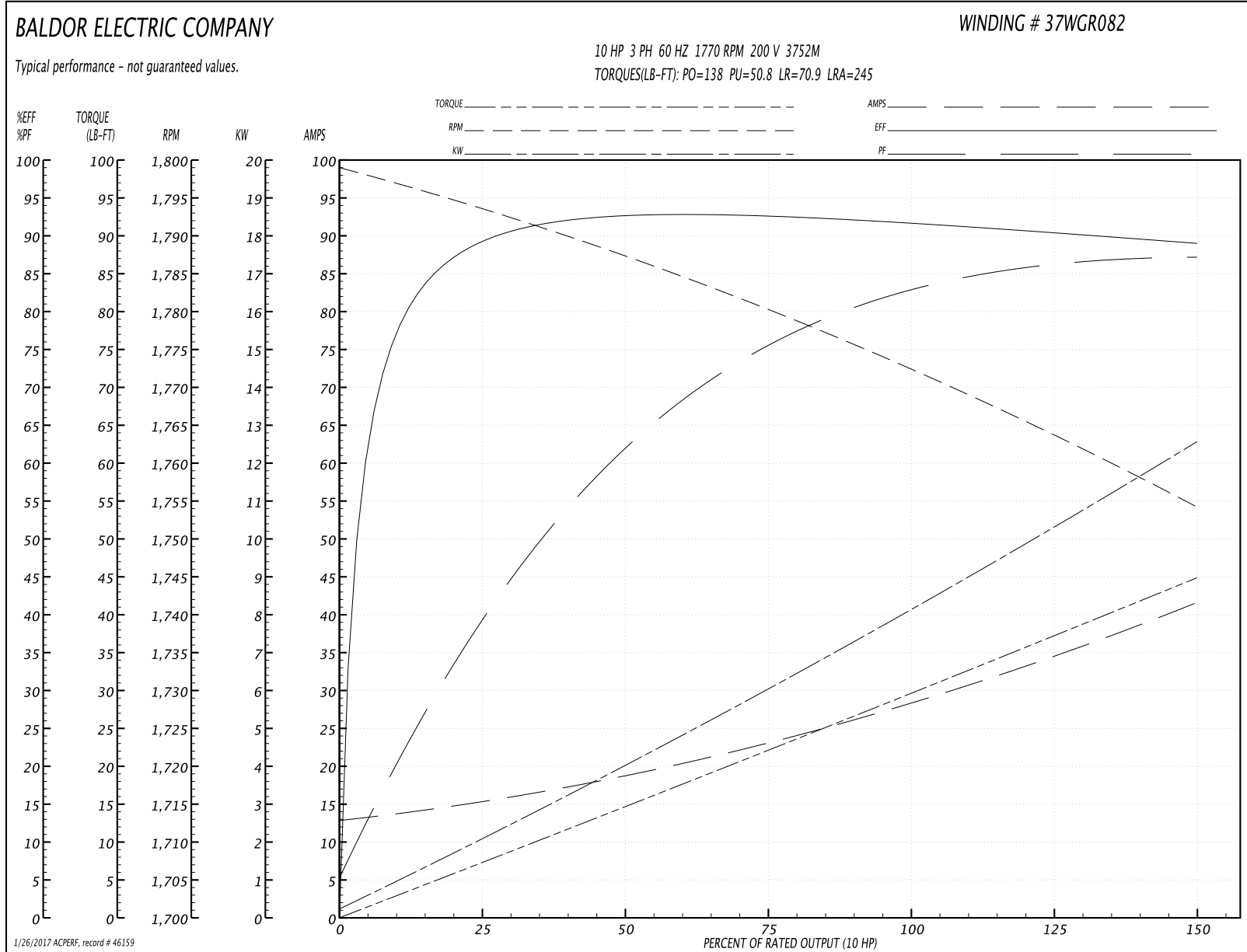
Winding: 37WGR082-R002	Type: 3752M	Enclosure: TEFC
-------------------------------	--------------------	------------------------

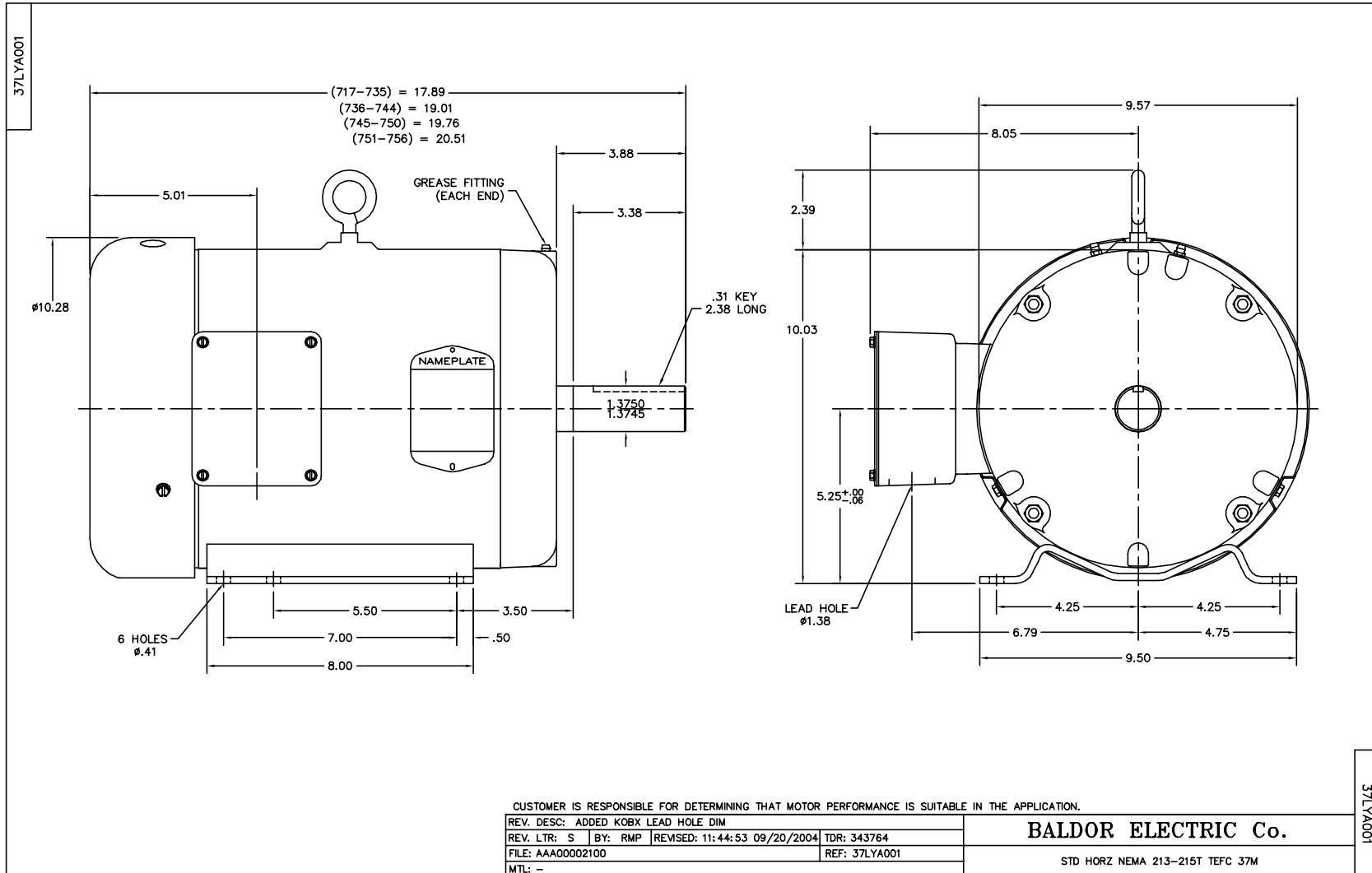
Nameplate Data				200 V, 60 Hz: Single Voltage Motor	
Rated Output (HP)	10			Full Load Torque	29.5 LB-FT
Volts	200			Start Configuration	direct on line
Full Load Amps	28.6			Breakdown Torque	138 LB-FT
R.P.M.	1770			Pull-up Torque	50.8 LB-FT
Hz	60	Phase	3	Locked-rotor Torque	70.9 LB-FT
NEMA Design Code	A	KVA Code	K	Starting Current	245 A
Service Factor (S.F.)	1.15			No-load Current	13.3 A
NEMA Nom. Eff.	91.7	Power Factor	82	Line-line Res. @ 25°C	0.174 Ω
Rating - Duty	40C AMB-CONT			Temp. Rise @ Rated Load	64°C
S.F. Amps				Temp. Rise @ S.F. Load	78°C
				Locked-rotor Power Factor	36
				Rotor inertia	1.28 LB-FT ²

Load Characteristics 200 V, 60 Hz, 10 HP

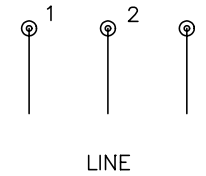
% of Rated Load	25	50	75	100	125	150	S.F.
Power Factor	41	63	75	82	85	88	84
Efficiency	88.2	92	92.7	91.9	90.8	88.8	91.2
Speed	1794	1787	1780	1773	1764	1754	1768
Line amperes	14.7	18.4	23.2	28.6	34.7	41.3	32.3

Performance Graph at 200V, 60Hz, 10.0HP Typical performance - Not guaranteed values





CD0006



NOTES:

1. THREE LEAD MOTOR MAY BE EITHER WYE CONNECTED OR DELTA CONNECTED.
2. INTERCHANGE ANY TWO LINE LEADS TO REVERSE ROTATION.
3. OPTIONAL THERMOSTATS ARE PROVIDED WHEN SPECIFIED.
4. ACTUAL NUMBER OF INTERNAL PARALLEL CIRCUITS MAY VARY.
5. LEAD COLORS ARE OPTIONAL. LEADS MUST BE NUMBERED AS SHOWN.

REV. DESC: REVISE TO SHOW OPTIONAL COLORS			
REV. LTR: D	BY: JLP	REVISED: 01/21/99 4:02	TDR: 0171435
9000D		FILE: AAA00005141	MDL: -
		MTL: -	

BALDOR ELECTRIC Co.

3PH, SV, 3 LEADS, WYE OR DELTA CONNECTED

CD0006