

BALDOR® • **RELIANCE**

Product Information Packet

EM4316T-12

75HP, 1780RPM, 3PH, 60HZ, 365T, A36070M, TEFC

Part Detail							
Revision:	M	Status:	PRD/A	Change #:		Proprietary:	No
Type:	AC	Prod. Type:	A36070M	Elec. Spec:	A36WG1521	CD Diagram:	416820-020
Enclosure:	TEFC	Mfg Plant:		Mech. Spec:		Layout:	617428-012
Frame:	365T	Mounting:	F1	Poles:	04	Created Date:	12-17-2010
Base:		Rotation:	R	Insulation:	F	Eff. Date:	09-26-2016
Leads:	12#6					Replaced By:	
Literature:		Elec. Diagram:					

Nameplate NP2383L										
CAT.NO.	EM4316T-12			SPEC NO.	P36G3433					
HP	75	AMPS	172/85.9		VOLTS	230/460		DESIGN	B	
FRAME	365T	RPM	1780	HZ	60	AMB	40	SF	1.15	
DRIVE END BEARING	65BC03J30X			PHASE	3	DUTY	CONT		INSUL.CLASS	F
OPP D.E. BEARING	65BC03J30X			TYPE	P	ENCL	TEFC	CODE	G	
SER.NO.				POWER FACTOR	86		NEMA-NOM-EFFICIENCY	95.4		
NEMA NOM/CSA QUOTED EFF				MAX CORR KVAR	16.0		GUARANTEED EFFICIENCY	95.0		
				MOTOR WEIGHT	955					

Parts List		
Part Number	Description	Quantity
SA213579	SA P36G3433	1.000 EA
RA200799	RA P36G3433	1.000 EA
421948038R	LABEL, MYLAR	1.000 EA
000692000VD	LABEL WARNING	1.000 EA
NP2383L	SUPER-E ,SS, CC, CSA-C US, CSA EEV	1.000 EA
085922073B	BRKT 360 085922072WCC KB	1.000 EA
415072001B	CLAMP	1.000 EA
078559001A	+FANCV - 360	1.000 EA
034180012DA	KEY 1X4X1/4X1-1/2 L	1.000 EA
004824015A	GREASE POLYREX EM	0.540 LB
032018012DK	HHCS 1/2-13X1-1/2 PLTD.	4.000 EA
032018008AK	HHCS 1/4-20X1 PLATED	4.000 EA
032018024CK	HHCS 3/8-16X3 PLTD.	3.000 EA
415096002A	CPLG 1/8 HEX TYPE	1.000 EA
410700004F	WSHR	1.000 EA
035000001G	GREASE RELIEF FITTING, ALEMITE 317400	1.000 EA
034530052AB	P/NIP 1/8X6-1/2 GALV.	1.000 EA
034690001AB	SQHDPLG, COND	1.000 EA
034600001AA	BUSH 1/4TO1/8 BLACK	1.000 EA
034690001AB	SQHDPLG, COND	1.000 EA
034600001AA	BUSH 1/4TO1/8 BLACK	1.000 EA
085922073B	BRKT 360 085922072WCC KB	1.000 EA
415045002E	SLGR	1.000 EA
032018012DK	HHCS 1/2-13X1-1/2 PLTD.	4.000 EA

Parts List (continued)		
Part Number	Description	Quantity
032018024CK	HHCS 3/8-16X3 PLTD.	3.000 EA
035000001G	GREASE RELIEF FITTING, ALEMITE 317400	1.000 EA
077176000L	C/BOX, PAINTED 360-400	1.000 EA
077176001A	CBOXC, PAINTED 360-400	1.000 EA
043292000AJ	GASK 320-400	1.000 EA
402731001A	GASK 360-440	1.000 EA
418150003A	GREASE FITTING CAP	1.000 EA
MG1000Y03	MUNSELL 2.53Y 6.70/ 4.60, GLOSS 20,	0.250 GA
033775004EA	DRSCR #6-1/4 304 S.S.	2.000 EA
032018005AK	HHCS 1/4-20X5/8 PLATED	4.000 EA
032018008CK	HHCS 3/8-16X1L PLATED	4.000 EA
035000001A	ALFTG 1/8" 1610-BL	1.000 EA
415000103D	T/LUG #4AWG-1/0AWG W/HOLE FOR .250 BOLT	1.000 EA
406099000A	PLUG - FAN COVER 320-440	1.000 EA
033512004LB	HHTTS 1/4-20X1/2 PLTD.	1.000 EA
035000001A	ALFTG 1/8" 1610-BL	1.000 EA
418150003A	GREASE FITTING CAP	1.000 EA
034180034HA	KEY 5/8X5/8X4-1/4 L	1.000 EA
702676001C	FAN 360 - 56 PCS	1.000 EA
14PA1000	PACKAGING 314 GROUP COMBINED PRINT	1.000 EA
000613006PU	N/P (RELEASE QTY 10,000) UL CSA LABEL	1.000 EA

Accessories		
Part Number	Description	Multiplier
K36G2	C-FACE KIT	A8
085922068B	D-FLANGE BRKT 360 085922067WCA	P1

REL. S.O.	FRAME	HP	TYPE	PHASE/HERTZ	RPM	VOLTS
	365T	75	P	3/60	1780	230/460
AMPS	DUTY	AMB °C/ INSUL.	S.F.	NEMA DESIGN	CODE LETTER	ENCL.
171/85.9	CONT	40/F	1.15	B	G	FOXE
E/S	ROTOR	TEST S.O.	TEST DATE	STATOR RES. @25 °C (BETWEEN LINES)		
892211	418141043EE	---	---	.0210/.0843		

PERFORMANCE

LOAD	HP	AMPERES	RPM	POWER FACTOR %	EFFICIENCY %
NO LOAD	0	26.1	1800	3.86	0
1/4	18.8	33.4	1796	56.1	93.8
2/4	37.5	47.7	1791	77.0	95.7
3/4	56.2	65.8	1786	83.5	95.8
4/4	75.0	85.9	1781	85.6	95.4
5/4	93.8	107	1776	86.7	94.8

SPEED TORQUE

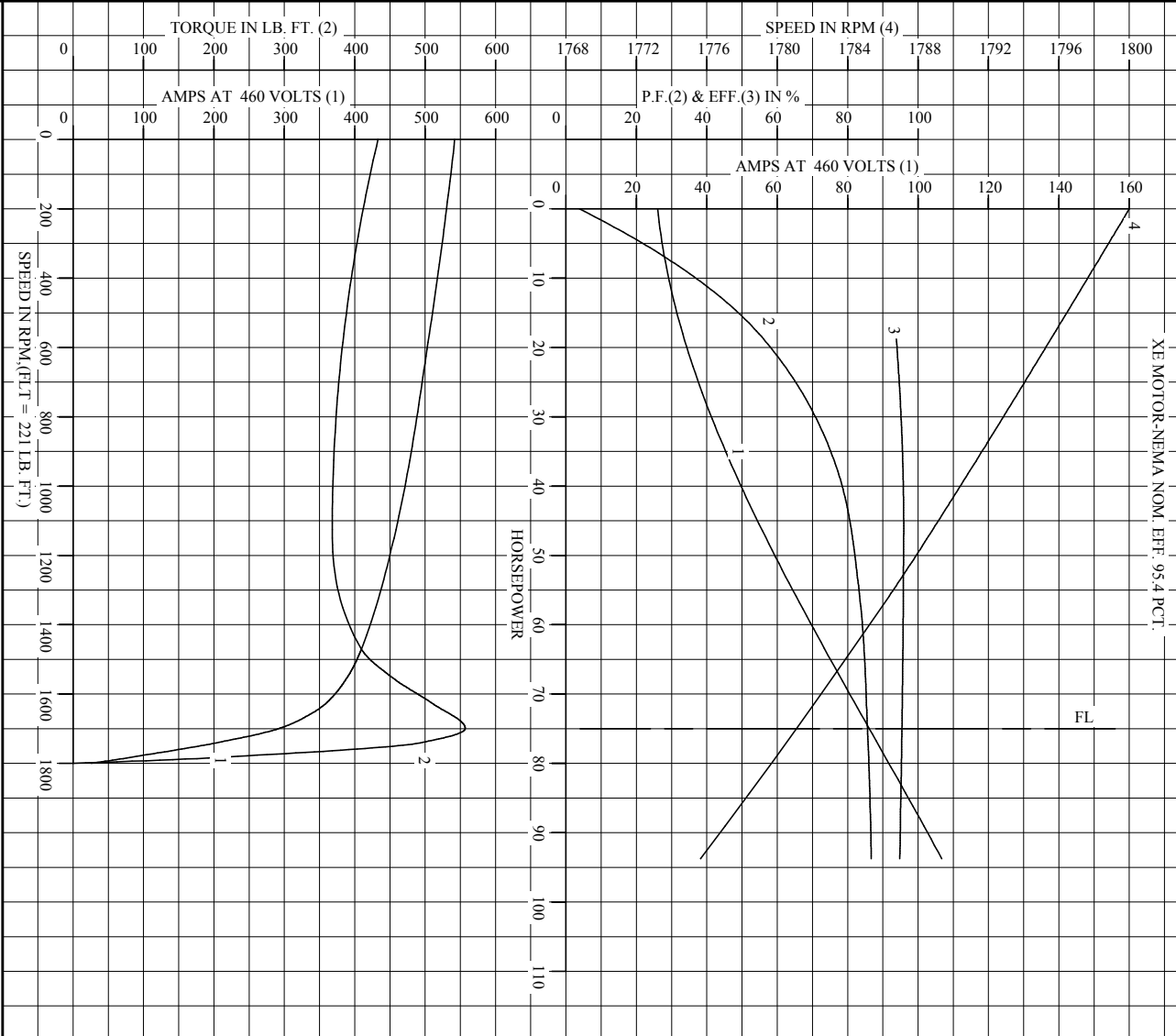
	RPM	TORQUE % FULL LOAD	TORQUE LB.-FT.	AMPERES
LOCKED ROTOR	0	196	433	542
PULL UP	1130	166	368	458
BREAKDOWN	1699	252	557	293
FULL LOAD	1781	100	221	85.9

AMPERES SHOWN FOR 460. VOLT CONNECTION. IF OTHER VOLTAGE CONNECTIONS ARE AVAILABLE, THE AMPERES WILL VARY INVERSELY WITH THE RATED VOLTAGE

REMARKS: CALCULATED DATA
XE MOTOR-NEMA NOM. EFF. 95.4 PCT.

BALDOR	DR. BY	W. L. SMITH	A-C MOTOR
	CK. BY	J. J. HARRISON	
	APP. BY	W. L. SMITH	PERFORMANCE DATA
	DATE	12/20/05	ISSUE DATE 12/20/05

REL S.O. _____ RPM 1780 S.F. 1.15 ROTOR 418141043EE
 FRAME 365T VOLTS 230/460 NEMA DESIGN B TEST S.O. CALCULATED DATA
 HP 75 AMPS 171/85.9 CODE LETTER G TEST DATE ---
 TYPE P DUTY CONT ENCLOSURE FCXE STATOR RES. @ 25 °C .0210/.0843
 PHASE/HERTZ 3/60 AMB °C/INSUL 40/F E/S 892211 OHMS (BETWEEN LINES)



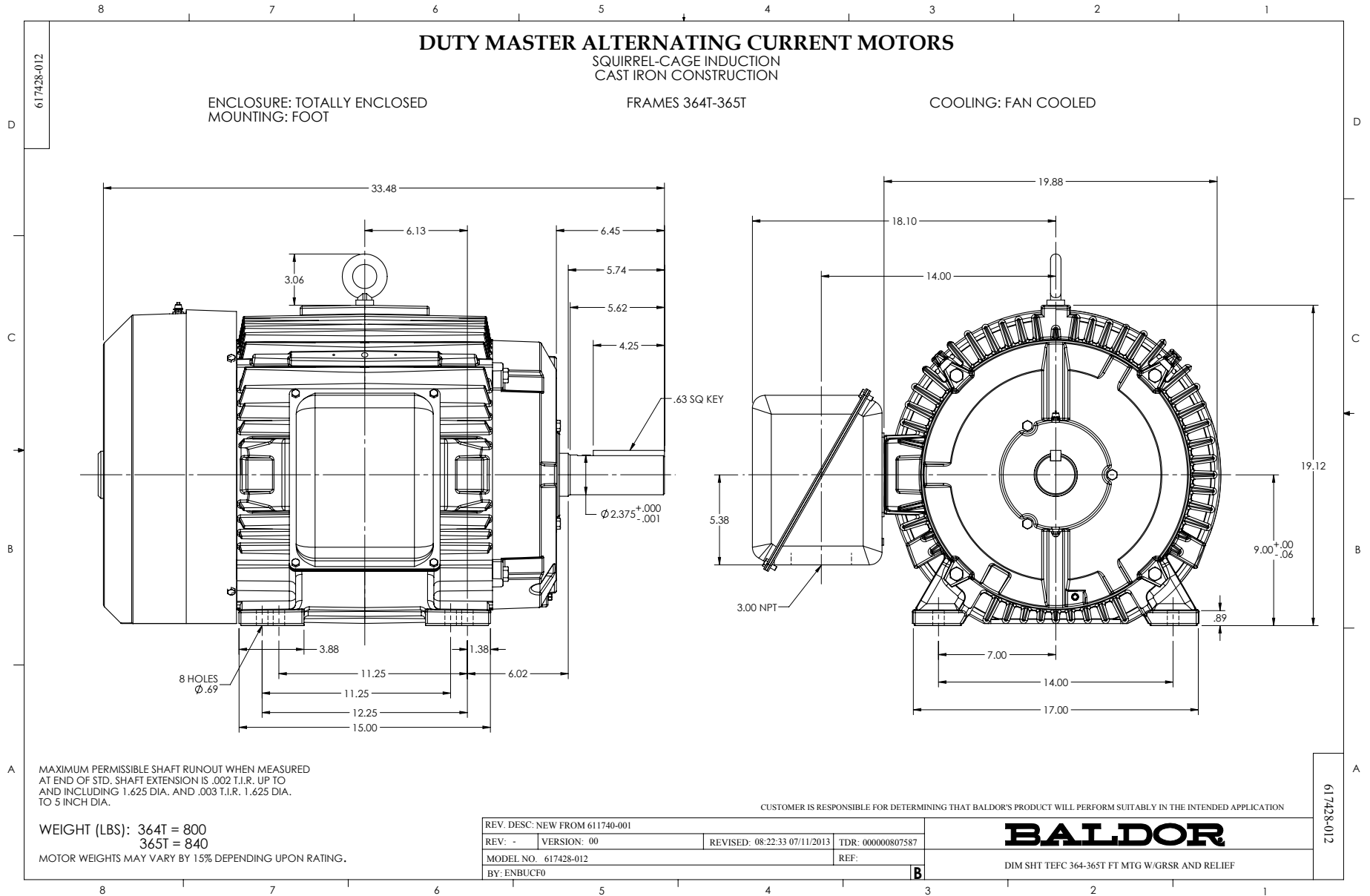
BALDOR

DR. BY W.L. SMITH
 CK. BY J.J. HARRISON
 APP. BY W.L. SMITH
 DATE 12/20/05

A-C MOTOR
PERFORMANCE
CURVES

A36WG1521-R001
 ISSUE DATE 12/20/05

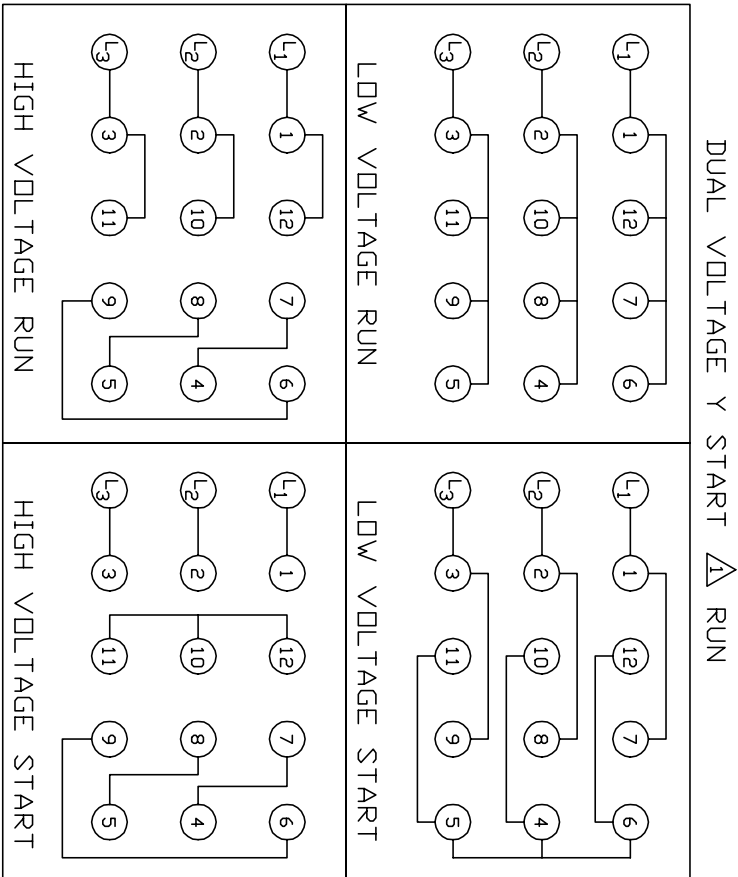
Printed on 2/3/11 5:45 @ usmghengdev1



416820-020

A-C MOTOR
CONNECTION DIAGRAM

416820-020



<410961-39/ 1575-AC>

CUSTOMER _____ CUSTOMER ORDER NO. _____ S. D. NO. _____

REV. DESC: LOADED TO BUS			
REV. LTR: A	VERSION: 01	TDR: 000000553773	
FILE: \RAG\00011\270		REVISED: 01:15:19 08/12/2010	
MTL: -		BY: RAGMTC	

BALDOR

A-C MOTOR CONNECTION DIAGRAM

SH 1 of 1