

BALDOR® • ***RELIANCE***

Product Information Packet

EM4410TS-4

125HP, 1785RPM, 3PH, 60HZ, 444TS, A44076M, TEF

Part Detail							
Revision:	L	Status:	PRD/A	Change #:		Proprietary:	No
Type:	AC	Prod. Type:	A44076M	Elec. Spec:	A44WG3870	CD Diagram:	416820-036
Enclosure:	TEFC	Mfg Plant:		Mech. Spec:		Layout:	617427-004
Frame:	444TS	Mounting:	F1	Poles:	04	Created Date:	08-13-2012
Base:		Rotation:	R	Insulation:	F	Eff. Date:	09-26-2016
Leads:	3#1/0					Replaced By:	
Literature:		Elec. Diagram:					

Nameplate NP2383L									
CAT.NO.	EM4410TS-4			SPEC NO.	P44G3904				
HP	125	AMPS	144	VOLTS	460	DESIGN	B		
FRAME	444TS	RPM	1785	HZ	60	AMB	40	SF	1.15
DRIVE END BEARING	90BC03J30X		PHASE	3	DUTY	CONT		INSUL.CLASS	F
OPP D.E. BEARING	90BC03J30X		TYPE	P	ENCL	TEFC	CODE	G	
SER.NO.				POWER FACTOR	85	NEMA-NOM-EFFICIENCY	95.4		
NEMA NOM/CSA QUOTED EFF				MAX CORR KVAR	27.0	GUARANTEED EFFICIENCY	94.5		
				MOTOR WEIGHT	2001				

Parts List		
Part Number	Description	Quantity
SA249399	SA P44G3904	1.000 EA
RA236264	RA P44G3904	1.000 EA
000692000FF	N/P	1.000 EA
000692000VD	LABEL WARNING	1.000 EA
NP2383L	SUPER-E ,SS, CC, CSA-C US, CSA EEV	1.000 EA
MG1000Y03	MUNSELL 2.53Y 6.70/ 4.60, GLOSS 20,	0.250 GA
004824015A	GREASE POLYREX EM	1.000 LB
032018004BK	HHCS 5/16-18X1/2 PLATED	3.000 EA
032018008BK	HHCS 5/16-18X1L PLATED	4.000 EA
032018008CK	HHCS 3/8-16X1L PLATED	4.000 EA
032018008DK	HHCS 1/2-13X1 PLATED	4.000 EA
032018020FK	HHCS 3/4-10X2-1/2 PLTD.	4.000 EA
032018020FK	HHCS 3/4-10X2-1/2 PLTD.	4.000 EA
032018030DK	HHCS 1/2-13X3-3/4 PLTD.	3.000 EA
032018030DK	HHCS 1/2-13X3-3/4 PLTD.	3.000 EA
032620016LA	SOCKET SET SCREW-449	3.000 EA
033512004LB	HHTTS 1/4-20X1/2 PLTD.	1.000 EA
033775004EA	DRSCR #6-1/4 304 S.S.	2.000 EA
034017013AB	LCKW 5/16 STD. PLATED	3.000 EA
034017014AB	LCKW 3/8 STD. PLATED	4.000 EA
034180014DA	KEY 1/4X1/4X1-3/4 L	1.000 EA
034180024HA	KEY 5/8X5/8X3 L	1.000 EA
604797045	STD. 400 FRAME SKID	1.000 EA
000613006PU	N/P (RELEASE QTY 10,000) UL CSA LABEL	1.000 EA

Parts List (continued)		
Part Number	Description	Quantity
034530072AB	P/NIP 1/8X9"L Threaded both ends	1.000 EA
034530044AB	P/NIP 1/8X5-1/2L GALV.	1.000 EA
034530044BB	P/NIP 1/4X5-1/2L PLT	1.000 EA
034530072BB	PIPE NIPPLE,DE - 440-BS	1.000 EA
034630002AB	CPLG 1/4" PLATED	1.000 EA
034630002AB	CPLG 1/4" PLATED	1.000 EA
034690002AB	"unbulked" PPLG 1/4" PLTD.	1.000 EA
034690002AB	"unbulked" PPLG 1/4" PLTD.	1.000 EA
034690005AB	PPLG 3/4 PLATED	2.000 EA
083199126RA	G28 MOLDED FAN COVER W/BAFFLE ASSEMBLY	1.000 EA
035000001A	ALFTG 1/8" 1610-BL	1.000 EA
035000001A	ALFTG 1/8" 1610-BL	1.000 EA
067053001C	GASK 440	1.000 EA
076863000C	+CBCST BLKT - 440	1.000 EA
076864000A	CB CVRCST BLKT - 440	1.000 EA
078548001R	FAN KB 234/150 (84) 400	1.000 EA
415915007G	GASK, LAC	1.000 FT
089490099A	G28 BRKT 089490098WCA KB	1.000 EA
089490099A	G28 BRKT 089490098WCA KB	1.000 EA
406056007A	GASKET, 440	1.000 EA
406099000A	PLUG - FAN COVER 320-440	1.000 EA
410700004A	WSHR	1.000 EA
412118006A	DRAIN	1.000 EA
412118006A	DRAIN	1.000 EA

Product Information Packet: EM4410TS-4 - 125HP,1785RPM,3PH,60HZ,444TS,A44076M,TEF

415000103D	T/LUG #4AWG-1/0AWG W/HOLE FOR .250 BOLT	1.000 EA
415045002A	SLGR	1.000 EA
415045002A	SLGR	1.000 EA
415072001B	CLAMP	1.000 EA
415096002A	CPLG 1/8 HEX TYPE	1.000 EA
415096002A	CPLG 1/8 HEX TYPE	1.000 EA
418150003A	GREASE FITTING CAP	1.000 EA
418151014G	RETAIN RING	1.000 EA
702623013A	THERMAL BARRIER -- G28 -- BRACKET MTD	1.000 EA
418150003A	GREASE FITTING CAP	1.000 EA

Accessories		
Part Number	Description	Multiplier
089490106A	G28 C-FACE BRKT MACH-6318 089490105WCA	P1
089490110A	D-FLANGE BRKT, G28 089490109WCA	P1

REL. S.O.	FRAME	HP	TYPE	PHASE/ HERTZ	RPM	VOLTS
	444T	125	P	3/60	1785	460
AMPS	DUTY	AMB °C/ INSUL.	S.F.	NEMA DESIGN	CODE LETTER	ENCL.
144	CONT	40/F	1.15	B	G	TEFC
E/S	ROTOR	TEST S.O.	TEST DATE	STATOR RES. @25 °C OHMS (BETWEEN LINES)		
498834	0	---	---	.0383		

PERFORMANCE

LOAD	HP	AMPERES	RPM	POWER FACTOR %	EFFICIENCY %
NO LOAD	0	44.8	1800	3.97	0
1/4	31.3	61.3	1796	51.1	93.4
2/4	62.5	83.8	1792	73.0	95.5
3/4	93.7	112	1788	81.7	95.8
4/4	125	144	1784	85.3	95.5
5/4	156	178	1780	86.6	95.0

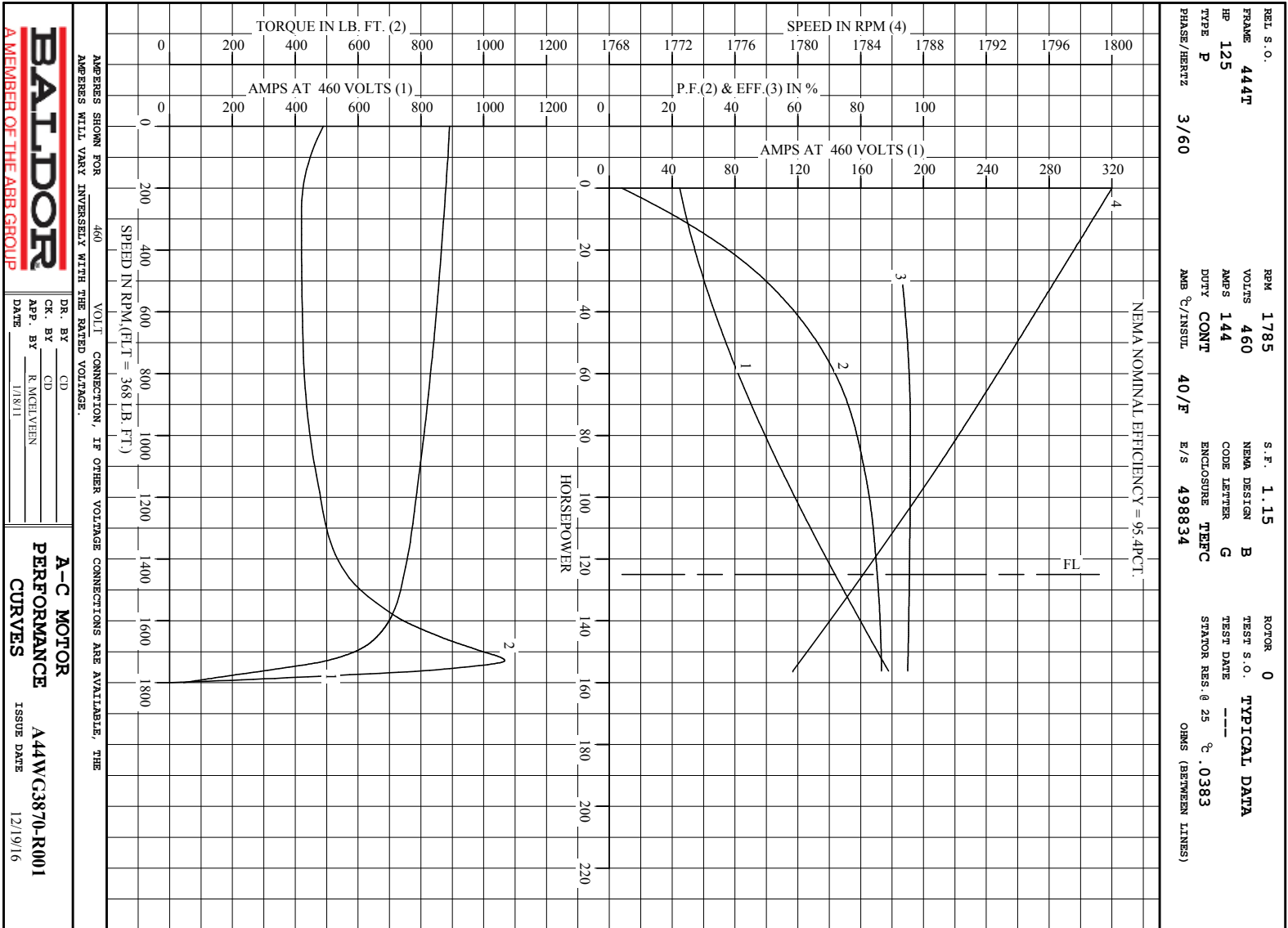
SPEED TORQUE

	RPM	TORQUE % FULL LOAD	TORQUE LB.-FT.	AMPERES
LOCKED ROTOR	0	133	489	892
PULL UP	270	114	420	875
BREAKDOWN	1729	290	1067	500
FULL LOAD	1784	100	368	144

AMPERES SHOWN FOR 460. VOLT CONNECTION. IF OTHER VOLTAGE CONNECTIONS ARE AVAILABLE, THE AMPERES WILL VARY INVERSELY WITH THE RATED VOLTAGE

REMARKS: TYPICAL DATA
NEMA NOMINAL EFFICIENCY = 95.4PCT.

 A MEMBER OF THE ABB GROUP	DR. BY	CD	A-C MOTOR PERFORMANCE DATA A44WG3870-R001 ISSUE DATE 12/19/16
	CR. BY	CD	
	APP. BY	R. McELVERN	
	DATE	1/18/11	

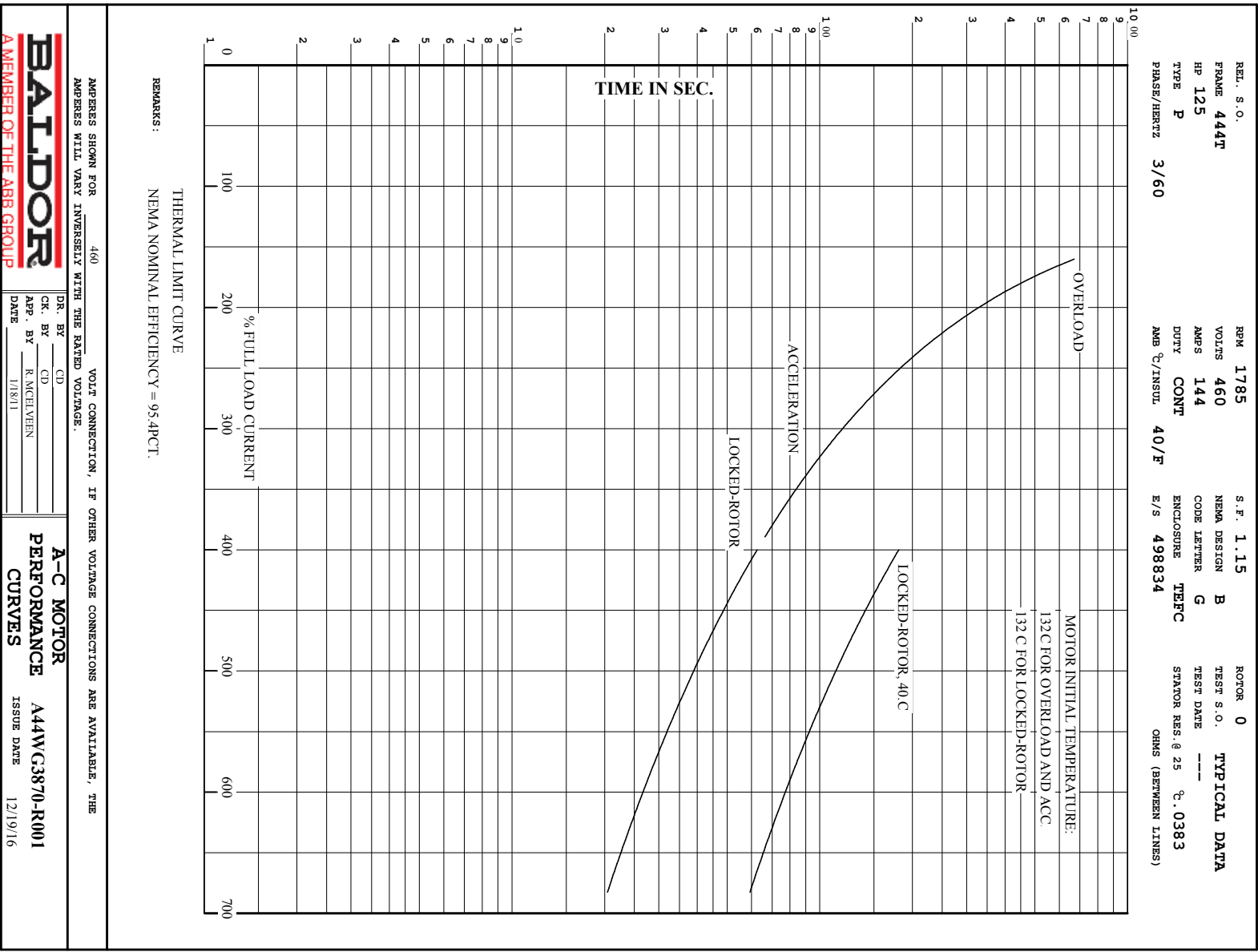


BALDOR
A MEMBER OF THE ABB GROUP

DR. BY _____
CD _____
App. BY R. MCELVERN
DATE 1/18/11

A-C MOTOR
PERFORMANCE
CURVES
A44WC3870-R001
ISSUE DATE 12/19/16

Printed on 12/19/16 17:17 @ bengap01.baldor.com



BALDOR
A MEMBER OF THE ABB GROUP

DR. BY	CD
CK. BY	CD
APP. BY	R. MCELVERN
DATE	1/8/11

A-C MOTOR

PERFORMANCE CURVES

A44W/G3870-R001
ISSUE DATE 12/19/16

617427-004

DUTY MASTER ALTERNATING CURRENT MOTORS

SQUIRREL-CAGE INDUCTION

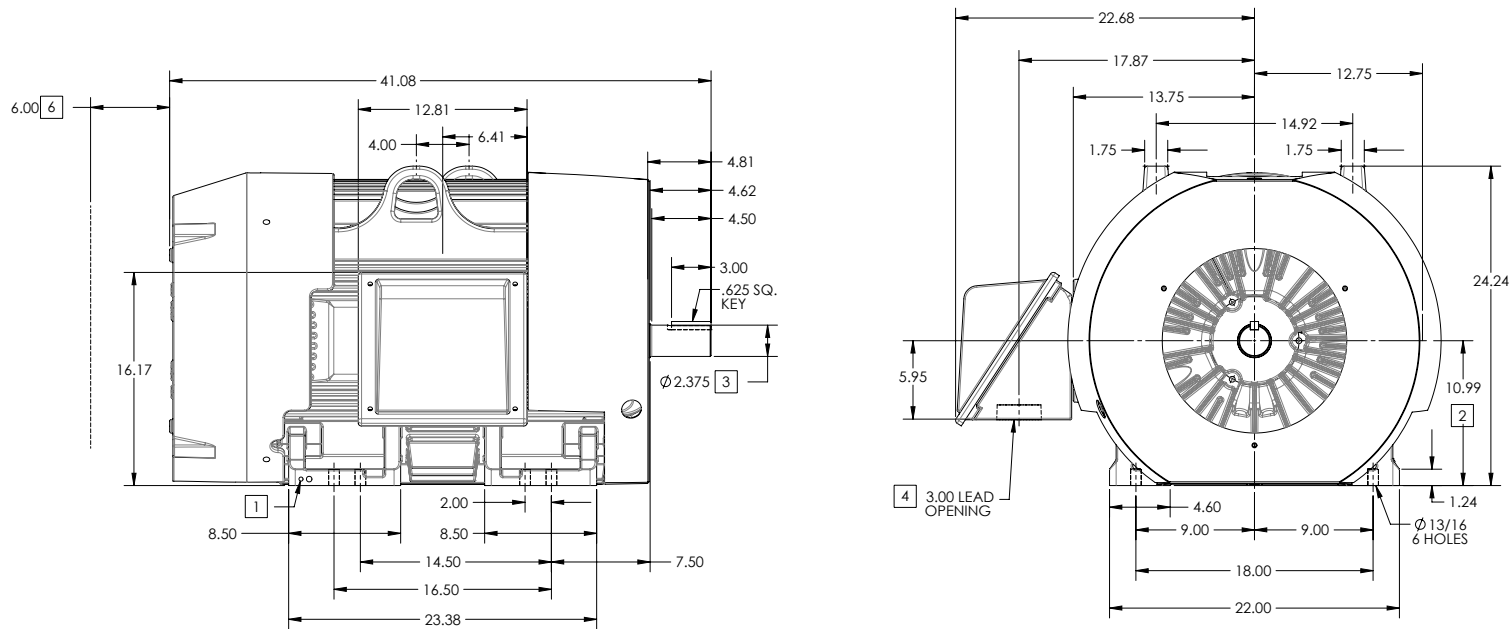
ENCLOSURE: TOTALLY ENCLOSED

FRAME G445TS ABOVE NEMA RATINGS

COOLING: FAN COOLED

MOUNTING: FOOT

INCLUDES 444TS FRAME MOUNTING HOLES



1. GROUND HOLES QTY 1 1/2-13 TAP; QTY 1 3/8-16 TAP
2. VARIES +.00,-.06
3. VARIES +.00,-.001
4. ON STANDARD MOTORS THIS IS CONDUIT SIZE. ON XT AND CORROSION PROOF MOTOR THIS IS PIPE TAP.
5. MOTOR WEIGHTS MAY VARY BY 1.5% DEPENDING ON RATING.
6. OBSTRUCTION MUST NO ENCROACH ON AIR INLET

CONDUIT BOX LOCATED ON OPPOSITE SIDE WHEN F-2.
IF MOUNTING CLEARANCE DETAILS ARE REQUIRED, CONSULT FACTORY.
MAXIMUM PERMISSIBLE SHAFT RUNOUT WHEN MEASURED AT END OF STANDARD SHAFT EXTENSION IS .003" T.I.R. TO 5 INCH DIA.

5 WEIGHT (LBS): 2100

DRIVE END AIR DEFLECTOR IS ONLY INCLUDED WHEN NECESSARY.

DIMENSIONS ARE IN INCHES; SEE SHEET 2 FOR DIMENSIONS IN MILLIMETERS

CUSTOMER IS RESPONSIBLE FOR DETERMINING THAT MOTOR PERFORMANCE IS SUITABLE IN THE APPLICATION.

SHEET NUMBER
1 OF 2

0007-2727-19

REV. DESC-ADJUSTED OVERALL LENGTH DIMENSION			
REV: D	VERSION: 04	REVISED-01-45-46 09/09/2013	TDR: 00000816614
MODEL NO. 617427-004		REF:	
BY: RAGSSI	Material:	C	

BALDOR

G445TS-444TS STD - FOOTED - SIDE-CENTER C/B

617427-004

617427-004

DUTY MASTER ALTERNATING CURRENT MOTORS

SQUIRREL-CAGE INDUCTION

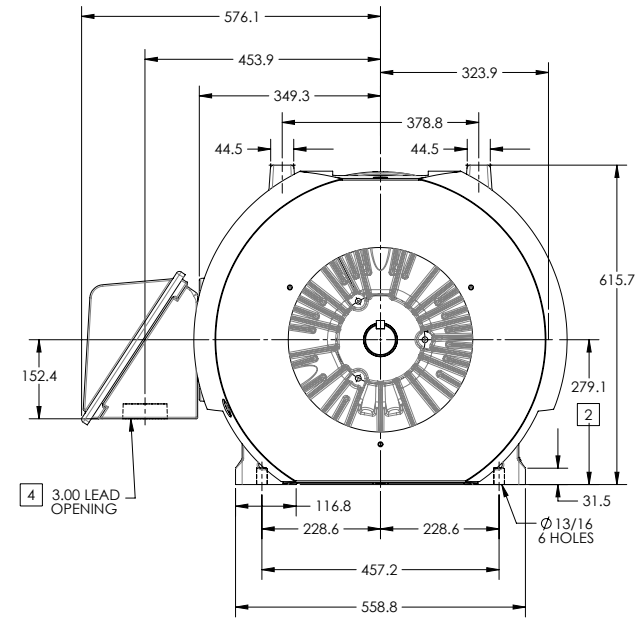
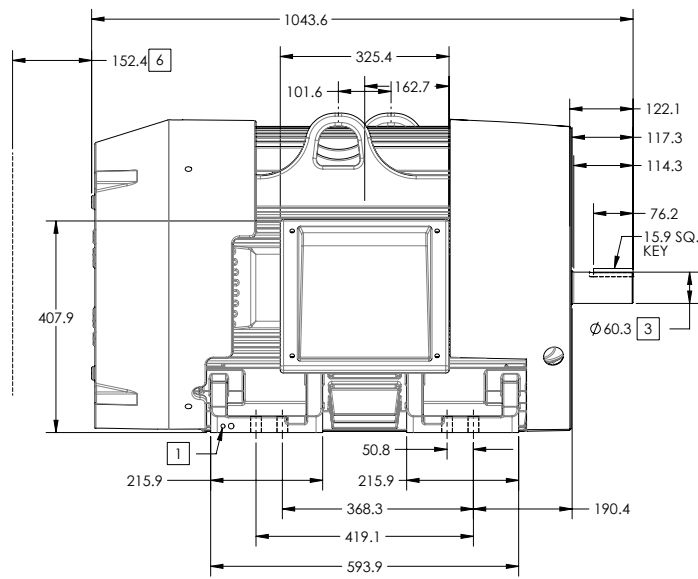
ENCLOSURE: TOTALLY ENCLOSED

FRAME G445TS ABOVE NEMA RATINGS

COOLING: FAN COOLED

MOUNTING: FOOT

INCLUDES 444TS FRAME MOUNTING HOLES



1. GROUND HOLES QTY 1 1/2-13 TAP; QTY 1 3/8-16 TAP
2. VARIES +.00,-.06
3. VARIES +.00,-.001
4. ON STANDARD MOTORS THIS IS CONDUIT SIZE. ON XT AND CORROSION PROOF MOTOR THIS IS PIPE TAP.
5. MOTOR WEIGHTS MAY VARY BY 15% DEPENDING ON RATING.
6. OBSTRUCTION MUST NO ENCROACH ON AIR INLET

CONDUIT BOX LOCATED ON OPPOSITE SIDE WHEN F-2.
IF MOUNTING CLEARANCE DETAILS ARE REQUIRED, CONSULT FACTORY.
MAXIMUM PERMISSIBLE SHAFT RUNOUT WHEN MEASURED AT END OF STANDARD SHAFT EXTENSION IS .08 MM T.I.R. TO 127 MM DIA.

[5] WEIGHT (KGS): 950

DRIVE END AIR DEFLECTOR IS ONLY INCLUDED WHEN NECESSARY.

DIMENSIONS ARE IN MILLIMETERS; SEE SHEET 1 FOR DIMENSIONS IN INCHES

CUSTOMER IS RESPONSIBLE FOR DETERMINING THAT MOTOR PERFORMANCE IS SUITABLE IN THE APPLICATION.

SHEET NUMBER
2 OF 2

1007-2727-119

REV. D	VERSION: 04	REVISED-01-45-46-09-09-2013	TDR: 000000816614
MODEL NO.	617427-004	REF:	
BY: RAGSSI	Material:		

BALDOR

G445TS-444TS STD - FOOTED - SIDE-CENTER C/B

617427-004

416820-036

A-C MOTOR
 CONNECTION DIAGRAM
 STANDARD 3 LEAD CONNECTED



(N.P. 1575-BA)

416820-036

REV. DESC: LOADED TO BUS, C/R 335225		
REV. LTR: -	VERSION: 00	TDR: 000000538207
FILE: \MGA\00000\682	REVISED: 11:54:06 04/30/2010	
MTL: -	BY: RAGRA	

BALDOR

CONN DIAG - STANDARD 3 LEAD

SH 1 of 1