

BALDOR® • ***RELIANCE***

Product Information Packet

EM7047T-I

7.5//5HP,1770//1475RPM,3PH,60//50HZ,213T

Part Detail							
Revision:	-	Status:	PRD/A	Change #:		Proprietary:	No
Type:	AC	Prod. Type:	3738M	Elec. Spec:	37WGR872	CD Diagram:	CD0005
Enclosure:	XPFC	Mfg Plant:		Mech. Spec:	37H721	Layout:	37LYH721
Frame:	213T	Mounting:	F1	Poles:	04	Created Date:	12-09-2015
Base:	RG	Rotation:	R	Insulation:	F	Eff. Date:	12-14-2015
Leads:	9#14					Replaced By:	
Literature:		Elec. Diagram:					

Nameplate NP0977XPSLEV											
NO.						CC	010A				
SER.							TEMP CODE	T3C			
SPEC.	37H721R872G1										
CAT.NO.	EM7047T-I										
HP	7.5//5										
VOLTS	230/460//190/380										
AMPS	19/9.5//16.2/8.1										
RPM	1770//1475					MOTOR WEIGHT	163				
HERTZ	60//50	PH	3	CL	F	DE BRG	6307				
SER.F.	1.15	DES	A	CODE	J	ODE BRG	6206				
FRAME	213T	GREASE					POLYREX EM				
RATING	40C AMB-CONT 55C AMB AT 1.0 SF										
USABLE AT 208V	20	NEMA-NOM-EFF					91.7	PF	80		
	NEMA MG-1 PT 5,IP55										

Parts List		
Part Number	Description	Quantity
SA311601	SA 37H721R872G1	1.000 EA
RA299026	RA 37H721R872G1	1.000 EA
37FN3002C01	EXFN, PLASTIC, 6.00 OD, 1.155 ID	1.000 EA
37CB1005A02	CONDUIT BOX-MACH-EXPL.PROOF-GROUP "C" MTR	1.000 EA
11XW1032G06	10-32 X .38, TAPTITE II, HEX WSHR SLTD U	1.000 EA
HW3001B01	BRASS CUP WASHER, FOR #8 SCREW	1.000 EA
37EP1715A04	FR EP XPFC, GROUP "C" MTRS W/SPL DRAIN	1.000 EA
HW4500A19	1/4-28X1/4 SLOTTED PLUG F/S	2.000 EA
HW4506A02	BREATHER/DRAIN-EXP PROOF-.125-27 NPTF AI	1.000 EA
HW3022E05	.125 DIA X .500 ROLLED SPRING PIN	1.000 EA
HW5100A06	W2420-025 WVY WSHR (WB)	1.000 EA
37EP1714A03	PU EP XPFC-GROUP "C" MTRS W/SPL DRAIN	1.000 EA
HW4500A19	1/4-28X1/4 SLOTTED PLUG F/S	2.000 EA
HW4506A02	BREATHER/DRAIN-EXP PROOF-.125-27 NPTF AI	1.000 EA
HW3022E05	.125 DIA X .500 ROLLED SPRING PIN	1.000 EA
37FH4000A09	FAN COVER, W/ PRIMER	1.000 EA
51XW1032A06	10-32 X .38, TAPTITE II, HEX WSHR SLTD S	3.000 EA
37CB1502A01	CONDUIT BOX LID-MACH-EXPL.PROOF-GROUP "C"	1.000 EA
RM1020A42	O-RING, -154 BUNA-N, .103 CS X 3.737 ID	2.000 EA
HA2065A02	SLINGER, ALUM MODLE 36 & 37 DRILL RIG MT	1.000 EA
80XN1032A07	SET SCREW, HEX XOCK, ZN	1.000 EA
HW2501F21	KEY, 5/16 SQ X 2.375	1.000 EA
HA7000A02	KEY RETAINER RING, 1 1/8 DIA, 1 3/8 DIA	1.000 EA
85XU0407S04	4X1/4 U DRIVE PIN STAINLESS	6.000 EA

Parts List (continued)		
Part Number	Description	Quantity
LB1115N	LABEL,LIFTING DEVICE (ON ROLLS)	1.000 EA
LB1359F	ALUM XP CAUTION LABEL	1.000 EA
MJ1000A02	GREASE, POLYREX EM EXXON (USe 4824-15A)	0.050 LB
MG1025G29	WILKOFASST, 789.229, DARK CHARCOAL GRAY	0.028 GA
51XB1214A20	12-14X1.25 HXWSSLD SERTYB	1.000 EA
HA3106A04	THRUBOLT- 1/2-13 X 12.625	4.000 EA
LB1119N	WARNING LABEL	1.000 EA
LC0145B01	CONNECTION LABEL	1.000 EA
NP0977XPSLEV	SS XP UL CSA-EEV CC CL-I GP-C&D	1.000 EA
37PA1039	PALLET PACK GRP, PRINT PK1026A06	1.000 EA
MN416A01	TAG-INSTAL-MAINT no wire (1000/bx) 11/14	1.000 EA

AC Induction Motor Performance Data

Record # 54308 - Typical performance - not guaranteed values

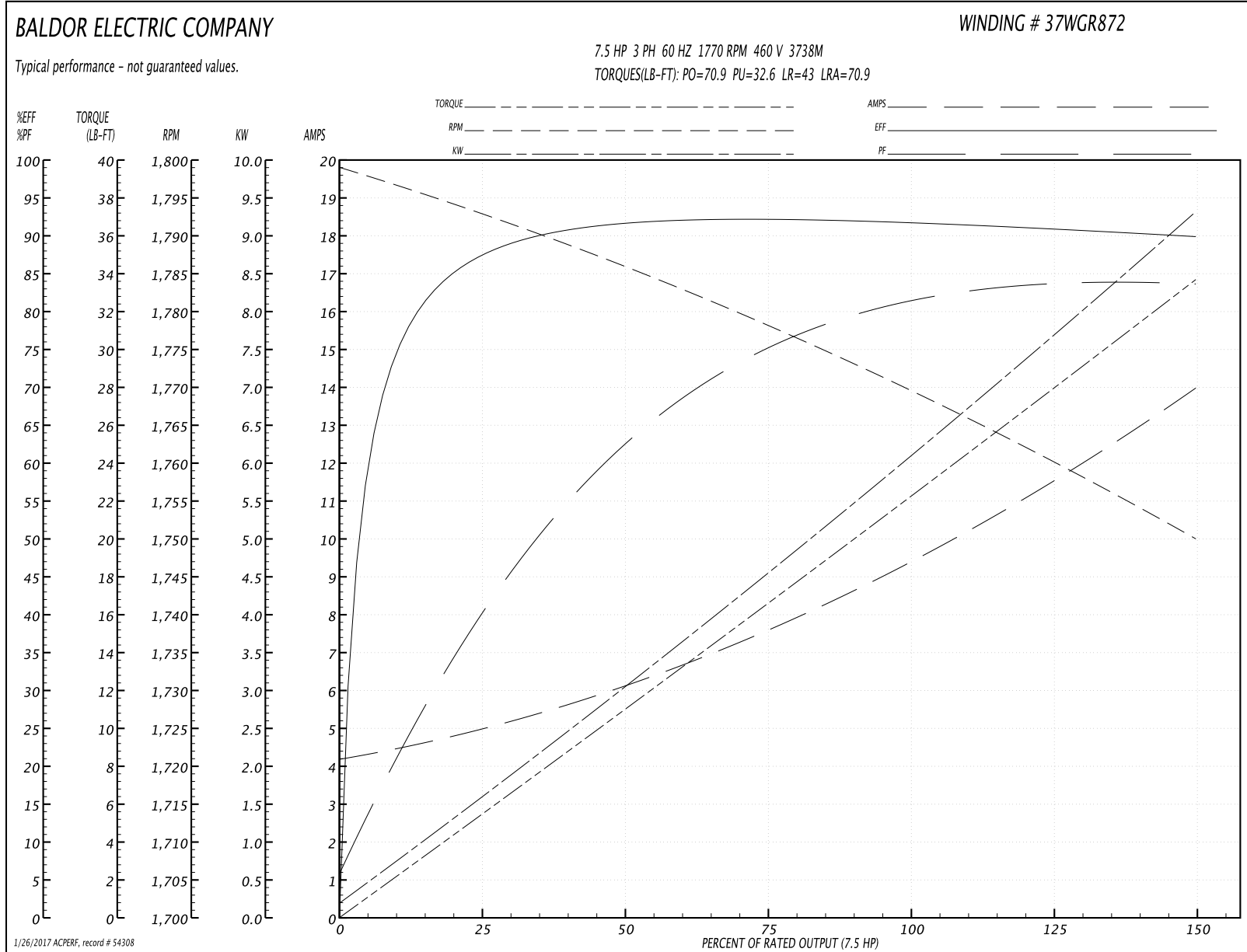
Winding: 37WGR872-R004	Type: 3738M	Enclosure: XPFC
-------------------------------	--------------------	------------------------

Nameplate Data				460 V, 60 Hz: High Voltage Connection	
Rated Output (HP)	7.5//5			Full Load Torque	22.2 LB-FT
Volts	230/460//190/380			Start Configuration	direct on line
Full Load Amps	19/9.5//16.2/8.1			Breakdown Torque	70.9 LB-FT
R.P.M.	1770//1475			Pull-up Torque	32.6 LB-FT
Hz	60//50	Phase	3	Locked-rotor Torque	43 LB-FT
NEMA Design Code	A	KVA Code	J	Starting Current	70.9 A
Service Factor (S.F.)	1.15			No-load Current	4.31 A
NEMA Nom. Eff.	91.7	Power Factor	80	Line-line Res. @ 25°C	1.41 Ω
Rating - Duty	40C AMB-CONT			Temp. Rise @ Rated Load	63°C
S.F. Amps				Temp. Rise @ S.F. Load	77°C
				Locked-rotor Power Factor	37.2
				Rotor inertia	0.934 LB-FT ²

Load Characteristics 460 V, 60 Hz, 7.5 HP

% of Rated Load	25	50	75	100	125	150	S.F.
Power Factor	42	64	75	80	83	84	82
Efficiency	87.1	91.6	92	92	91.1	89.8	91.5
Speed	1793	1786	1778	1770	1760	1750	1764
Line amperes	4.83	6.02	7.6	9.5	11.6	13.9	10.8

Performance Graph at 460V, 60Hz, 7.5HP Typical performance - Not guaranteed values



1/26/2017 ACPERF, record # 54308

AC Induction Motor Performance Data

Record # 54309 - Typical performance - not guaranteed values

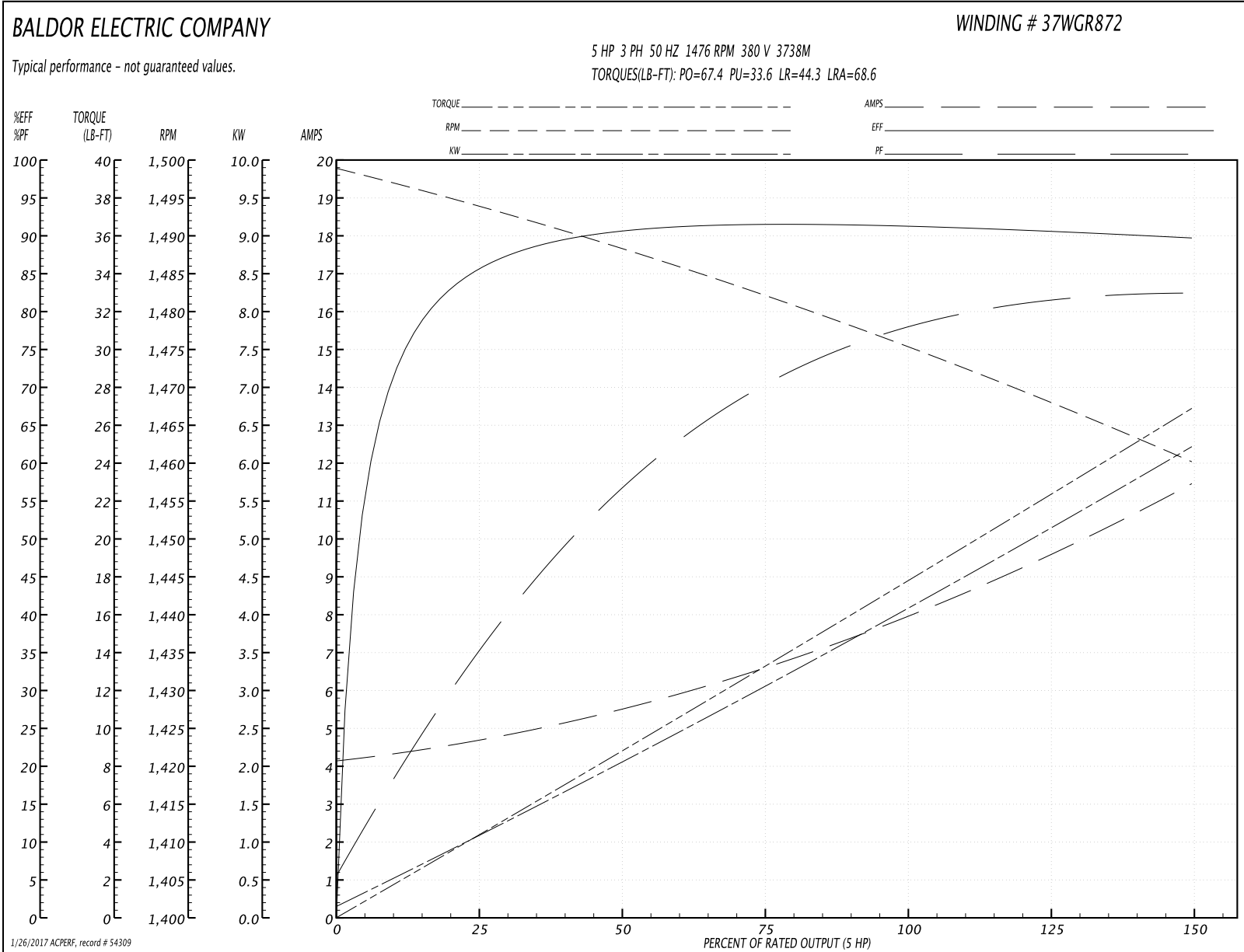
Winding: 37WGR872-R004	Type: 3738M	Enclosure: XPFC
-------------------------------	--------------------	------------------------

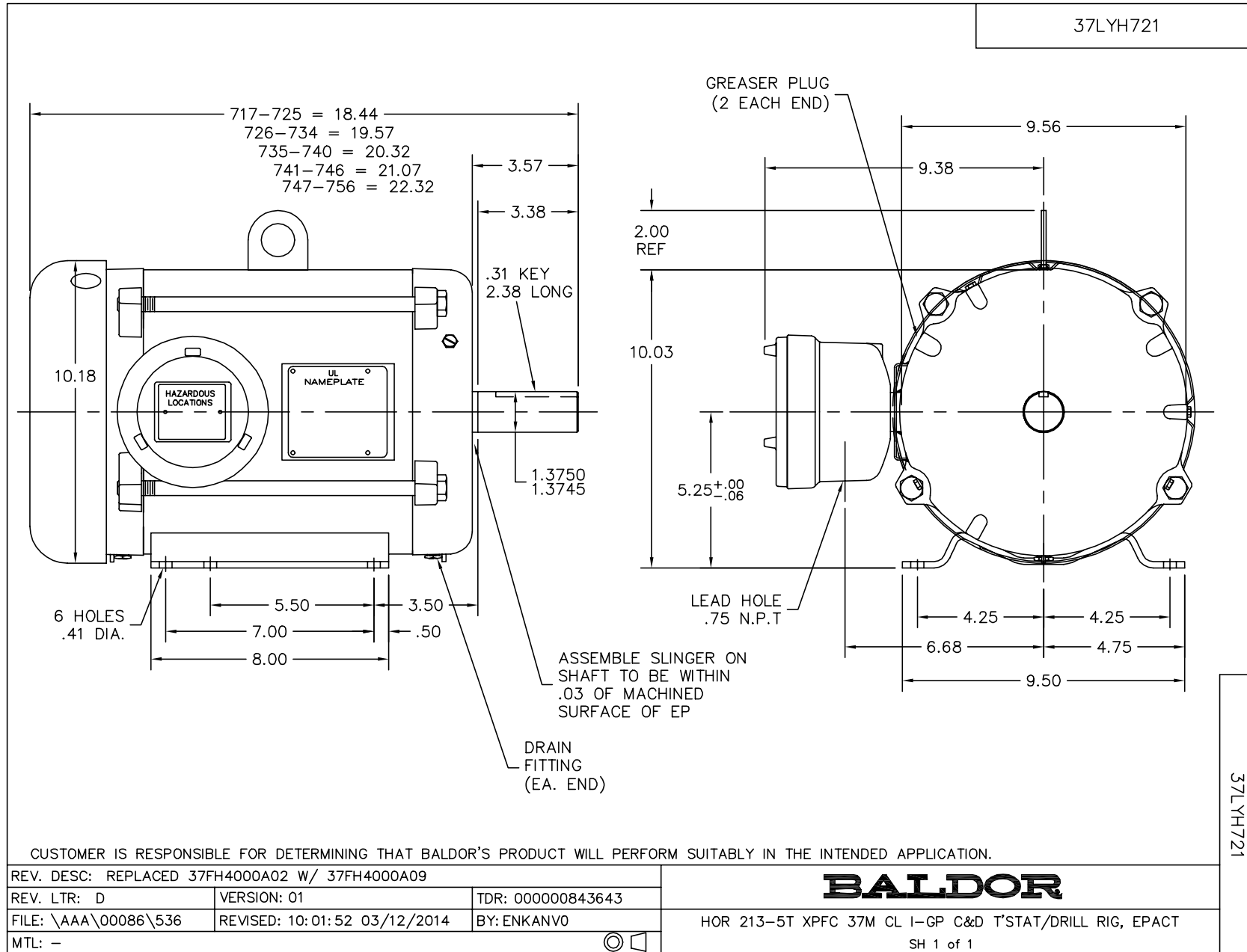
Nameplate Data				380 V, 50 Hz: High Voltage Connection	
Rated Output (HP)	7.5//5			Full Load Torque	17.7 LB-FT
Volts	230/460//190/380			Start Configuration	direct on line
Full Load Amps	19/9.5//16.2/8.1			Breakdown Torque	67.4 LB-FT
R.P.M.	1770//1475			Pull-up Torque	33.6 LB-FT
Hz	60//50	Phase	3	Locked-rotor Torque	44.3 LB-FT
NEMA Design Code	A	KVA Code	J	Starting Current	68.6 A
Service Factor (S.F.)	1.15			No-load Current	4.23 A
NEMA Nom. Eff.	91.7	Power Factor	80	Line-line Res. @ 25°C	1.41 Ω
Rating - Duty	40C AMB-CONT			Temp. Rise @ Rated Load	49°C
S.F. Amps				Temp. Rise @ S.F. Load	59°C
				Locked-rotor Power Factor	41.5
				Rotor inertia	0.934 LB-FT ²

Load Characteristics 380 V, 50 Hz, 5 HP

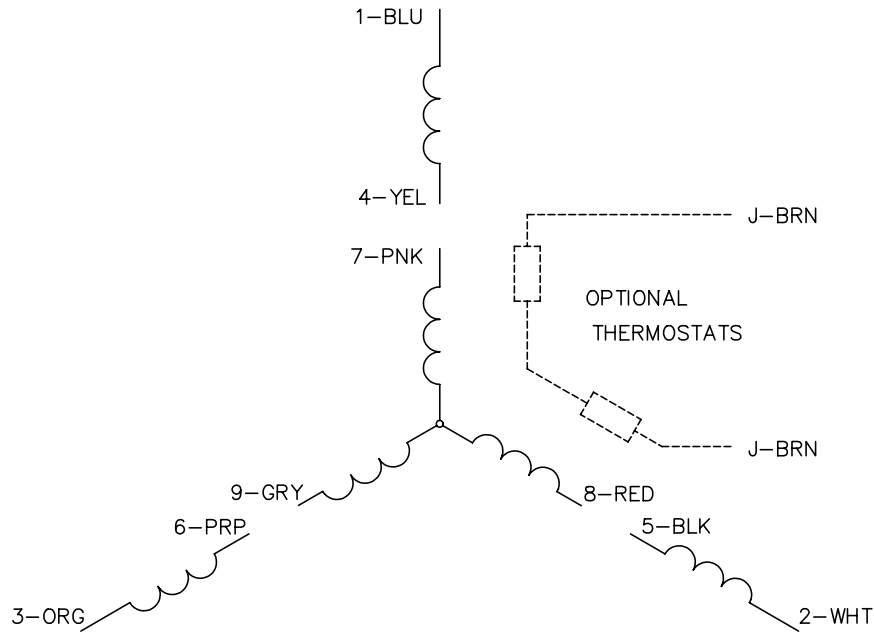
% of Rated Load	25	50	75	100	125	150	S.F.
Power Factor	36	58	70	77	81	83	79
Efficiency	85.3	90.6	91.4	91.3	90.9	89.6	91.1
Speed	1494	1488	1482	1476	1468	1460	1471
Line amperes	4.58	5.44	6.59	8.03	9.64	11.4	9

Performance Graph at 380V, 50Hz, 5.0HP Typical performance - Not guaranteed values





CD0005

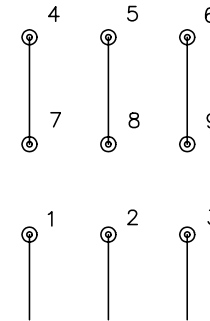


LOW VOLTAGE
(2Y)



LINE

HIGH VOLTAGE
(1Y)



LINE

NOTES:

1. INTERCHANGE ANY TWO LINE LEADS TO REVERSE ROTATION.
2. OPTIONAL THERMOSTATS ARE PROVIDED WHEN SPECIFIED.
3. ACTUAL NUMBER OF INTERNAL PARALLEL CIRCUITS MAY BE A MULTIPLE OF THOSE SHOWN ABOVE.
4. LEAD COLORS ARE OPTIONAL. LEADS MUST ALWAYS BE NUMBERED AS SHOWN.

REV. DESC: REVISE TO SHOW OPTIONAL COLORS			
REV. LTR: E	BY: JLP	REVISED: 01/19/99 10:15	TDR: 0171435
900000		FILE: AAA00005140	MDL: -
		MTL: -	

BALDOR ELECTRIC Co.

3PH, DV, 9 LEADS

CD0005