

BALDOR® • ***RELIANCE***

Product Information Packet

EM7053T-I-5

15HP,3530RPM,3PH,60HZ,254T,0934M,XPFC,F1

Part Detail							
Revision:	K	Status:	PRD/A	Change #:		Proprietary:	No
Type:	AC	Prod. Type:	0934M	Elec. Spec:	09WGT021	CD Diagram:	CD0006
Enclosure:	XPFC	Mfg Plant:		Mech. Spec:	09F369	Layout:	09LYF369
Frame:	254T	Mounting:	F1	Poles:	02	Created Date:	11-20-2013
Base:	RG	Rotation:	R	Insulation:	F	Eff. Date:	01-13-2017
Leads:	3#12					Replaced By:	
Literature:		Elec. Diagram:					

Nameplate NP0977XPSLEV										
NO.							CC	010A		
SER.								TEMP CODE	T3C	
SPEC.	09F369T021G1									
CAT.NO.	EM7053T-I-5									
HP	15 NEMA MG-1 PT.5,IP55									
VOLTS	575									
AMPS	13.7									
RPM	3530						MOTOR WEIGHT	349		
HERTZ	60		PH	3	CL	F	DE BRG	6309		
SER.F.	1.15		DES	B	CODE	H	ODE BRG	6208		
FRAME	254T		GREASE		POLYREX EM					
RATING	40C AMB-CONT									
USABLE AT 208V					NEMA-NOM-EFF	91		PF	88	
	55C AMB @ 1.0 SF,60C RISE									

Parts List		
Part Number	Description	Quantity
SA272659	SA 09F369T021G1	1.000 EA
RA259265	RA 09F369T021G1	1.000 EA
37FN3002C02	EXFN, PLASTIC, 6.00 OD, 1.500 ID	1.000 EA
MJ5000A01	SEALANT, CHICO A COMPOUND	0.050 LB
09CB1003A01	CONDUIT BOX MACH. GROUP C MTRS	1.000 EA
10XN3118K24	5/16-18 X 1.50" HEX HD, GRADE 5	4.000 EA
HW1001A31	LOCKWASHER 5/16, ZINC PLT.591 OD, .319 I	4.000 EA
09EP1700A33E	FR ENDPLATE, MACH, XPFC W/E-COAT	1.000 EA
WD1000B25	GND LUG, BURNDY L125HP OR T&B L125HP-BB	1.000 EA
10XN3118K12	5/16-18 X .75 GRADE 5, ZINC PLATED	1.000 EA
HW1001A31	LOCKWASHER 5/16, ZINC PLT.591 OD, .319 I	1.000 EA
HW3023E06	.125 X .625 SPIRAL SPRING PIN	1.000 EA
10XN3816K28	3/8-16 X 1.75 HEX HD CAP SCREW, GRADE 5	4.000 EA
HW1001A38	LOCKWASHER 3/8, ZINC PLT .688 OD, .382 I	4.000 EA
HW5100A08	W3118-035 WVY WSHR (WB)	1.000 EA
10XN2520K36	1/4-20 X 2.25" HX HD SCRWGRADE 5, ZINC P	4.000 EA
HW1001A25	LOCKWASHER 1/4, ZINC PLT .493 OD, .255 I	4.000 EA
09EP1707A16E	PU E.P., MACH. W/E-COAT	1.000 EA
HW3023E06	.125 X .625 SPIRAL SPRING PIN	1.000 EA
10XN3816K28	3/8-16 X 1.75 HEX HD CAP SCREW, GRADE 5	4.000 EA
HW1001A38	LOCKWASHER 3/8, ZINC PLT .688 OD, .382 I	4.000 EA
09FH1004A03	FAN COVER, MACH	1.000 EA
10XN2520K12	1/4-20 X.75 GRD 5	3.000 EA
HW1001A25	LOCKWASHER 1/4, ZINC PLT .493 OD, .255 I	3.000 EA

Parts List (continued)		
Part Number	Description	Quantity
HA2066A01	SLINGER, ALUM (AUTO)	1.000 EA
80XN1032A07	SET SCREW, HEX XOCK, ZN	1.000 EA
09CB1502A01	CONDUIT BOX LID MACH. GROUP C MTRS	1.000 EA
84XN5013J24	1/2-13 X 1-1/2 HEX SOCKET HD CAP SCREW	6.000 EA
HW1001A50	LOCKWASHER 1/2, ZINC PLT.,.879 OD, .509 I	6.000 EA
HW2501G25	KEY, 3/8 SQ X 2.875	1.000 EA
LB1115N	LABEL,LIFTING DEVICE (ON ROLLS)	1.000 EA
LB1081Z	ALUM XP CAUTION LABEL (ZK PLANT ONLY-	1.000 EA
MN416A01	TAG-INSTAL-MAINT no wire (1000/bx) 11/14	1.000 EA
HW4500A20	1/8NPT SL PIPE PLUG	2.000 EA
HW4505A02	BREATHER/DRAIN-EXP PROOF-.250-18 PTF AIS	1.000 EA
MJ1000A02	GREASE, POLYREX EM EXXON (USe 4824-15A)	0.080 LB
HW4500A20	1/8NPT SL PIPE PLUG	2.000 EA
HW4505A02	BREATHER/DRAIN-EXP PROOF-.250-18 PTF AIS	1.000 EA
HW2500A25	WOODRUFF KEY USA #1008 #BLOW CARBON STEE	1.000 EA
51XB1214A20	12-14X1.25 HXWSSLD SERTYB	1.000 EA
MG1025G05	WILKOFASST, 789.227, MED. GRAY CHAR. MET.	0.050 GA
85XU0407S04	4X1/4 U DRIVE PIN STAINLESS	6.000 EA
LB1119N	WARNING LABEL	1.000 EA
LC0006	CONNECTION LABEL	1.000 EA
NP0977XPSLEV	SS XP UL CSA-EEV CC CL-I GP-C&D	1.000 EA
40PA1005	PACKAGING GROUP, 09 STD	1.000 EA

AC Induction Motor Performance Data

Record # 44036 - Typical performance - not guaranteed values

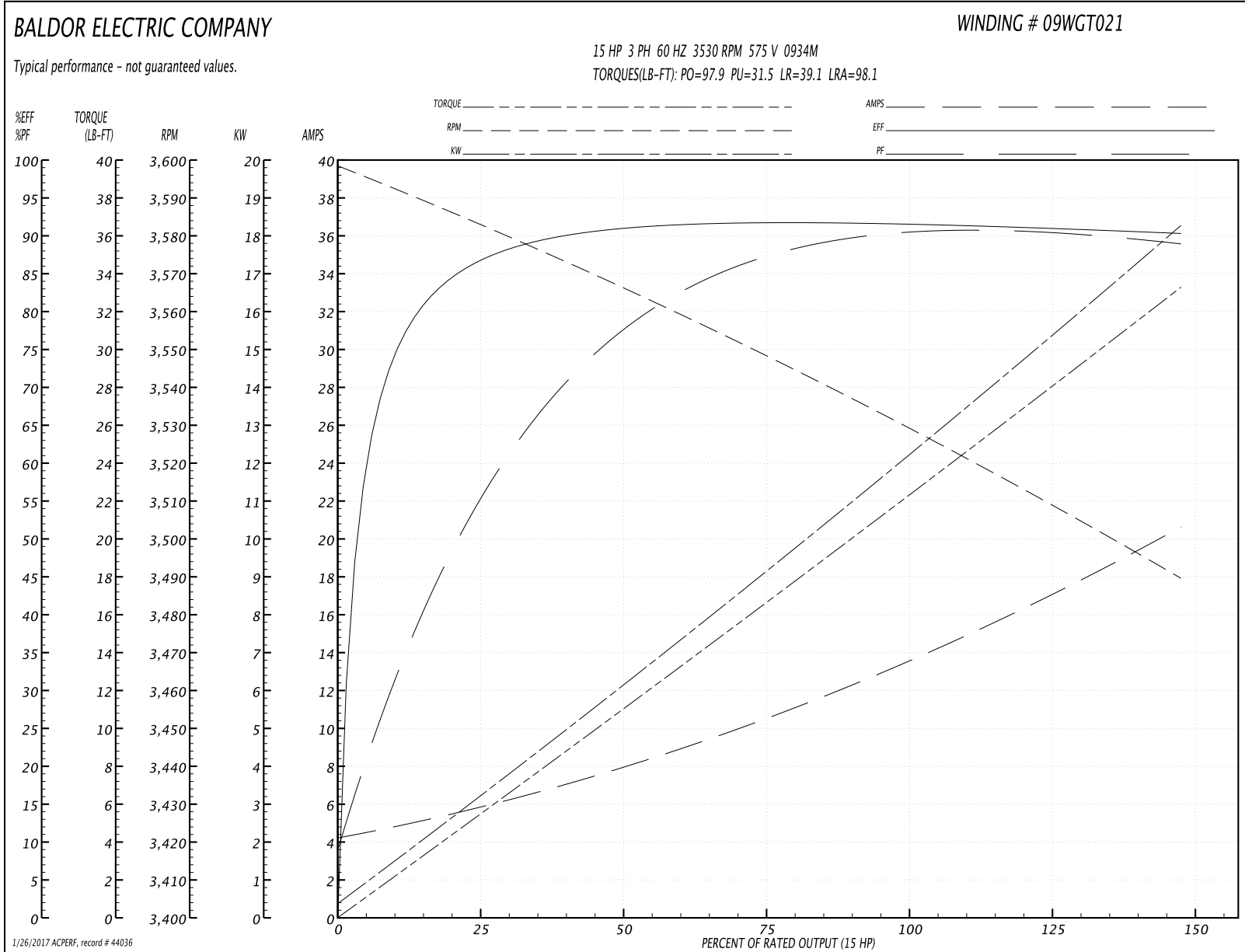
Winding: 09WGT021-R001	Type: 0934M	Enclosure: XPFC
-------------------------------	--------------------	------------------------

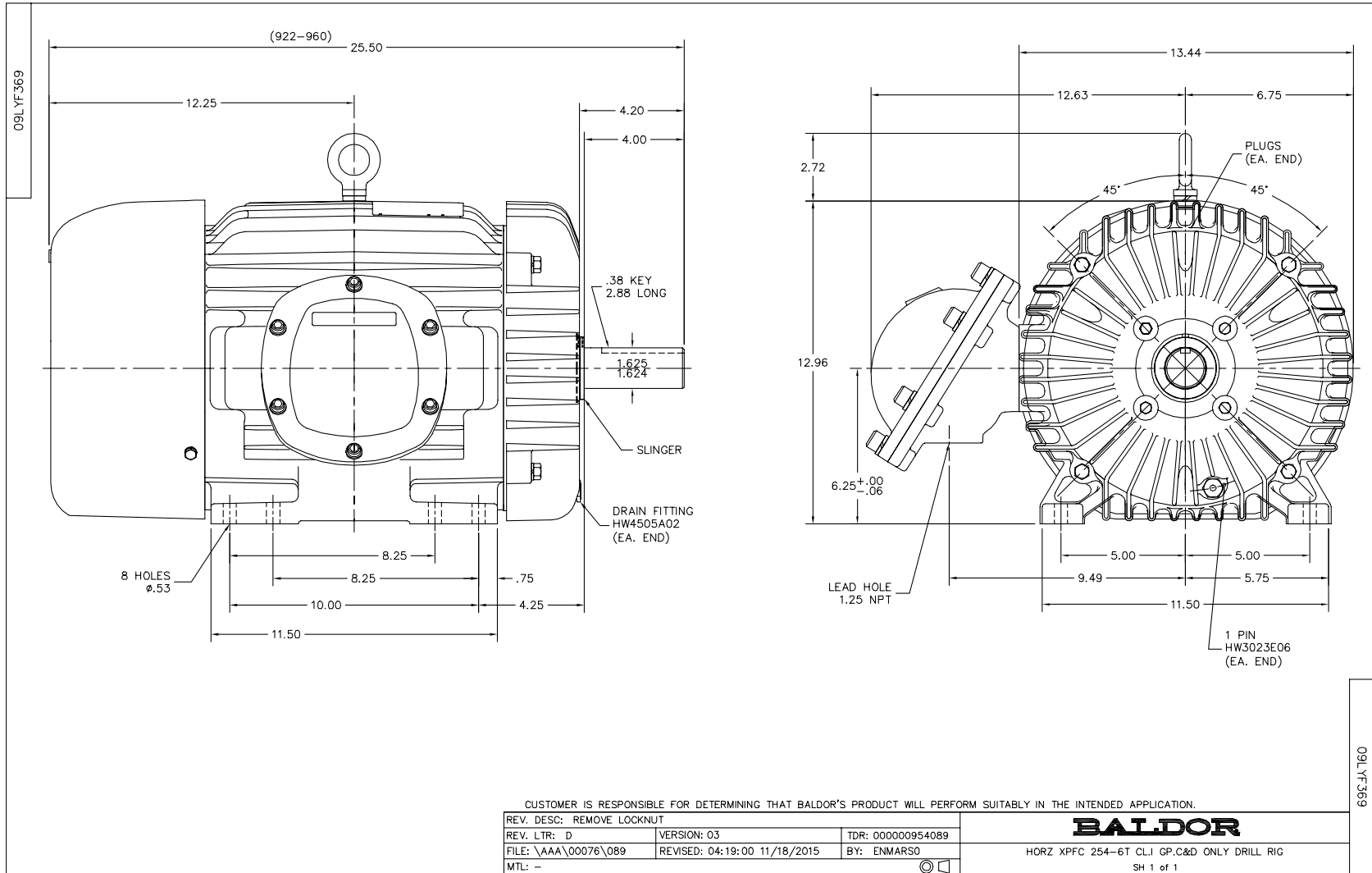
Nameplate Data				575 V, 60 Hz: Single Voltage Motor	
Rated Output (HP)	15			Full Load Torque	22.2 LB-FT
Volts	575			Start Configuration	direct on line
Full Load Amps	13.7			Breakdown Torque	97.9 LB-FT
R.P.M.	3530			Pull-up Torque	31.5 LB-FT
Hz	60	Phase	3	Locked-rotor Torque	39.1 LB-FT
NEMA Design Code	B	KVA Code	H	Starting Current	98.1 A
Service Factor (S.F.)	1.15			No-load Current	4.45 A
NEMA Nom. Eff.	91	Power Factor	88	Line-line Res. @ 25°C	0.949 Ω
Rating - Duty	40C AMB-CONT			Temp. Rise @ Rated Load	56°C
S.F. Amps				Temp. Rise @ S.F. Load	70°C
				Locked-rotor Power Factor	29
				Rotor inertia	0.868 LB-FT ²

Load Characteristics 575 V, 60 Hz, 15 HP

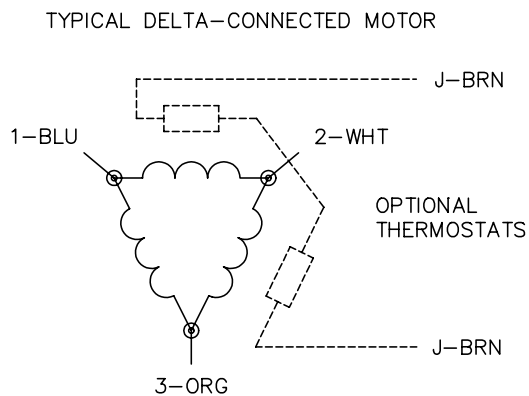
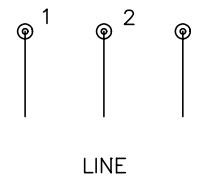
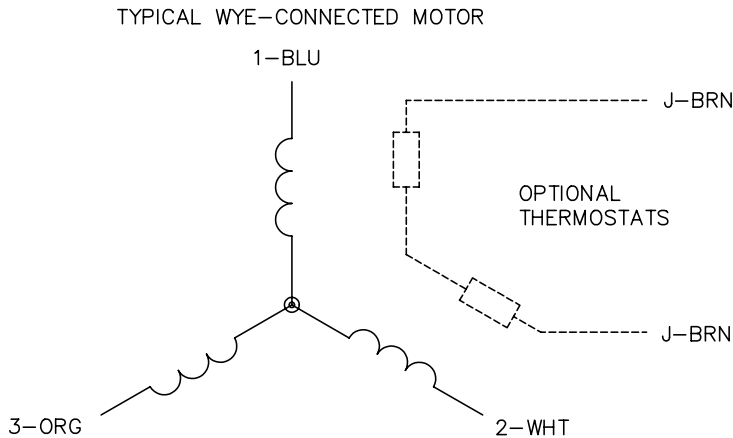
% of Rated Load	25	50	75	100	125	150	S.F.
Power Factor	59	79	87	89	90	90	90
Efficiency	86.5	91.3	91.6	91.6	91.2	90.3	91.4
Speed	3582	3566	3548	3530	3511	3489	3519
Line amperes	5.55	7.87	10.6	13.7	16.9	20.5	15.6

Performance Graph at 575V, 60Hz, 15.0HP Typical performance - Not guaranteed values





CD0006



NOTES:

1. THREE LEAD MOTOR MAY BE EITHER WYE CONNECTED OR DELTA CONNECTED.
2. INTERCHANGE ANY TWO LINE LEADS TO REVERSE ROTATION.
3. OPTIONAL THERMOSTATS ARE PROVIDED WHEN SPECIFIED.
4. ACTUAL NUMBER OF INTERNAL PARALLEL CIRCUITS MAY VARY.
5. LEAD COLORS ARE OPTIONAL. LEADS MUST BE NUMBERED AS SHOWN.

REV. DESC: REVISE TO SHOW OPTIONAL COLORS			
REV. LTR: D	BY: JLP	REVISED: 01/21/99 4:02	TDR: 0171435
9000D		FILE: AAA00005141	MDL: -
		MTL: -	

BALDOR ELECTRIC Co.

3PH, SV, 3 LEADS, WYE OR DELTA CONNECTED

CD0006