

# **BALDOR® • RELIANCE**

## **Product Information Packet**

### **EM7064T-C**

**50//40HP,1775//1470RPM,3PH,60//50HZ,326T**

Part Detail							
Revision:	J	Status:	PRD/A	Change #:		Proprietary:	No
Type:	AC	Prod. Type:	1272M	Elec. Spec:	12WGY141	CD Diagram:	CD0180
Enclosure:	XPFC	Mfg Plant:		Mech. Spec:	12R031	Layout:	12LYR031
Frame:	326T	Mounting:	F1	Poles:	04	Created Date:	06-07-2013
Base:	RG	Rotation:	R	Insulation:	B	Eff. Date:	12-15-2015
Leads:	9#6					Replaced By:	
Literature:		Elec. Diagram:					

Nameplate NP0978XPSLEV										
NO.							CC	010A		
SER.							TEMP CODE	T4		
SPEC.	12R031Y141G1									
CAT.NO.	EM7064T-C									
HP	50//40									
VOLTS	230/460//190/380									
AMPS	116/58//112/56									
RPM	1775//1470						MOTOR WEIGHT	790		
HERTZ	60//50			PH	3	CL	B	DE BRG	6312	
SER.F.	1.00			DES	A	CODE	H	ODE BRG	6311	
FRAME	326T			GREASE	POLYREX EM					
RATING	40C AMB-CONT									
USABLE AT 208V					NEMA-NOM-EFF	94.5		PF	85	

Parts List		
Part Number	Description	Quantity
SA264309	SA 12R031Y141G1	1.000 EA
RA251021	RA 12R031Y141G1	1.000 EA
09FN3001C03	EXTERNAL FAN, PLASTIC	1.000 EA
12CB1003A01	CONDUIT BOX MACH. GROUP C MTRS	1.000 EA
10XN3118K24	5/16-18 X 1.50" HEX HD, GRADE 5	4.000 EA
HW1001A31	LOCKWASHER 5/16, ZINC PLT.591 OD, .319 I	4.000 EA
WD1000B19	TERMINAL BURNDY L250HP	1.000 EA
10XN3816K12	3/8-16 X 3/4 HEX HD CAP GRADE 5	1.000 EA
HW1001A38	LOCKWASHER 3/8, ZINC PLT .688 OD, .382 I	1.000 EA
12EP1705A05	ENDPLATE,MACH.312-EXPL PROOF 311 BRG-EXP	1.000 EA
HA3051A03	1/2-13X2.75 BLT GR8 1.75 TO E NC F/S	4.000 EA
HW1001A50	LOCKWASHER 1/2, ZINC PLT.,879 OD, .509 I	4.000 EA
HW5100A13	W4627-047 WVY WSHER	1.000 EA
12EP1706A01	ENDPLATE, MACH. 312 - EXPLOSION PROOF 31	1.000 EA
10XN3118K44	5/16-18 X 2.75" HEX HD, GRADE 5	4.000 EA
HW1001A31	LOCKWASHER 5/16, ZINC PLT.591 OD, .319 I	4.000 EA
HA3051A03	1/2-13X2.75 BLT GR8 1.75 TO E NC F/S	4.000 EA
HW1001A50	LOCKWASHER 1/2, ZINC PLT.,879 OD, .509 I	4.000 EA
12FH1001A01	FAN HOUSING 312 EXPLOSION PROOF MOTORS	1.000 EA
10XN3118K12	5/16-18 X .75 GRADE 5, ZINC PLATED	3.000 EA
HW1001A31	LOCKWASHER 5/16, ZINC PLT.591 OD, .319 I	3.000 EA
12CB1502A01	CONDUIT BOX LID MACH. GROUP C MTRS	1.000 EA
84XN5013J32	SOCKET HD.CAP SCR,1/2-13 X 2"LG,ALLOY ST	10.000 EA
HW1001A50	LOCKWASHER 1/2, ZINC PLT.,879 OD, .509 I	10.000 EA

<b>Parts List (continued)</b>		
<b>Part Number</b>	<b>Description</b>	<b>Quantity</b>
HW2501H33	KEY, 1/2 SQ X 3.875	1.000 EA
LB1115N	LABEL,LIFTING DEVICE (ON ROLLS)	1.000 EA
LB1081C	ALUM XP CAUTION LABEL (COL PLANT ONLY-	1.000 EA
MN416A01	TAG-INSTAL-MAINT no wire (1000/bx) 11/14	1.000 EA
HW4500A20	1/8NPT SL PIPE PLUG	2.000 EA
MJ1000A02	GREASE, POLYREX EM EXXON (USe 4824-15A)	0.200 LB
HW4500A20	1/8NPT SL PIPE PLUG	2.000 EA
HW2500A25	WOODRUFF KEY USA #1008 #BLOW CARBON STEE	1.000 EA
51XB1214A20	12-14X1.25 HXWSSLD SERTYB	1.000 EA
MG1025G05	WILKOFASST, 789.227, MED. GRAY CHAR. MET.	0.080 GA
85XU0407S04	4X1/4 U DRIVE PIN STAINLESS	6.000 EA
LB1119N	WARNING LABEL	1.000 EA
LC0181	CONNECTION LABEL	1.000 EA
NP0978XPSLEV	SS XP UL CSA-EEV CC CL-I GP-C&D	1.000 EA
14PA1000	PACKAGING 314 GROUP COMBINED PRINT	1.000 EA

**AC Induction Motor Performance Data**

Record # 42428 - Typical performance - not guaranteed values

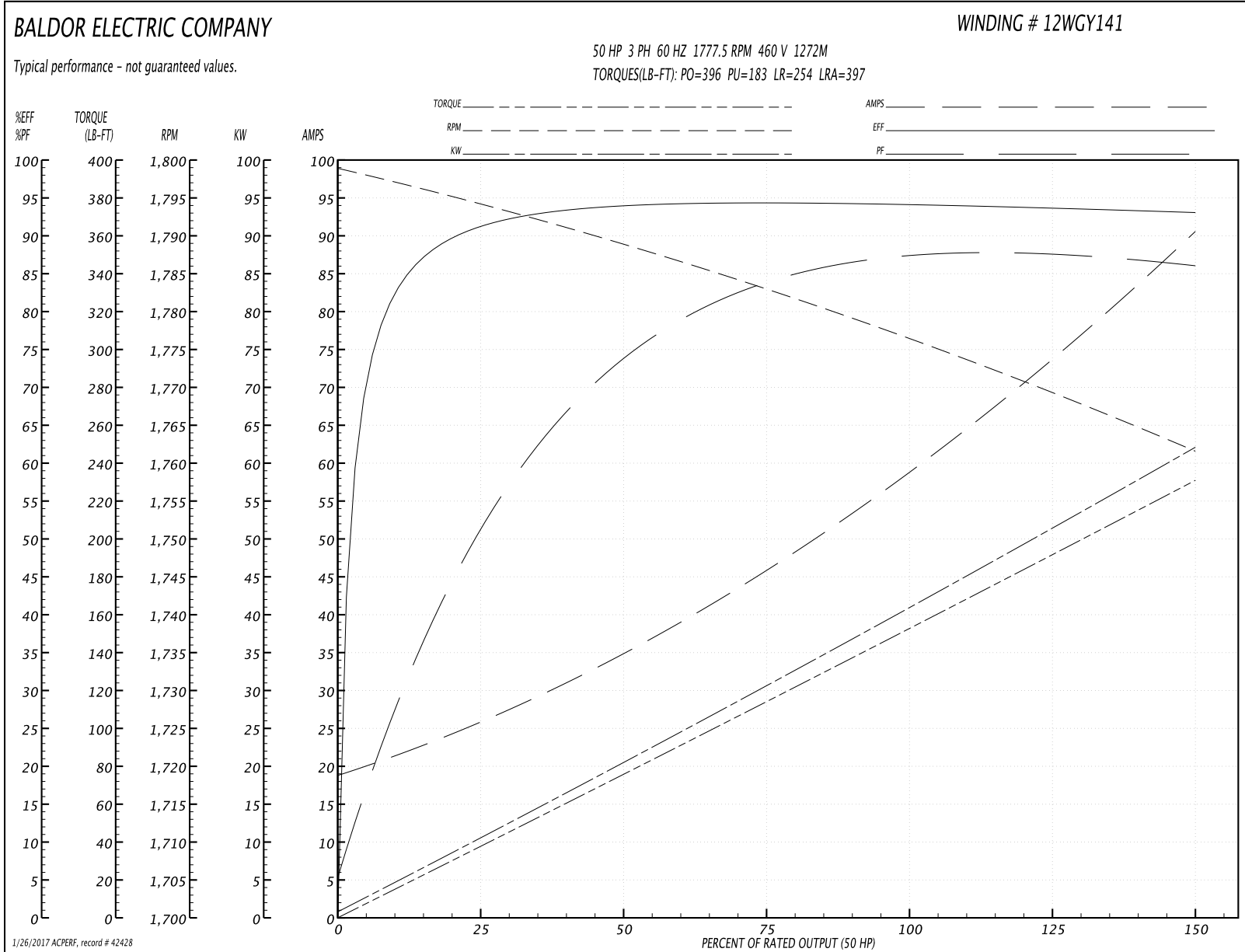
<b>Winding:</b> 12WGY141-R020	<b>Type:</b> 1272M	<b>Enclosure:</b> XPFC
-------------------------------	--------------------	------------------------

Nameplate Data				460 V, 60 Hz: High Voltage Connection	
Rated Output (HP)	50//40			Full Load Torque	147 LB-FT
Volts	230/460//190/380			Start Configuration	direct on line
Full Load Amps	116/58//112/56			Breakdown Torque	396 LB-FT
R.P.M.	1775//1470			Pull-up Torque	183 LB-FT
Hz	60//50	Phase	3	Locked-rotor Torque	254 LB-FT
NEMA Design Code	A	KVA Code	G	Starting Current	397 A
Service Factor (S.F.)	1			No-load Current	19.8 A
NEMA Nom. Eff.	94.5	Power Factor	85	Line-line Res. @ 25°C	0.10889 Ω
Rating - Duty	40C AMB-CONT			Temp. Rise @ Rated Load	64°C
				Locked-rotor Power Factor	26
				Rotor inertia	9.59 LB-FT <sup>2</sup>

**Load Characteristics 460 V, 60 Hz, 50 HP**

% of Rated Load	25	50	75	100	125	150
Power Factor	53	74	83	86	87	87
Efficiency	91.3	94.3	94.8	94.6	94	93.1
Speed	1794.5	1789.3	1783.5	1777.5	1770.7	1761.5
Line amperes	24.2	33.5	44.7	57.6	71.5	90

Performance Graph at 460V, 60Hz, 50.0HP Typical performance - Not guaranteed values



**AC Induction Motor Performance Data**

Record # 42429 - Typical performance - not guaranteed values

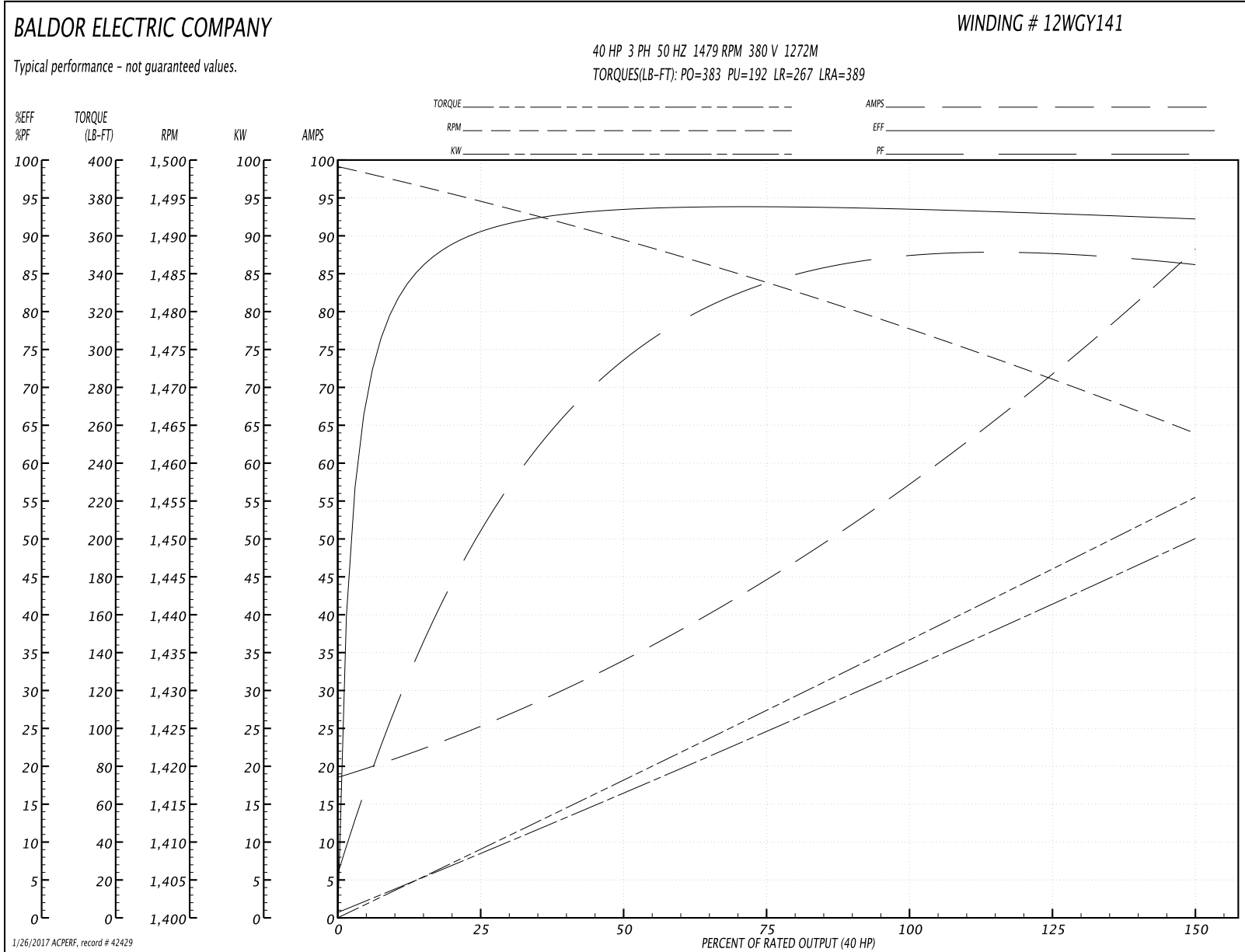
<b>Winding:</b> 12WGY141-R020	<b>Type:</b> 1272M	<b>Enclosure:</b> XPFC
-------------------------------	--------------------	------------------------

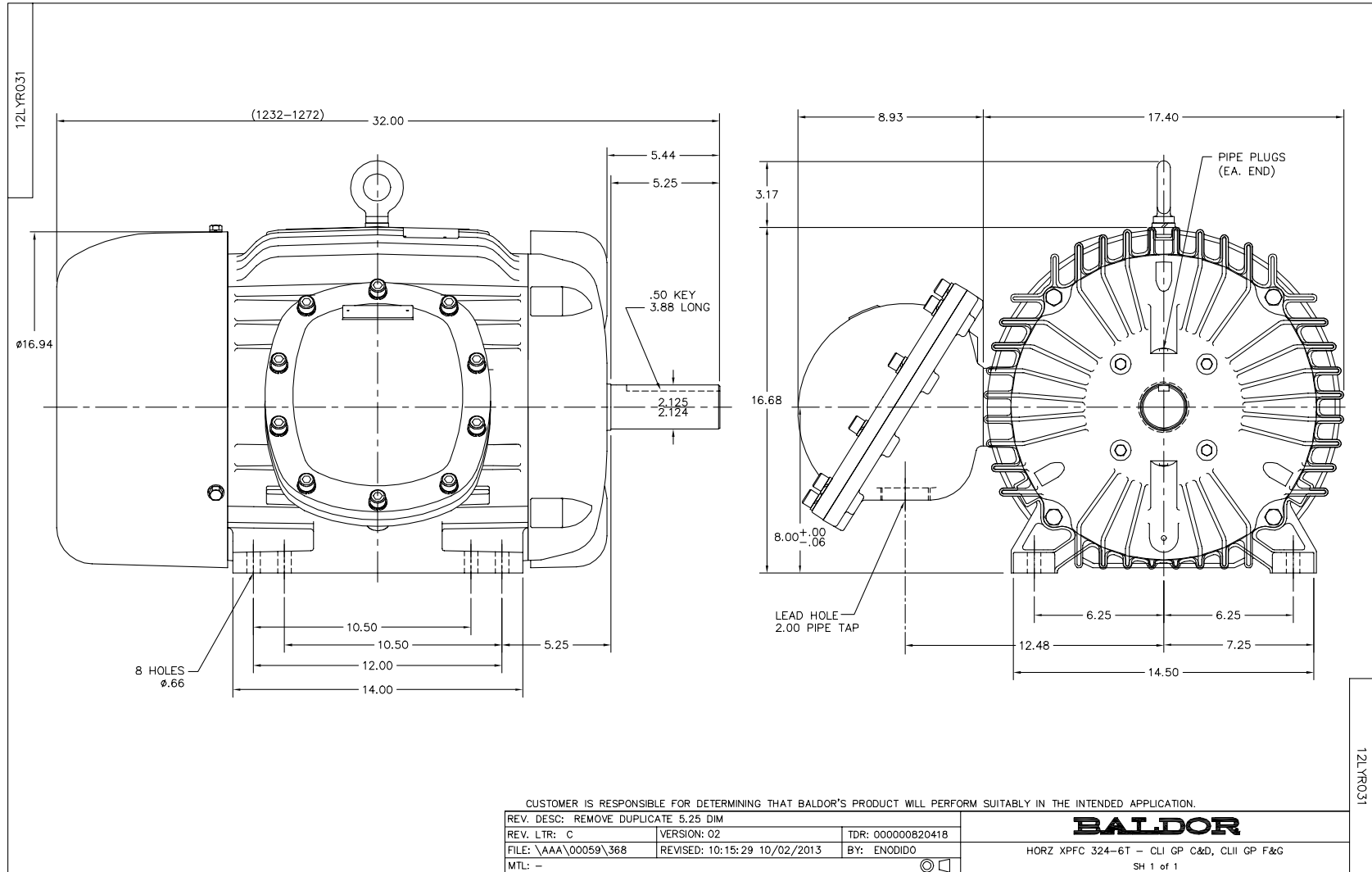
Nameplate Data				380 V, 50 Hz: High Voltage Connection	
Rated Output (HP)	50//40			Full Load Torque	141 LB-FT
Volts	230/460//190/380			Start Configuration	direct on line
Full Load Amps	116/58//112/56			Breakdown Torque	383 LB-FT
R.P.M.	1775//1470			Pull-up Torque	192 LB-FT
Hz	60//50	Phase	3	Locked-rotor Torque	267 LB-FT
NEMA Design Code	A	KVA Code	G	Starting Current	389 A
Service Factor (S.F.)	1			No-load Current	19.5 A
NEMA Nom. Eff.	94.5	Power Factor	85	Line-line Res. @ 25°C	0.107 Ω
Rating - Duty	40C AMB-CONT			Temp. Rise @ Rated Load	60°C
S.F. Amps				Temp. Rise @ S.F. Load	74°C
				Locked-rotor Power Factor	29
				Rotor inertia	9.59 LB-FT <sup>2</sup>

Load Characteristics 380 V, 50 Hz, 40 HP

% of Rated Load	25	50	75	100	125	150
Power Factor	52	74	83	86	87	87
Efficiency	90	93.7	93.7	93.5	93.2	92.2
Speed	1495	1490	1484	1479	1472	1464
Line amperes	23.7	32.7	43.6	56.1	69.6	87.7

Performance Graph at 380V, 50Hz, 40.0HP Typical performance - Not guaranteed values

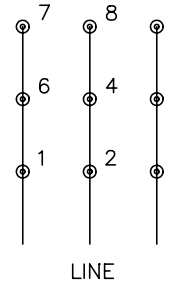




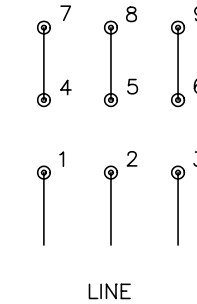
CD0180



LOW VOLTAGE  
(2D)



HIGH VOLTAGE  
(1D)



NOTES:

1. INTERCHANGE ANY TWO LINE LEADS TO REVERSE ROTATION.
2. OPTIONAL THERMOSTATS ARE PROVIDED WHEN SPECIFIED.
3. ACTUAL NUMBER OF INTERNAL PARALLEL CIRCUITS MAY BE A MULTIPLE OF THOSE SHOWN ABOVE.
4. LEAD COLORS ARE OPTIONAL. LEADS MUST ALWAYS BE NUMBERED AS SHOWN.

REV. DESC: REVISE TO SHOW OPTIONAL COLORS			
REV. LTR: C	BY: JLP	REVISED: 01/21/99 2:28	TDR: 0171435
0810D0		FILE: AAA00005148	MDL: -
		MTL: -	

**BALDOR ELECTRIC Co.**

3PH, DV, 9 LEADS, DELTA CONNECTION

CD0180