

BALDOR® • ***RELIANCE***

Product Information Packet

EM7072T

5//3HP,3450//2900RPM,3PH,60//50HZ,184T,3

Part Detail							
Revision:	K	Status:	PRD/A	Change #:		Proprietary:	No
Type:	AC	Prod. Type:	3630M	Elec. Spec:	36WGS042	CD Diagram:	CD0005
Enclosure:	XPFC	Mfg Plant:		Mech. Spec:	36J536	Layout:	36LYJ536
Frame:	184T	Mounting:	F1	Poles:	02	Created Date:	06-18-2010
Base:	RG	Rotation:	R	Insulation:	B	Eff. Date:	12-22-2016
Leads:	9#16					Replaced By:	
Literature:		Elec. Diagram:					

Nameplate NP1426XPSLEV	
NO.	<input type="text"/> CC 010A
SER.	<input type="text"/>
SPEC.	36J536S042G1
CAT.NO.	EM7072T
HP	5//3 T. CODE T3C
VOLTS	230/460//190/380
AMPS	11.8/5.9//8.8/4.4
RPM	3450//2900
HZ	60//50 PH 3 CL B
SER.F.	1.00 DES A CODE L
RATING	40C AMB-CONT
FRAME	184T NEMA-NOM-EFF 88.5
USABLE AT 208V	12 PF 91
BLANK	<input type="text"/>

Parts List		
Part Number	Description	Quantity
SA199040	SA 36J536S042G1	1.000 EA
RA186391	RA 36J536S042G1	1.000 EA
34FN3002B02	EXTERNAL FAN, PLASTIC, .905/.907 HUB W/	1.000 EA
35CB3001A02SP	EXPL PROOF CONDUIT BOX, 3/4"PIPE TAP LEA	1.000 EA
11XW1032G06	10-32 X .38, TAPTITE II, HEX WSHR SLTD U	1.000 EA
HW3001B01	BRASS CUP WASHER, FOR #8 SCREW	1.000 EA
36EP1702A01	FR ENDPLATE, MACH	1.000 EA
HW4500A19	1/4-28X1/4 SLOTTED PLUG F/S	2.000 EA
HW5100A05	WVY WSHR F/205 & 304 BRGS	1.000 EA
36EP3701A01	PU ENDPLATE, MACH	1.000 EA
HW4500A19	1/4-28X1/4 SLOTTED PLUG F/S	2.000 EA
XY3816A12	3/8-16 FINISHED NUT	4.000 EA
36FH3003	FAN COVER, CAST	1.000 EA
12XN1032A10	10-32 X.625 HX WS SL ZN	4.000 EA
HW1001A10	WASHER, #10 SPLT LK, ZN X	4.000 EA
35CB3500A01SP	CONDUIT BOX LID, MACH	1.000 EA
51XN2520A16	SCREW, HEX WS SLT, ZN, 1/4-20 X 1.00	4.000 EA
HW2501E16	3KEY, 1/4 SQ X 1.750	1.000 EA
HA7000A02	KEY RETAINER RING, 1 1/8 DIA, 1 3/8 DIA	1.000 EA
85XU0407S04	4X1/4 U DRIVE PIN STAINLESS	6.000 EA
NP0018F	ALUM UL XP CONDUIT BOX NAMEPLATE	1.000 EA
MJ1000A02	GREASE, POLYREX EM EXXON (USe 4824-15A)	0.050 LB
51XB1214A16	12-14X1.00 HXWSSLD SERTYB	1.000 EA
MG1025G29	WILKOFASST, 789.229, DARK CHARCOAL GRAY	0.022 GA

Parts List (continued)		
Part Number	Description	Quantity
HA3105A09	THRUBOLT 3/8-16 X 12.000	4.000 EA
LB1119N	WARNING LABEL	1.000 EA
LC0145B01	CONNECTION LABEL	1.000 EA
NP1426XPSLEV	SS XP UL CSA-EEV CC CL-I GP-D	1.000 EA
36PA1001	PKG GRP, PRINT PK1017A06	1.000 EA
MN416A01	TAG-INSTAL-MAINT no wire (1000/bx) 11/14	1.000 EA

AC Induction Motor Performance Data

Record # 36906 - Typical performance - not guaranteed values

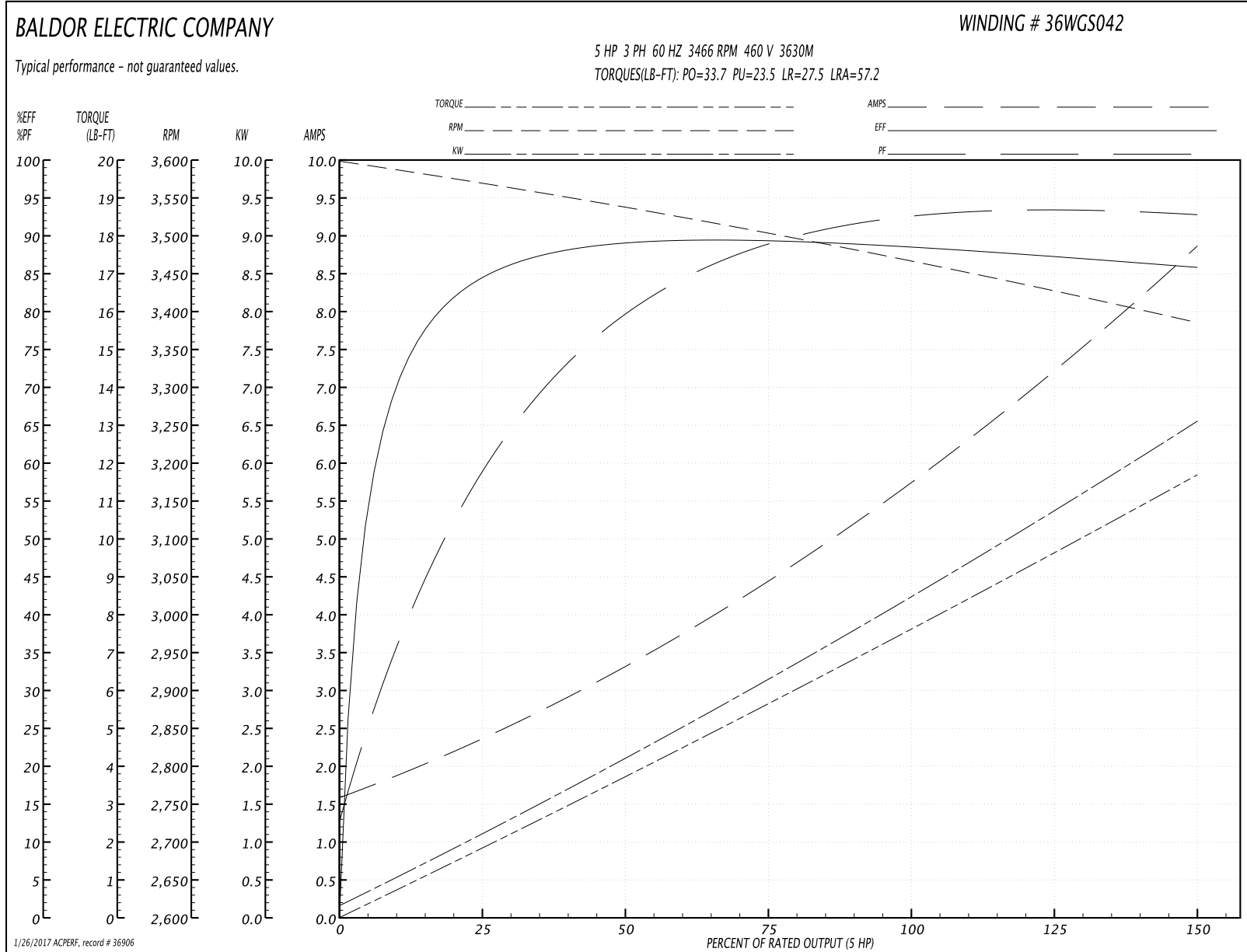
Winding: 36WGS042-R006	Type: 3630M	Enclosure: XPFC
-------------------------------	--------------------	------------------------

Nameplate Data				460 V, 60 Hz: High Voltage Connection	
Rated Output (HP)	5//3			Full Load Torque	7.67 LB-FT
Volts	230/460//190/380			Start Configuration	direct on line
Full Load Amps	11.8/5.9//8.8/4.4			Breakdown Torque	33.7 LB-FT
R.P.M.	3450//2900			Pull-up Torque	23.5 LB-FT
Hz	60//50	Phase	3	Locked-rotor Torque	27.5 LB-FT
NEMA Design Code	A	KVA Code	L	Starting Current	57.2 A
Service Factor (S.F.)	1			No-load Current	1.68 A
NEMA Nom. Eff.	88.5	Power Factor	91	Line-line Res. @ 25°C	2.27 Ω
Rating - Duty	40C AMB-CONT			Temp. Rise @ Rated Load	72°C
				Locked-rotor Power Factor	45
				Rotor inertia	0.134 LB-FT ²

Load Characteristics 460 V, 60 Hz, 5 HP

% of Rated Load	25	50	75	100	125	150
Power Factor	62	81	88	91	93	94
Efficiency	84.1	88.9	89.4	88.7	87.3	85.8
Speed	3569	3537	3504	3466	3428	3385
Line amperes	2.24	3.26	4.47	5.85	7.26	8.8

Performance Graph at 460V, 60Hz, 5.0HP Typical performance - Not guaranteed values



AC Induction Motor Performance Data

Record # 36907 - Typical performance - not guaranteed values

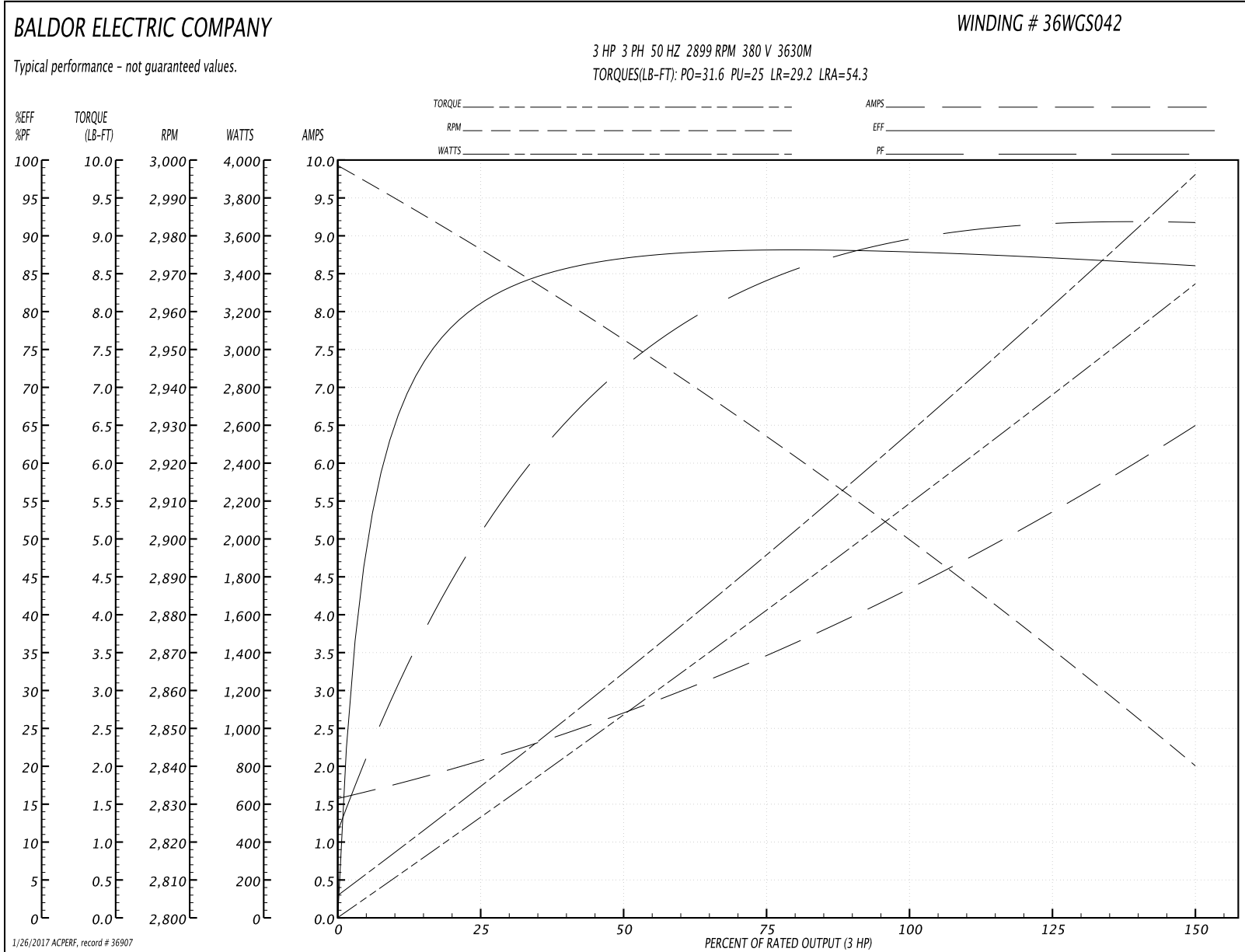
Winding: 36WGS042-R006	Type: 3630M	Enclosure: XPFC
-------------------------------	--------------------	------------------------

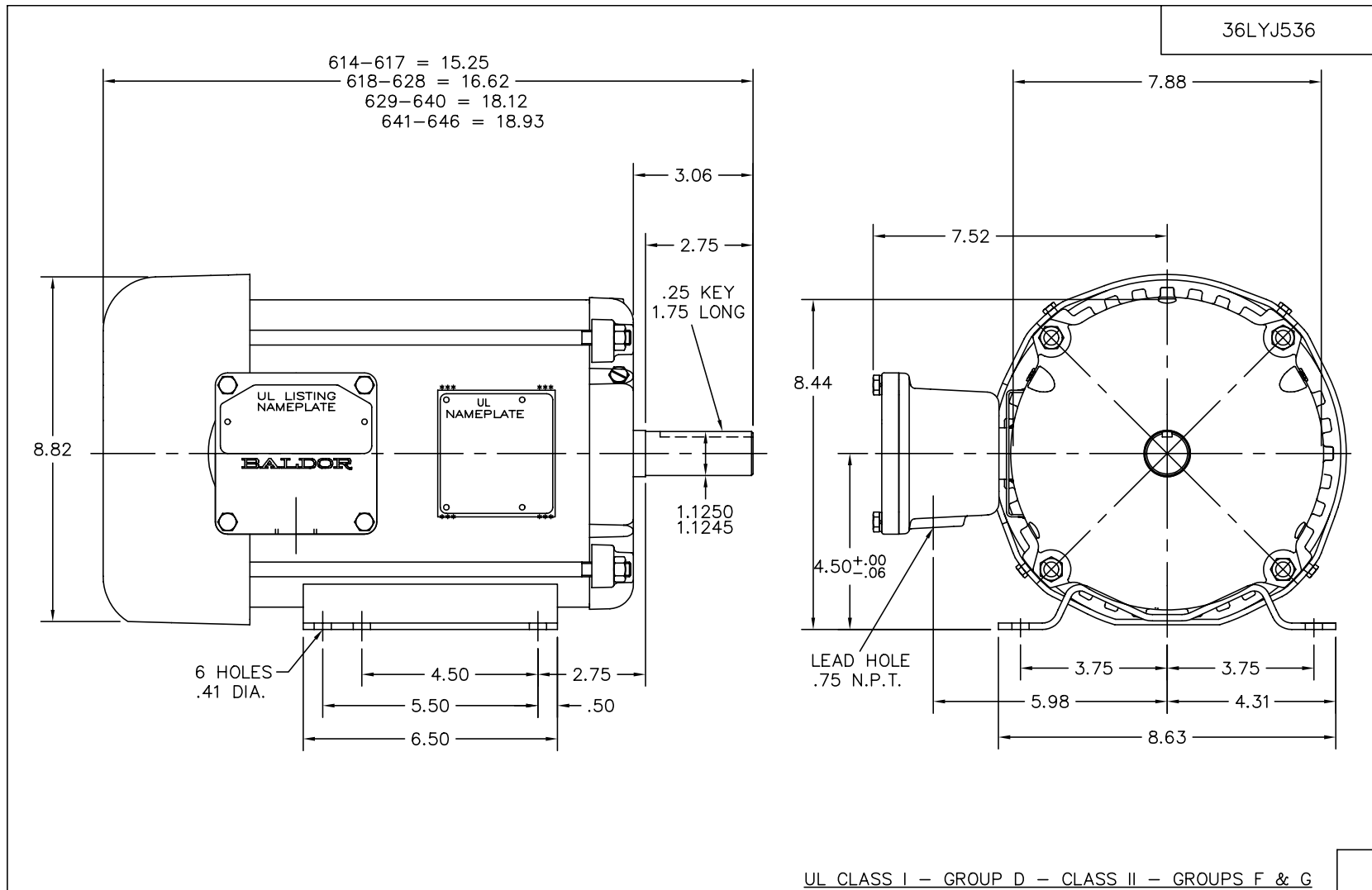
Nameplate Data				380 V, 50 Hz: High Voltage Connection	
Rated Output (HP)	5//3			Full Load Torque	5.5 LB-FT
Volts	230/460//190/380			Start Configuration	direct on line
Full Load Amps	11.8/5.9//8.8/4.4			Breakdown Torque	31.6 LB-FT
R.P.M.	3450//2900			Pull-up Torque	25 LB-FT
Hz	60//50	Phase	3	Locked-rotor Torque	29.2 LB-FT
NEMA Design Code	A	KVA Code	L	Starting Current	54.3 A
Service Factor (S.F.)	1			No-load Current	1.64 A
NEMA Nom. Eff.	88.5	Power Factor	91	Line-line Res. @ 25°C	2.27 Ω
Rating - Duty	40C AMB-CONT			Temp. Rise @ Rated Load	48°C
				Locked-rotor Power Factor	51
				Rotor inertia	0.134 LB-FT ²

Load Characteristics 380 V, 50 Hz, 3 HP

% of Rated Load	25	50	75	100	125	150
Power Factor	53	74	84	88	91	92
Efficiency	80.5	86.8	88.3	88.1	87.1	86.1
Speed	2976	2952	2928	2899	2871	2840
Line amperes	1.99	2.66	3.48	4.42	5.39	6.45

Performance Graph at 380V, 50Hz, 3.0HP Typical performance - Not guaranteed values





CUST. NAME		CUST. P.O.		CERTIFIED BY		MODEL		INSUL		AMB	
H.P.		MTG		TYPE		R.P.M.		VOLTS		ENCL	
PHASE		FREQ		FRAME							
REV. DESC: NEW											
REV. LTR: -		BY: JMB		REVISED: 11/11/99 3:52				TDR: 0195247			
9Ω9Λ 79Ω		FILE: AAA00070072				MDL: -				BALDOR ELECTRIC Co.	
		MTL: -				HORZ 182-4T XPFC 36M (CL-I GP-D, CL-II GP-F&G) (EPACT STACK)					

36LYJ536

CD0005

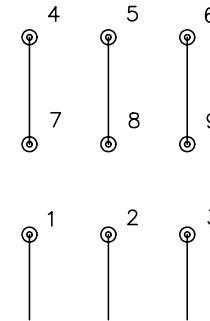


LOW VOLTAGE
(2Y)



LINE

HIGH VOLTAGE
(1Y)



LINE

NOTES:

1. INTERCHANGE ANY TWO LINE LEADS TO REVERSE ROTATION.
2. OPTIONAL THERMOSTATS ARE PROVIDED WHEN SPECIFIED.
3. ACTUAL NUMBER OF INTERNAL PARALLEL CIRCUITS MAY BE A MULTIPLE OF THOSE SHOWN ABOVE.
4. LEAD COLORS ARE OPTIONAL. LEADS MUST ALWAYS BE NUMBERED AS SHOWN.

REV. DESC: REVISE TO SHOW OPTIONAL COLORS			
REV. LTR: E	BY: JLP	REVISED: 01/19/99 10:15	TDR: 0171435
9000D		FILE: AAA00005140	MDL: -
		MTL: -	

BALDOR ELECTRIC Co.

3PH, DV, 9 LEADS

CD0005