

# **BALDOR**® • **RELIANCE**

## **Product Information Packet**

# **EM7114T-C**

**1//.75HP,1760//1460RPM,3PH,60//50HZ,143T**

Part Detail							
Revision:	K	Status:	PRD/A	Change #:		Proprietary:	No
Type:	AC	Prod. Type:	0518M	Elec. Spec:	05WGX122	CD Diagram:	CD0005
Enclosure:	XPFC	Mfg Plant:		Mech. Spec:	05E347	Layout:	05LYE347
Frame:	143T	Mounting:	F1	Poles:	04	Created Date:	08-03-2010
Base:	RG	Rotation:	R	Insulation:	B	Eff. Date:	06-16-2016
Leads:	9#18					Replaced By:	
Literature:		Elec. Diagram:					

Nameplate NP0978XPSL										
NO.						CC	010A			
SER.							TEMP CODE	T4		
SPEC.	05E347X122G1									
CAT.NO.	EM7114T-C									
HP	1//.75									
VOLTS	230/460//190/380									
AMPS	3/1.5//3/1.4									
RPM	1760//1460					MOTOR WEIGHT	78			
HERTZ	60//50		PH	3		CL	B	DE BRG	6205	
SER.F.	1.00		DES	B		CODE	L	ODE BRG	6203	
FRAME	143T		GREASE	POLYREX EM						
RATING	40C AMB-CONT									
USABLE AT 208V	3.1					NEMA-NOM-EFF	85.5		PF	71

Parts List		
Part Number	Description	Quantity
SA201058	SA 05E347X122G1	1.000 EA
RA188363	RA 05E347X122G1	1.000 EA
34FN3002B01	EXTERNAL FAN, PLASTIC, .637/.639 HUB W/	1.000 EA
HW3201A05	3/8-16 EYEBOLT	1.000 EA
HW4002A18	1"HEX STEEL PIPE NIPPLE FOR 305XP MTRS	1.000 EA
HW3021F12	SPRING PIN, .156 X 1.25	1.000 EA
11XW1032G06	10-32 X .38, TAPTITE II, HEX WSHR SLTD U	1.000 EA
HW3001B01	BRASS CUP WASHER, FOR #8 SCREW	1.000 EA
35EP1715A02	FR ENDPLATE,TEFC,35M,X-PROOF MTR,GROUP"C	1.000 EA
84XN3118J20	5/16-18 X 1 1/4" SOC HD CAP SCREW	4.000 EA
HW5100A03SP	WAVY WASHER (W1543-017)	1.000 EA
05EP1700A01	EP PU EXPL PROOF 205 BRG -GROUP C MTRS	1.000 EA
84XN3118J20	5/16-18 X 1 1/4" SOC HD CAP SCREW	4.000 EA
51XB1214A16	12-14X1.00 HXWSSLD SERTYB	1.000 EA
35FH1000A02	35FH1000A02	1.000 EA
10XN2520A18	1/4-20 X 1-1/8 HEX CAP SCREW.	3.000 EA
HW1001A25	LOCKWASHER 1/4, ZINC PLT .493 OD, .255 I	3.000 EA
35CB1501A01	CONDUIT BOX LID, MACH. - GROUP "C"MTRS	1.000 EA
LB1359F	ALUM XP CAUTION LABEL	1.000 EA
85XU0407S04	4X1/4 U DRIVE PIN STAINLESS	2.000 EA
LB1115N	LABEL,LIFTING DEVICE (ON ROLLS)	1.000 EA
RM1020A41	O-RING, -150 BUNA-N, .103 CS X 2.862 ID	1.000 EA
HW2501D13	KEY, 3/16 SQ X 1.375	1.000 EA
HA7000A01	KEY RETAINER 7/8" DIA SHAFT	1.000 EA

<b>Parts List (continued)</b>		
<b>Part Number</b>	<b>Description</b>	<b>Quantity</b>
85XU0407S04	4X1/4 U DRIVE PIN STAINLESS	4.000 EA
35CB1005A01	CONDUIT BOX,MACH - GROUP "C" MTRS	1.000 EA
MJ1000A02	GREASE, POLYREX EM EXXON (USe 4824-15A)	0.050 LB
MG1025G29	WILKOFASST, 789.229, DARK CHARCOAL GRAY	0.017 GA
LB1119N	WARNING LABEL	1.000 EA
LC0145B01	CONNECTION LABEL	1.000 EA
NP0978XPSL	SS XP UL CSA CC CL-I GP-C&D CL-II GP-F&G	1.000 EA
36PA1001	PKG GRP, PRINT PK1017A06	1.000 EA
MN416A01	TAG-INSTAL-MAINT no wire (1000/bx) 11/14	1.000 EA

**AC Induction Motor Performance Data**

Record # 36134 - Typical performance - not guaranteed values

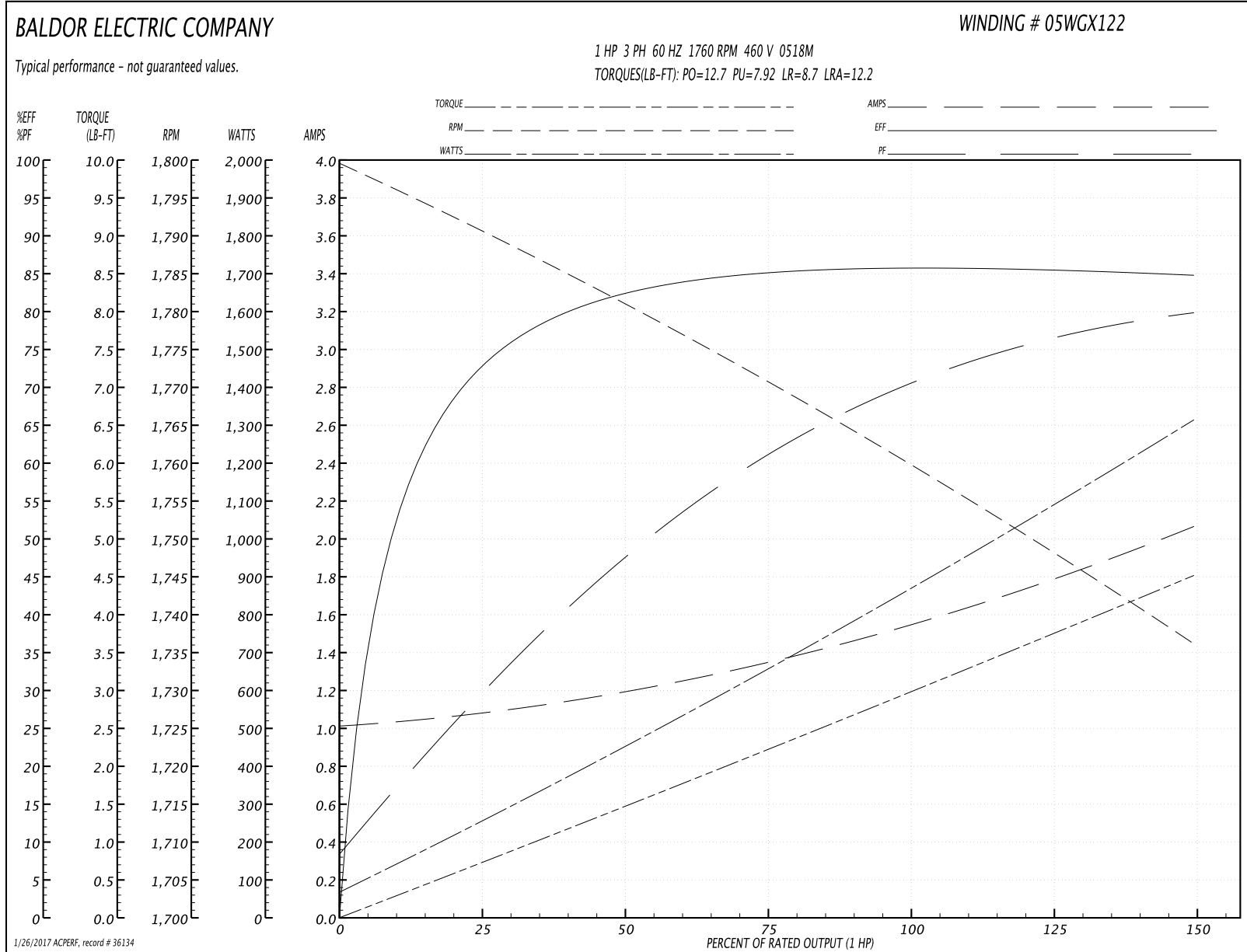
<b>Winding:</b> 05WGX122-R002	<b>Type:</b> 0518M	<b>Enclosure:</b> XPFC
-------------------------------	--------------------	------------------------

Nameplate Data				460 V, 60 Hz: High Voltage Connection	
Rated Output (HP)	1//.75			Full Load Torque	2.98 LB-FT
Volts	230/460//190/380			Start Configuration	direct on line
Full Load Amps	3/1.5//3/1.4			Breakdown Torque	12.7 LB-FT
R.P.M.	1760//1460			Pull-up Torque	7.92 LB-FT
Hz	60//50	Phase	3	Locked-rotor Torque	8.7 LB-FT
NEMA Design Code	B	KVA Code	L	Starting Current	12.2 A
Service Factor (S.F.)	1			No-load Current	1.02 A
NEMA Nom. Eff.	85.5	Power Factor	71	Line-line Res. @ 25°C	15.4 Ω
Rating - Duty	40C AMB-CONT			Temp. Rise @ Rated Load	29°C
				Locked-rotor Power Factor	54.1
				Rotor inertia	0.106 LB-FT <sup>2</sup>

Load Characteristics 460 V, 60 Hz, 1 HP

% of Rated Load	25	50	75	100	125	150
Power Factor	30	48	61	70	76	80
Efficiency	72.2	82.2	85.2	86	85.6	84.7
Speed	1790	1781	1771	1760	1748	1736
Line amperes	1.07	1.19	1.35	1.55	1.8	2.06

Performance Graph at 460V, 60Hz, 1.0HP Typical performance - Not guaranteed values



**AC Induction Motor Performance Data**

Record # 36135 - Typical performance - not guaranteed values

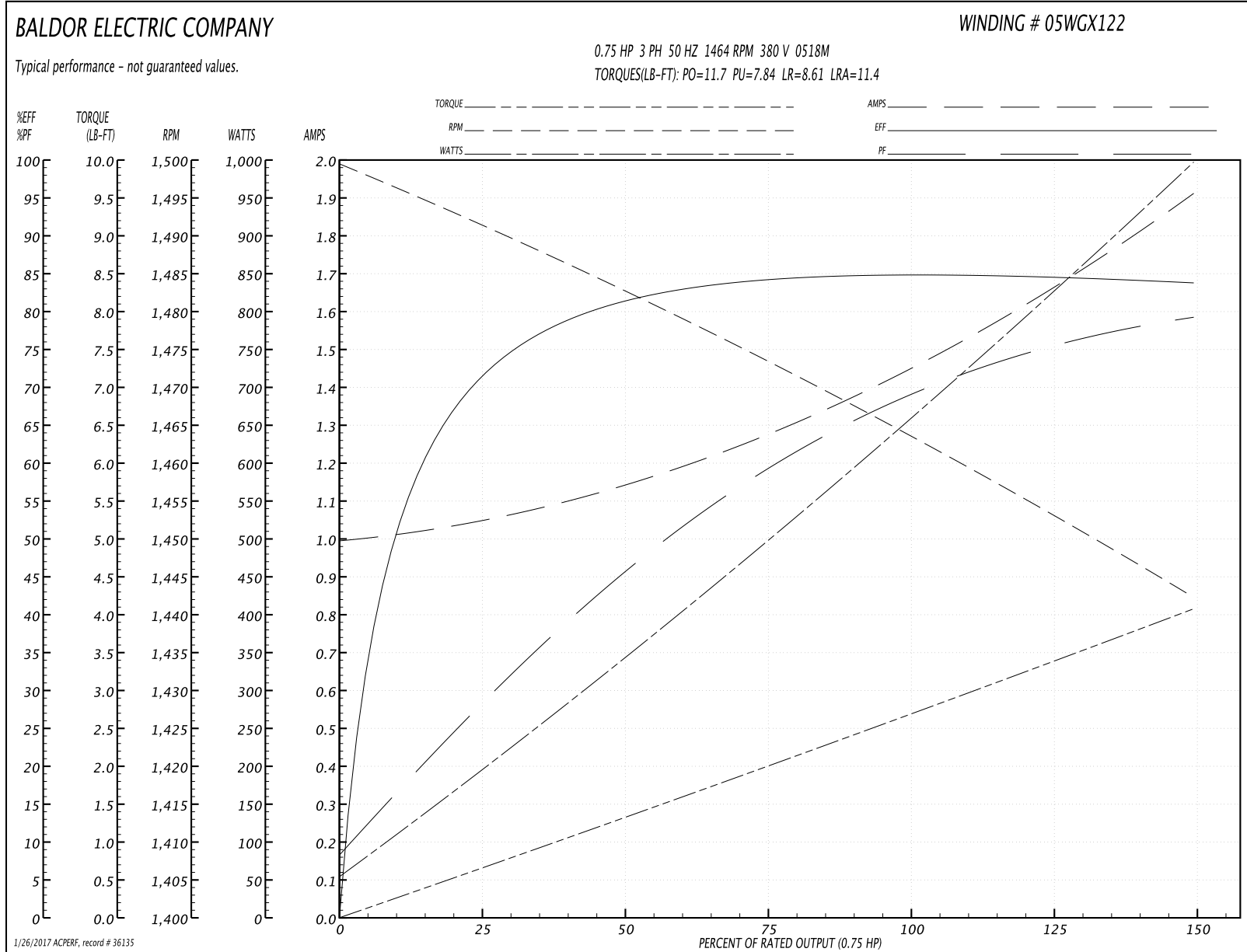
<b>Winding:</b> 05WGX122-R002	<b>Type:</b> 0518M	<b>Enclosure:</b> XPFC
-------------------------------	--------------------	------------------------

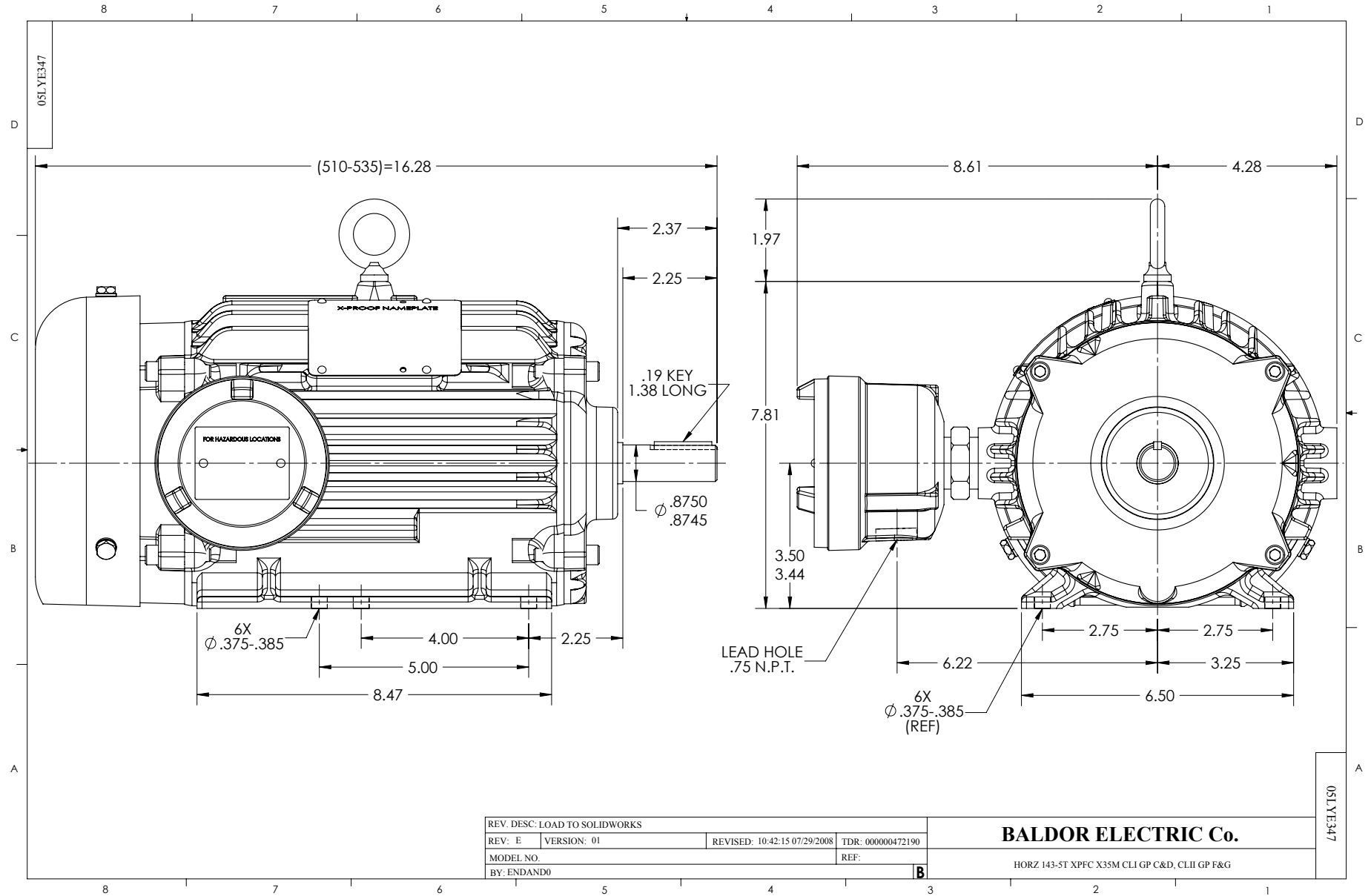
Nameplate Data				380 V, 50 Hz: High Voltage Connection	
Rated Output (HP)	1//.75			Full Load Torque	2.69 LB-FT
Volts	230/460//190/380			Start Configuration	direct on line
Full Load Amps	3/1.5//3/1.4			Breakdown Torque	11.7 LB-FT
R.P.M.	1760//1460			Pull-up Torque	7.84 LB-FT
Hz	60//50	Phase	3	Locked-rotor Torque	8.61 LB-FT
NEMA Design Code	B	KVA Code	L	Starting Current	11.4 A
Service Factor (S.F.)	1			No-load Current	1 A
NEMA Nom. Eff.	85.5	Power Factor	71	Line-line Res. @ 25°C	15.4 Ω
Rating - Duty	40C AMB-CONT			Temp. Rise @ Rated Load	26°C
				Locked-rotor Power Factor	59.7
				Rotor inertia	0.106 LB-FT <sup>2</sup>

Load Characteristics 380 V, 50 Hz, 0.75 HP

% of Rated Load	25	50	75	100	125	150
Power Factor	28	47	59	69	75	79
Efficiency	71	80.9	84.2	85.2	84.7	83.7
Speed	1491	1482	1474	1464	1453	1442
Line amperes	1.04	1.14	1.28	1.45	1.67	1.91

Performance Graph at 380V, 50Hz, 0.75HP Typical performance - Not guaranteed values





CD0005

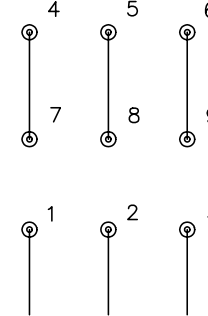


LOW VOLTAGE  
(2Y)



LINE

HIGH VOLTAGE  
(1Y)



LINE

NOTES:

1. INTERCHANGE ANY TWO LINE LEADS TO REVERSE ROTATION.
2. OPTIONAL THERMOSTATS ARE PROVIDED WHEN SPECIFIED.
3. ACTUAL NUMBER OF INTERNAL PARALLEL CIRCUITS MAY BE A MULTIPLE OF THOSE SHOWN ABOVE.
4. LEAD COLORS ARE OPTIONAL. LEADS MUST ALWAYS BE NUMBERED AS SHOWN.

REV. DESC: REVISE TO SHOW OPTIONAL COLORS			
REV. LTR: E	BY: JLP	REVISED: 01/19/99 10:15	TDR: 0171435
900000		FILE: AAA00005140	MDL: -
		MTL: -	

**BALDOR ELECTRIC Co.**

3PH, DV, 9 LEADS

CD0005