

BALDOR® • ***RELIANCE***

Product Information Packet

IDGM2406

G.M. S12BA 230V AC 60:1 28.7 RPM

Part Detail							
Revision:	C	Status:	PRD/A	Change #:		Proprietary:	No
Type:	AC	Prod. Type:	2512M	Elec. Spec:	25WGW500	CD Diagram:	CD0006A16
Enclosure:	TENV	Mfg Plant:		Mech. Spec:		Layout:	25E986W500G1
Frame:	BA	Mounting:		Poles:	04	Created Date:	10-02-2013
Base:		Rotation:	R	Insulation:	F	Eff. Date:	07-26-2016
Leads:	3#18					Replaced By:	
Literature:		Elec. Diagram:					

Nameplate NP1598A15

CAT.NO.	IDGM2406	SER.NO					
SPEC.	25E986W500G1						
VOLTS	230						
MAG CUR	.4	SL HZ	2.5				
RPM	1725	RPM MAX	2664				
HP	.05HP	HZ	60	PH	3	CLASS	F
FLA	.41	WK2	0.0046				
RATING	40C AMB-CONT						
RATIO	60:1	OUT/RPM	28.7				
TORQ/IN LB	30						
VTSR	6:1						
APRV-CSA	<input type="checkbox"/>	APRV-UL	<input type="checkbox"/>				

Parts List		
Part Number	Description	Quantity
SA270884	SA 25E986W500G1	1.000 EA
RA257513	RA 25E986W500G1	1.000 EA
SR002253	SR 25E986W500G1	1.000 EA
LC0006	CONNECTION LABEL	1.000 EA
25EP3100A08G	EP,25AC DE CL 60R8 RA 2.375 BC	1.000 EA
HW5002A44	N5002-112 RET RING INTERNBEVELED F/6001	1.000 EA
HW4600G69	SEAL .500 X 1.125 X .25, SGL LIP FT802	1.000 EA
RM1057	RUBBER SQUARE RING 1.424 I.D.	1.000 EA
WM0038A10	WORM,BE 60.0 INP 1.083 C.D.	1.000 EA
MJ5019A01	ADHESIVE LOCTITE #680 WAS BAD4525	0.010 EA
24CB3000A	CONDUIT BOX - MODEL 24	1.000 EA
XY0632A05	NUT, #6-32 SELF LOCKING	2.000 EA
XY0632A04	NUT, #6-32 ACORN, HIGH CROWN	1.000 EA
24CB3500A	CONDUIT BOX LID W/BALDOR LOGO	1.000 EA
15XP0619A08	#6-19X1/2 PAN HD PHILLIPS PLASTITE 48-2	4.000 EA
25EP2101A12G	EP,25AC ODE CL NONE W/ GREY POWDER COATI	1.000 EA
HW5109A08	WASHER, WAVE SPRING FOR 30MM BORE SMALLE	1.000 EA
11XT0832G04	8-32 X 1/4 TY 23 TAPPING	1.000 EA
HA3170A23	THRUBOLT,FLAT HD. #8-32 THDS X 5.625 LON	2.000 EA
BHG5353-002G	HOUSING, B BOX GEAR HEAD	1.000 EA
19XN1032A12	SCREW, HEX WASHER HEAD, #10-32 X .750	4.000 EA
HA4021A05	1/16 NPSF-HX SOC PIPE PLUG TAPER DRY SEA	1.000 EA
BH1104	PAPZ0808-P14 SLEEVE BRG	1.000 EA
BH1104	PAPZ0808-P14 SLEEVE BRG	1.000 EA

Parts List (continued)		
Part Number	Description	Quantity
60XM0832A08	SCREW, PAN TORX 8-32X.500 THREAD FORMING	3.000 EA
HW4600C29	SEAL, TCM #0507416 SCW .50X.75X.165 RB	1.000 EA
HA1194B02	BLADDER,BDE EXPANSION	1.000 EA
15XM0632A06	SCREW, 6-32X .375, THREAD FORMING	3.000 EA
BCG5491-001G	HSG,B CAP STD CLOSED	1.000 EA
RM1078	RUBBER SQUARE RING 1.864 I.D.	1.000 EA
MJ1000B02	KLUB. GH6-460 GEAR OIL 1 GALLON	0.010 GA
NP1598A15	NP,AC INV AD NONE V CSA UL GEAR MO VTSR	1.000 EA
MN416A01	TAG-INSTAL-MAINT no wire (1200/bx) 11/14	1.000 EA
LB1451	WARNING LABEL, CE WARNING SYMBOLS ONLY	1.000 EA
CPA1000	PACKING GROUP STD. SINGLE	1.000 EA

AC Induction Motor Performance Data

Record # 45278 - Typical performance - not guaranteed values

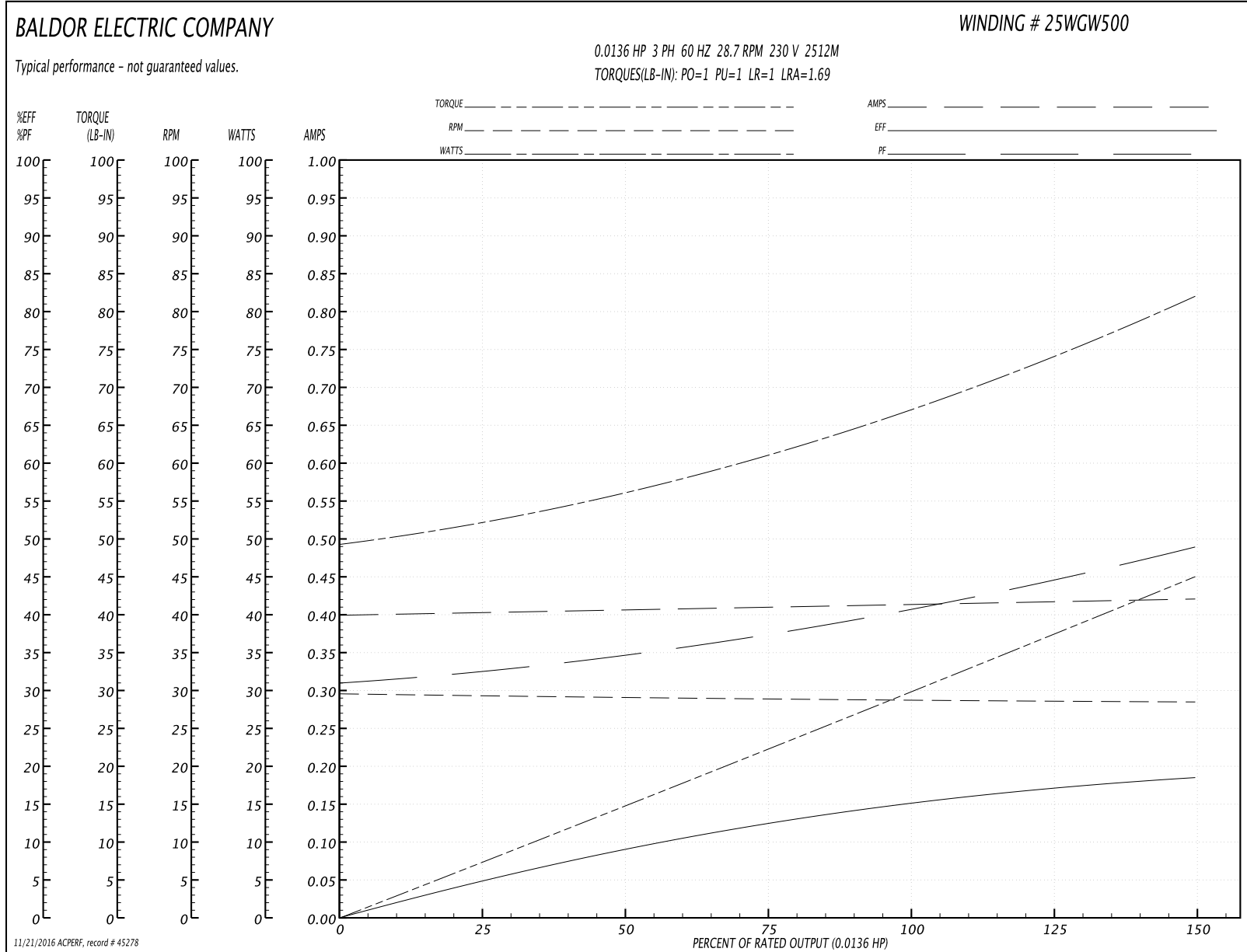
Winding: 25WGW500-R002 Gear Type: RIGHTANGLE	Type: 2512M Gear Style: BA	Enclosure: TENV Gear Ratio: 60:1
---	---	---

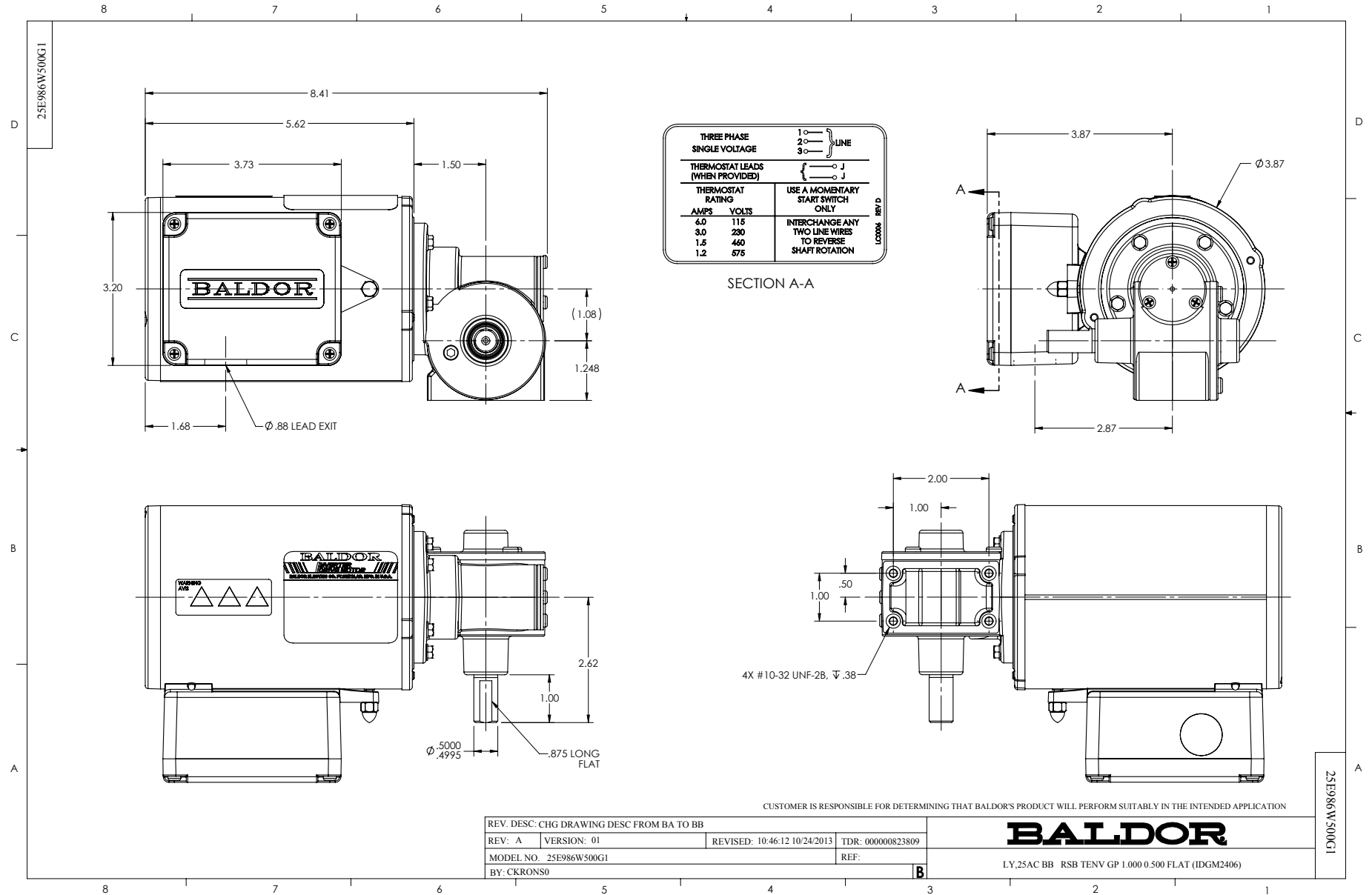
Nameplate Data				230 V, 60 Hz: Single Voltage Motor	
Rated Output (HP)	.05			Full Load Torque	30 LB-IN
Volts	230			Start Configuration	direct on line
Full Load Amps	.41			Breakdown Torque	1 LB-IN
R.P.M.	28.7			Pull-up Torque	1 LB-IN
Hz	60	Phase	3	Locked-rotor Torque	1 LB-IN
NEMA Design Code	-	KVA Code	P	Starting Current	1.69 A
Service Factor (S.F.)	1			No-load Current	0.4 A
NEMA Nom. Eff.	50.5	Power Factor	45	Line-line Res. @ 25°C	80.198 Ω
Rating - Duty	40C AMB-CONT			Temp. Rise @ Rated Load	

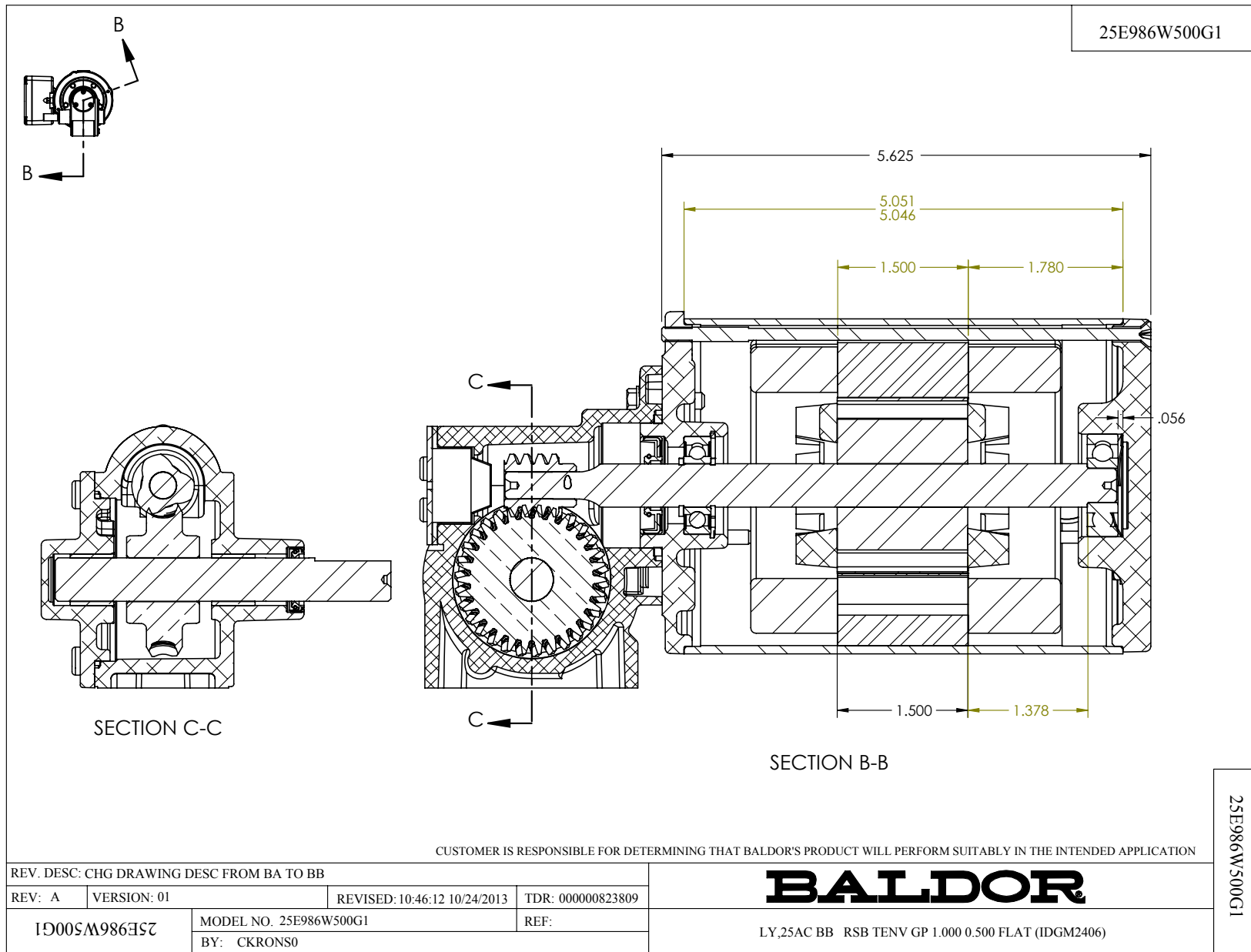
Load Characteristics 230 V, 60 Hz, 0.0136 HP

% of Rated Load	25	50	75	100	125	150
Power Factor	32	35	37	41	45	48
Efficiency	5.1	9.1	12.7	15.1	16.8	18.7
Speed	29.4	29.1	28.8	28.7	28.6	28.5
Line amperes	0.4	0.41	0.41	0.41	0.42	0.42

Performance Graph at 230V, 60Hz, 0.0136HP Typical performance - Not guaranteed values

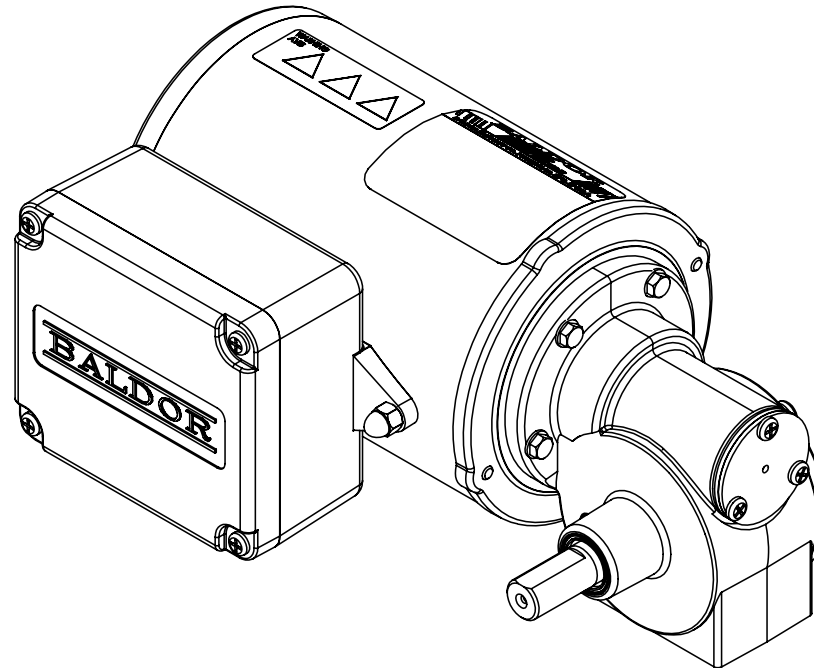






ITEM NO.	PART NUMBER	QTY.
1	25EP3100A08	1
2	BG60R8C03	1
3	HW5002A44	1
4	HW4600E07	1
5	25SH4006D22	1
6	25RC2012A00	1
7	BG6200C03	1
8	HW5060A27	2
9	WM0038A10	1
10	HW3082B05	1
11	25SB0043A09	1
12	24CB3000A	1
13	XY0632A05	2
14	XY0632A04	1
15	24CB3500A	1
16	15XP0619A08	4
17	25EP2101A12	1
18	HW5109A08	1
19	11XT0832G04	1
20	HA3170A23	2
21	RM1057	1
22	BHG5353-002	1
23	HA4021A05	1
24	19XN1032A12	4
25	HA1194B02	1
26	15XM0632A04	3
27	BH1104	2
28	HW4600C29	1
29	SH0100A01	1
30	GE0054A08	1
31	BCG5491-001	1
32	RM1078	1
33	15XN0832A08	3
34	NP1598A15	1
35	LB1451	1
36	LC0006	1

25E986W500G1



25E986W500G1

CUSTOMER IS RESPONSIBLE FOR DETERMINING THAT BALDOR'S PRODUCT WILL PERFORM SUITABLY IN THE INTENDED APPLICATION

REV. DESC: CHG DRAWING DESC FROM BA TO BB

REV: A VERSION: 01 REVISED: 10:46:12 10/24/2013 TDR: 00000823809

25E986W500G1

MODEL NO. 25E986W500G1
BY: CKRONSO

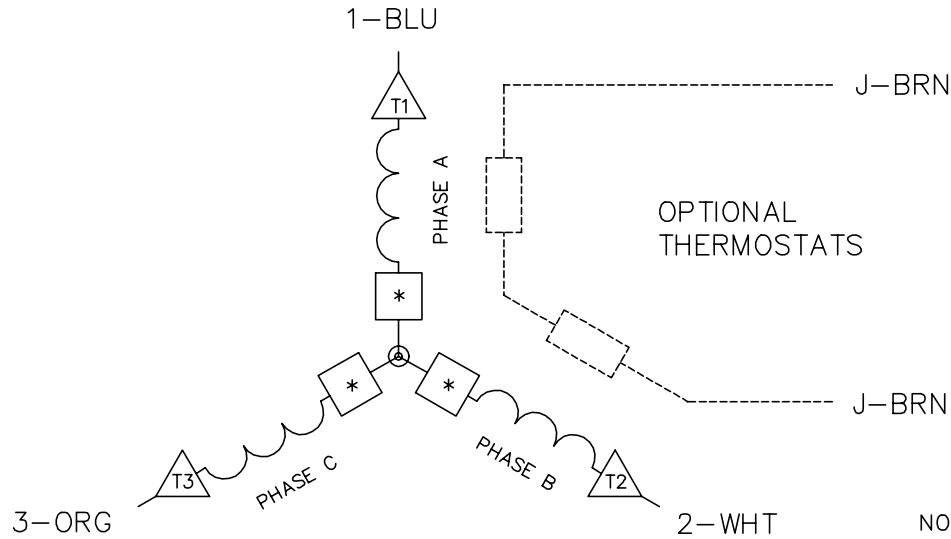
REF:

BALDOR

LY,25AC BB RSB TENV GP 1.000 0.500 FLAT (IDGM2406)

CD0006A16

TYPICAL WYE-CONNECTED MOTOR



NOTES:

1. THREE LEAD MOTOR MAY BE EITHER WYE CONNECTED OR DELTA CONNECTED.
2. INTERCHANGE ANY TWO LINE LEADS TO REVERSE ROTATION.
3. OPTIONAL THERMOSTATS ARE PROVIDED WHEN SPECIFIED.
4. ACTUAL NUMBER OF INTERNAL PARALLEL CIRCUITS MAY VARY.
5. LEAD COLORS ARE OPTIONAL. LEADS MUST BE NUMBERED AS SHOWN.
6. = MAGNET WIRE COIL END WITH I.D. NUMBER.
- = MAGNET WIRE COIL END WITH I.D. SYMBOL.
7. REFERENCE CW PRINT FOR NEST TO NEST CROSSOVER CONNECTIONS.

CD0006A16

REV. DESC: REMOVE DELTA CONNECTION		
REV. LTR: C	VERSION: 03	TDR: 000000977108
FILE: \CKA\00024\426	REVISED: 09:42:02 08/16/2016	BY: CKPAUDO
MTL: -	© □	

BALDOR

3PH, SV, 3 LEADS, WYE CONNECTED, CK

SH 1 of 1