

BALDOR® • *RELIANCE*

Product Information Packet

IDXM7556T

20HP,1770RPM,3PH,60HZ,284T,1046M,XPFC,F1

Part Detail							
Revision:	L	Status:	PRD/A	Change #:		Proprietary:	No
Type:	AC	Prod. Type:	1046M	Elec. Spec:	10WGY137	CD Diagram:	CD0005
Enclosure:	XPFC	Mfg Plant:		Mech. Spec:	10E647	Layout:	10LYE647
Frame:	284T	Mounting:	F1	Poles:	04	Created Date:	01-14-2011
Base:	RG	Rotation:	R	Insulation:	F	Eff. Date:	12-15-2015
Leads:	9#10					Replaced By:	
Literature:		Elec. Diagram:					

Nameplate NP0890XPSLEV									
NO.					CC	010A			
S/N					TEMP CODE	T2B			
SPEC.	10E647Y137G2				INV. TYPE	PWM			
CAT.NO.	IDX7556T				C HP FR	60		C HP TO	90
HP	20				CT HZ FROM	6		CT HZ TO	60
VOLTS	230/460				VT HZ FROM	6		VT HZ TO	60
AMPS	46/23				MAG CUR	15.8/7.9			
RPM	1770				MX RPM	2700			
HZ	60	PH	3	CL	F	NOM.EFF.	93		
SER.F.	1.00		DES	B	SL HZ	1	WK2	3.66	
FRAME	284T		RATING	40C AMB-CONT					

Parts List		
Part Number	Description	Quantity
SA215001	SA 10E647Y137G2	1.000 EA
RA202200	RA 10E647Y137G2	1.000 EA
09FN3001C02	EXTERNAL FAN, PLASTIC	1.000 EA
12CB1001A02	K.O.BOX, MACH X-PROOF, 1.25 NPT HOLE	1.000 EA
10XN3118K16	5/16-18 X 1' GRADE #5, STL, ZINC PLATE	4.000 EA
HW1001A31	LOCKWASHER 5/16, ZINC PLT.591 OD, .319 I	4.000 EA
WD1000B16	T&B CX70TN TERMINAL	1.000 EA
10XN2520K06	1/4-20 X 3/8" HX HD SCREWGRADE 5, ZINC P	1.000 EA
HW1001A25	LOCKWASHER 1/4, ZINC PLT .493 OD, .255 I	1.000 EA
10EP1701A01	FR ENDPLATE, MACH	1.000 EA
HA3050A03	3/8-16 X 2.25" GRADE 8 BOLT	4.000 EA
HW1001A38	LOCKWASHER 3/8, ZINC PLT .688 OD, .382 I	4.000 EA
HW5100A11	W3917-042 WVY WSHR (WB)	1.000 EA
10EP1709A08	PU ENDPLATE, X-PROOF W/LABYRINTH SHAFT G	1.000 EA
10XN2520K40	1/4-20 X 2-1/2 HEX HD CAPSCREW, GRADE 5,Z	4.000 EA
HW1001A25	LOCKWASHER 1/4, ZINC PLT .493 OD, .255 I	4.000 EA
HA3050A03	3/8-16 X 2.25" GRADE 8 BOLT	4.000 EA
HW1001A38	LOCKWASHER 3/8, ZINC PLT .688 OD, .382 I	4.000 EA
10FH1008A01	310 FAN HOUSING X-PROOF MACH.	1.000 EA
MG1025G05	WILKOFASST, 789.227, MED. GRAY CHAR. MET.	0.125 GA
10XN3118K12	5/16-18 X .75 GRADE 5, ZINC PLATED	3.000 EA
HW1001A31	LOCKWASHER 5/16, ZINC PLT.591 OD, .319 I	3.000 EA
12CB1501A01	COND.BOX LID, MACH., X-PROOF, 310,312	1.000 EA
10XN3816K20	3/8-16 X 1.25 HEX HD CAP GRADE 5	6.000 EA

Parts List (continued)		
Part Number	Description	Quantity
HW1001A38	LOCKWASHER 3/8, ZINC PLT .688 OD, .382 I	6.000 EA
HW2501H28	KEY, 1/2 SQ X 3.250	1.000 EA
LB1115N	LABEL,LIFTING DEVICE (ON ROLLS)	1.000 EA
HW4500A20	1/8NPT SL PIPE PLUG	2.000 EA
MJ1000A02	GREASE, POLYREX EM EXXON (USe 4824-15A)	0.130 LB
HW4500A20	1/8NPT SL PIPE PLUG	2.000 EA
HW2500A25	WOODRUFF KEY USA #1008 #BLOW CARBON STEE	1.000 EA
51XB1214A20	12-14X1.25 HXWSSLD SERTYB	1.000 EA
85XU0407S04	4X1/4 U DRIVE PIN STAINLESS	6.000 EA
LB1073	ALUM XP CAUTION LABEL	1.000 EA
MN416A01	TAG-INSTAL-MAINT no wire (1200/bx) 11/14	1.000 EA
WD4100A03	DE-750 HEYCO PLUG 62MP0750 MICRO PLASTIC	1.000 EA
LB1119N	WARNING LABEL	1.000 EA
LC0145B01	CONNECTION LABEL	1.000 EA
NP0890XPSLEV	SS XP INV UL CSA-EEV CC CL-I GP-D	1.000 EA
12PA1000	PACKAGING GROUP PRINT PK1024A06	1.000 EA

AC Induction Motor Performance Data

Page 1 of 1



AC Induction Motor Performance Data
 Record # 33311
 Typical performance - not guaranteed values

Winding: 10WGY137	Type: 1046M	Enclosure: XPFC
--------------------------	--------------------	------------------------

Nameplate Data			General Characteristics at 460 V, 60 Hz: High Volt Connection		
Rated Output (HP)	20		Full Load Torque	59.3 LB-FT	
Volts	230/460		Start Configuration	DOL	
Full Load Amps	46/23		Break Down Torque	189 LB-FT	
R.P.M.	1770		Pull-Up Torque	77.7 LB-FT	
Hz	60	Phase	Locked-rotor Torque	97.5 LB-FT	
NEMA Design Code	B	KVA Code	Starting Current	147 Amps	
Service Factor	1		No-load Current	7.87 Amps	
NEMA Nom. Eff.	93	P.F.	Line-line Res. @ 25°C.	0.378 Ohms	
Rating - Duty	40C AMB-CONT		Temp. Rise @ Rated Load	41°C	
S.F. Amps			Temp. Rise @ S.F. Load		

Load Characteristics at 460 Volts, 60 Hz, 20 HP

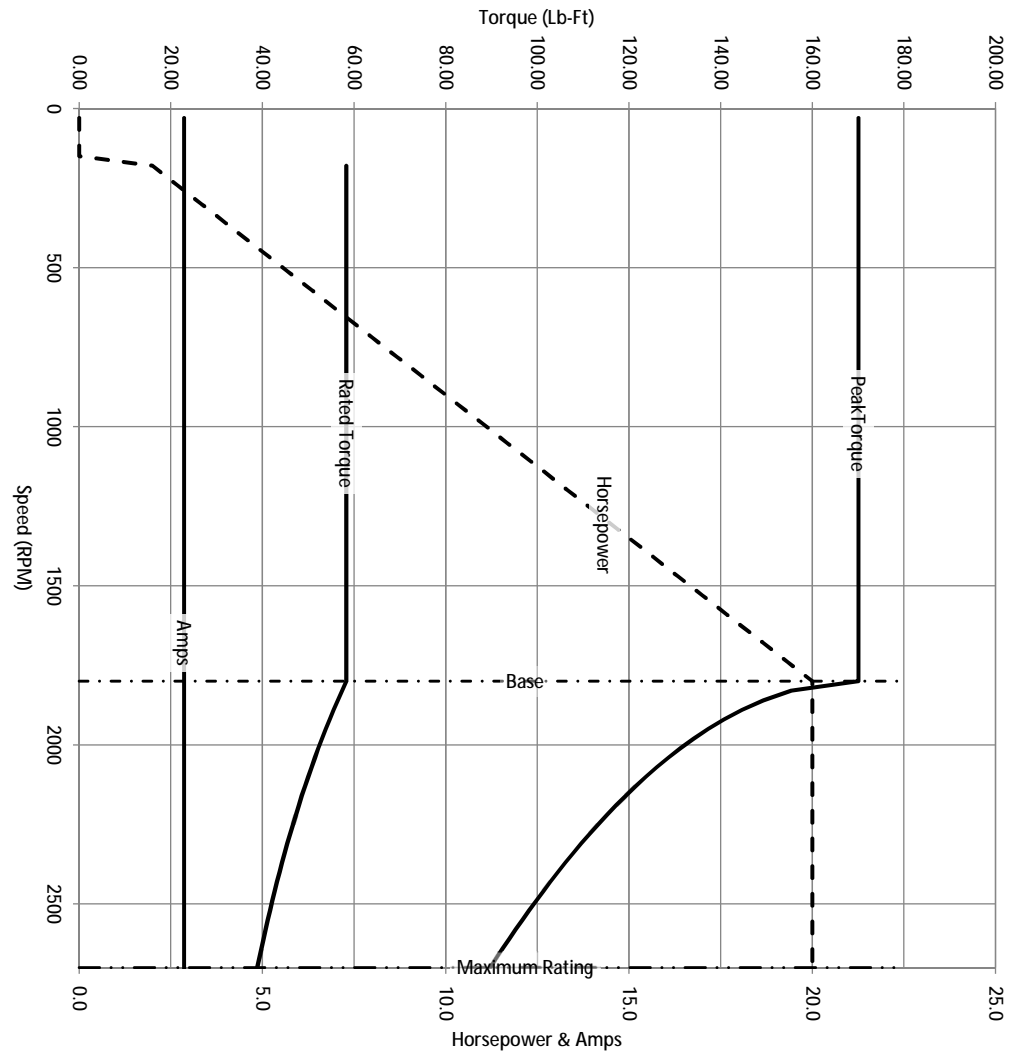
% of Rated Load	25	50	75	100	125	150	S.F.
Power Factor	57	78	85	88	88	87	
Efficiency	88.2	91.9	93.3	93.3	92.9	92.1	
Speed	1793	1785	1779	1771	1763	1755	
Line Amperes	9.51	13.1	17.8	22.9	28.5	34.7	

Baldor Electric Company Fort Smith, Arkansas

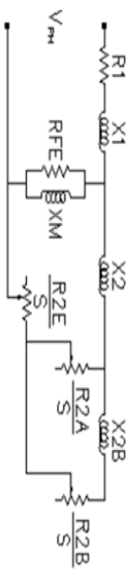


3/1/2013

Catalog	IDXM7556T	NP VOLTS	230/460	ENCLOSURE	XPFC	WVE CONN EQ CRT OHMS PER PHASE (BASE RATING, 20C)
FRAME	284T	NP AMPS	46/23	Base Volts	460	R1 0.197 X1 0.864
HP	20 HP	DUTY	Cont	Base AMPS	22.9	R2 0.795 X2 0.692
BASE SPEED	1800	MAX SAFE RPM	2700	Slip Hz	0.97	R2B 0.116 X2B 1.113
PHASE/HZ	3/60	AMB ⁰ /INSUL	40/F	WK ² (lb-ft ²)	3.66	R2E 0.041 XM1 26.254



Remarks: Calculated Data

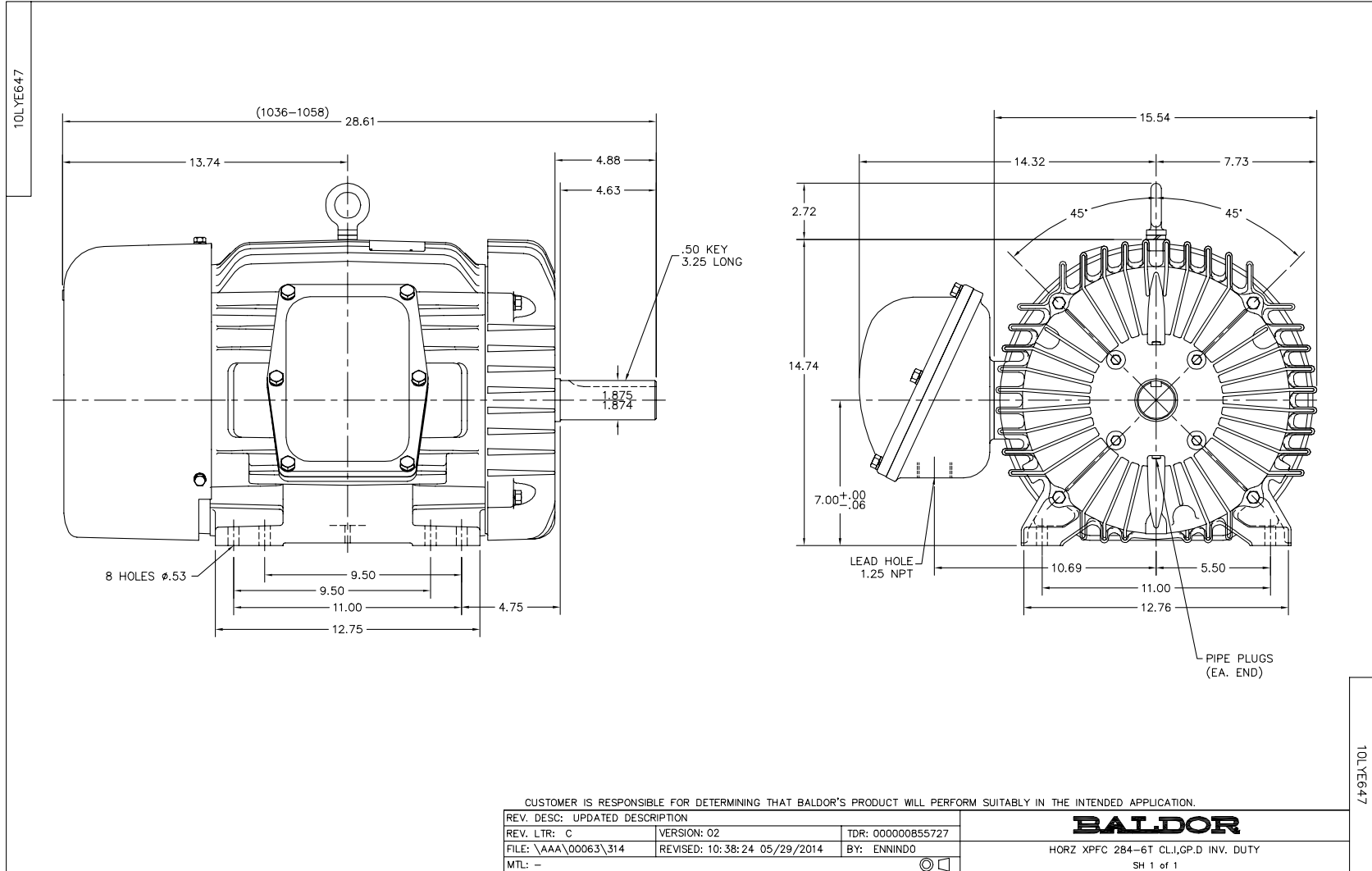


BALDOR DR BY ENR
 CK BY
 APP BY ENR
 DATE 3/1/2013

A MEMBER OF THE ABB GROUP

A-C MOTOR
 PERFORMANCE CURVES
 ISSUE DATE 3/1/2013

10E647Y137G2



CD0005



LOW VOLTAGE
(2Y)



LINE

HIGH VOLTAGE
(1Y)



LINE

NOTES:

1. INTERCHANGE ANY TWO LINE LEADS TO REVERSE ROTATION.
2. OPTIONAL THERMOSTATS ARE PROVIDED WHEN SPECIFIED.
3. ACTUAL NUMBER OF INTERNAL PARALLEL CIRCUITS MAY BE A MULTIPLE OF THOSE SHOWN ABOVE.
4. LEAD COLORS ARE OPTIONAL. LEADS MUST ALWAYS BE NUMBERED AS SHOWN.

REV. DESC: REVISE TO SHOW OPTIONAL COLORS			
REV. LTR: E	BY: JLP	REVISED: 01/19/99 10:15	TDR: 0171435
9000D		FILE: AAA00005140	MDL: -
		MTL: -	

BALDOR ELECTRIC Co.

3PH, DV, 9 LEADS

CD0005