

BALDOR® • *RELIANCE*

Product Information Packet

IDXM7558T

25HP,1775RPM,3PH,60HZ,324T,1250M,XPFC,F1

Part Detail							
Revision:	K	Status:	PRD/A	Change #:		Proprietary:	No
Type:	AC	Prod. Type:	1250M	Elec. Spec:	12WGX354	CD Diagram:	CD0180
Enclosure:	XPFC	Mfg Plant:		Mech. Spec:	12M099	Layout:	12LYM099
Frame:	324T	Mounting:	F1	Poles:	04	Created Date:	06-14-2011
Base:	RG	Rotation:	R	Insulation:	F	Eff. Date:	08-29-2016
Leads:	9#10					Replaced By:	
Literature:		Elec. Diagram:					

Nameplate NP0890XPSLEV									
NO.					CC	010A			
S/N					TEMP CODE	T2B			
SPEC.	12M099X354G1				INV. TYPE	PWM			
CAT.NO.	IDX7558T				C HP FR	60		C HP TO	90
HP	25				CT HZ FROM	6		CT HZ TO	60
VOLTS	230/460				VT HZ FROM	6		VT HZ TO	60
AMPS	60/30				MAG CUR	22.4/11.2			
RPM	1775				MX RPM	2700			
HZ	60	PH	3	CL	F	NOM.EFF.	93.6		
SER.F.	1.00	DES	B	SL HZ	0.7	WK2	6.66		
FRAME	324T	RATING	40C AMB-CONT						

Parts List		
Part Number	Description	Quantity
SA225484	SA 12M099X354G1	1.000 EA
RA212580	RA 12M099X354G1	1.000 EA
09FN3001B03SP	EXTERNAL FAN, PLASTIC	1.000 EA
12CB1001A01	K.O.BOX, MACH X-PROOF, 1.50 NPT HOLE	1.000 EA
10XN3118K16	5/16-18 X 1' GRADE #5, STL, ZINC PLATE	4.000 EA
HW1001A31	LOCKWASHER 5/16, ZINC PLT.591 OD, .319 I	4.000 EA
WD1000B16	T&B CX70TN TERMINAL	1.000 EA
10XN2520K06	1/4-20 X 3/8" HX HD SCREWGRADE 5, ZINC P	1.000 EA
HW1001A25	LOCKWASHER 1/4, ZINC PLT .493 OD, .255 I	1.000 EA
12EP1705A01	ENDPLATE, MACH. 312 - EXPLOSION PROOF 31	1.000 EA
HA3051A03	1/2-13X2.75 BLT GR8 1.75 TO E NC F/S	4.000 EA
HW1001A50	LOCKWASHER 1/2, ZINC PLT.,879 OD, .509 I	4.000 EA
HW5100A13	W4627-047 WVY WSHER	1.000 EA
12EP1706A01	ENDPLATE, MACH. 312 - EXPLOSION PROOF 31	1.000 EA
10XN3118K44	5/16-18 X 2.75" HEX HD, GRADE 5	4.000 EA
HW1001A31	LOCKWASHER 5/16, ZINC PLT.591 OD, .319 I	4.000 EA
HA3051A03	1/2-13X2.75 BLT GR8 1.75 TO E NC F/S	4.000 EA
HW1001A50	LOCKWASHER 1/2, ZINC PLT.,879 OD, .509 I	4.000 EA
12FH1001A01	FAN HOUSING 312 EXPLOSION PROOF MOTORS	1.000 EA
10XN3118K12	5/16-18 X .75 GRADE 5, ZINC PLATED	3.000 EA
HW1001A31	LOCKWASHER 5/16, ZINC PLT.591 OD, .319 I	3.000 EA
12CB1501A01	COND.BOX LID, MACH., X-PROOF, 310,312	1.000 EA
10XN3816K20	3/8-16 X 1.25 HEX HD CAP GRADE 5	6.000 EA
HW1001A38	LOCKWASHER 3/8, ZINC PLT .688 OD, .382 I	6.000 EA

Parts List (continued)		
Part Number	Description	Quantity
HW2501H33	KEY, 1/2 SQ X 3.875	1.000 EA
LB1115N	LABEL,LIFTING DEVICE (ON ROLLS)	1.000 EA
HW4500A20	1/8NPT SL PIPE PLUG	2.000 EA
MJ1000A02	GREASE, POLYREX EM EXXON (USe 4824-15A)	0.200 LB
HW4500A20	1/8NPT SL PIPE PLUG	2.000 EA
HW2500A25	WOODRUFF KEY USA #1008 #BLOW CARBON STEE	1.000 EA
51XB1214A20	12-14X1.25 HXWSSLD SERTYB	1.000 EA
MG1025G05	WILKOFASST, 789.227, MED. GRAY CHAR. MET.	0.125 GA
85XU0407S04	4X1/4 U DRIVE PIN STAINLESS	6.000 EA
LB1073	ALUM XP CAUTION LABEL	1.000 EA
MN416A01	TAG-INSTAL-MAINT no wire (1200/bx) 11/14	1.000 EA
LB1119N	WARNING LABEL	1.000 EA
LC0181	CONNECTION LABEL	1.000 EA
NP0890XPSLEV	SS XP INV UL CSA-EEV CC CL-I GP-D	1.000 EA
14PA1000	PACKAGING 314 GROUP COMBINED PRINT	1.000 EA

AC Induction Motor Performance Data

Page 1 of 1



AC Induction Motor Performance Data
 Record # 34463
 Typical performance - not guaranteed values

Winding: 12WG X354	Type: 1250M	Enclosure: XPFC
---------------------------	--------------------	------------------------

Nameplate Data			General Characteristics at 460 V, 60 Hz: High Volt Connection		
Rated Output (HP)	25		Full Load Torque	74 LB-FT	
Volts	230/460		Start Configuration	DOL	
Full Load Amps	60/30		Break Down Torque	256 LB-FT	
R.P.M.	1775		Pull-Up Torque	104 LB-FT	
Hz	60	Phase	Locked-rotor Torque	140 LB-FT	
NEMA Design Code	B	KVA Code	Starting Current	218 Amps	
Service Factor	1		No-load Current	11.2 Amps	
NEMA Nom. Eff.	93.6	P.F.	Line-line Res. @ 25°C.	0.216 Ohms	
Rating - Duty	40C AMB-CONT		Temp. Rise @ Rated Load	44°C	
S.F. Amps			Temp. Rise @ S.F. Load		

Load Characteristics at 460 Volts, 60 Hz, 25 HP

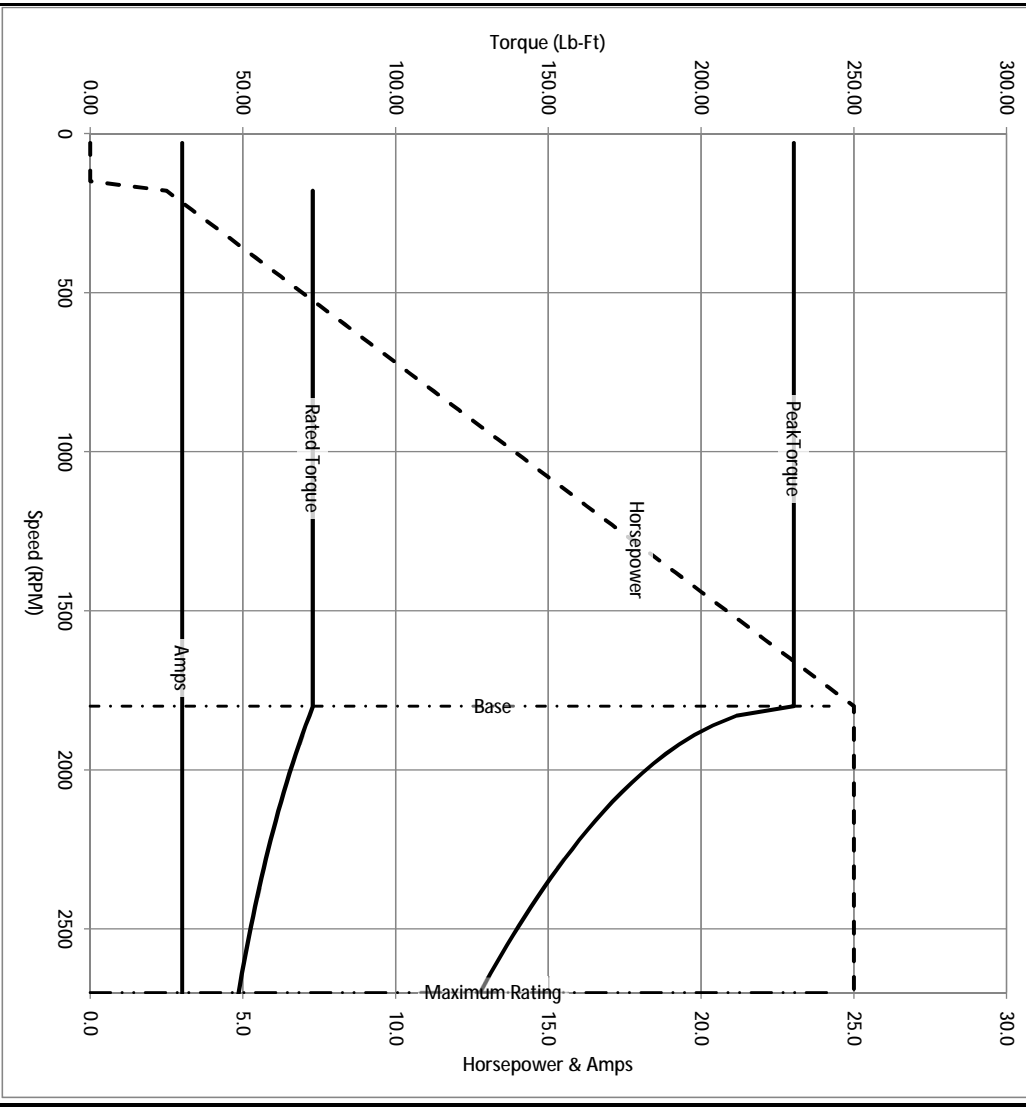
% of Rated Load	25	50	75	100	125	150	S.F.
Power Factor	51	72	80	83	85	86	
Efficiency	86.4	91.7	93.2	93.6	93.6	93.3	
Speed	1795	1791	1784	1779	1775	1768	
Line Amperes	13.6	18	23.7	30.1	36.7	43.8	

Baldor Electric Company Fort Smith, Arkansas

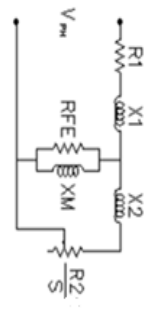


3/1/2013

Catalog	IDXM7558T	NP VOLTS	230/460	ENCLOSURE	XPFC	WYE CONN EQ CKT OHMS PER PHASE (BASE RATING, 20C)
FRAME	324T	NP AMPS	60/30	Base Volts	460	R1 0.115 X1 0.648
HP	25 HP	DUTY	Cont	Base AMPS	30.1	R2 0.088 X2 0.724
BASE SPEED	1800	MAX SAFE RPM	2700	Slip Hz	0.70	XM1 20.255
PHASE/HZ	3/60	AMB ⁰ /INSUL	40/F	WK ² (lb-ft ²)	6.66	



Remarks: Calculated Data

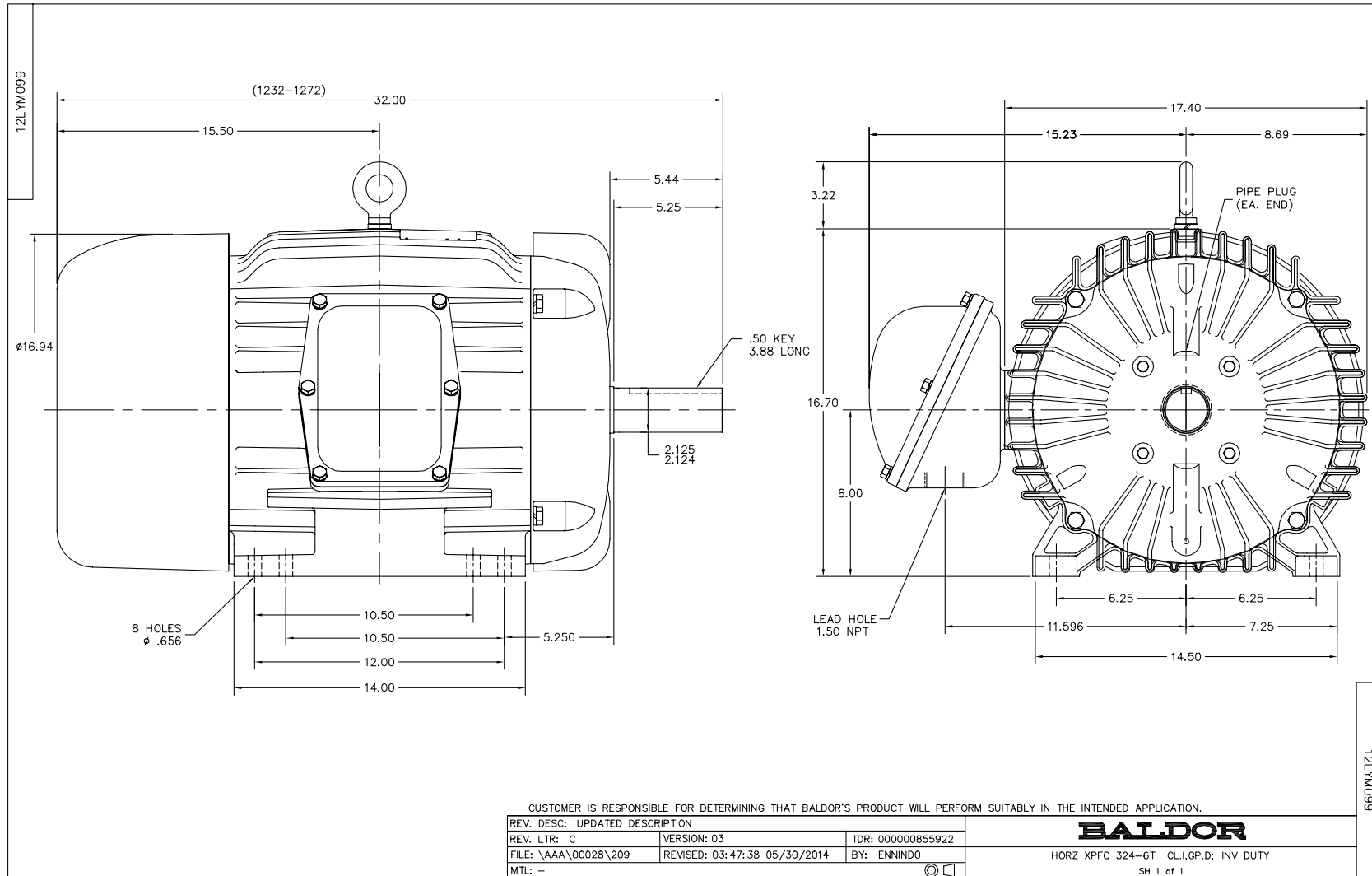


BALDOR DR BY ENR
 CK BY
 APP BY ENR
 DATE 3/1/2013

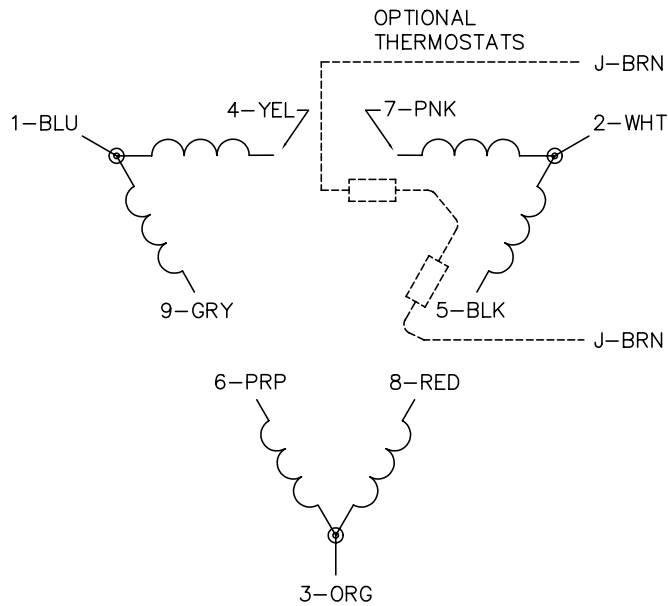
12M099X354G1

A-C MOTOR
 PERFORMANCE CURVES
 ISSUE DATE 3/1/2013

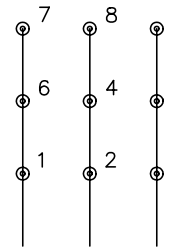
A MEMBER OF THE ABB GROUP



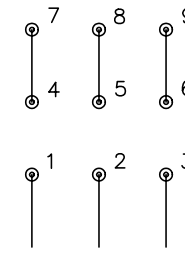
CD0180



LOW VOLTAGE
(2D)



HIGH VOLTAGE
(1D)



NOTES:

1. INTERCHANGE ANY TWO LINE LEADS TO REVERSE ROTATION.
2. OPTIONAL THERMOSTATS ARE PROVIDED WHEN SPECIFIED.
3. ACTUAL NUMBER OF INTERNAL PARALLEL CIRCUITS MAY BE A MULTIPLE OF THOSE SHOWN ABOVE.
4. LEAD COLORS ARE OPTIONAL. LEADS MUST ALWAYS BE NUMBERED AS SHOWN.

REV. DESC: REVISE TO SHOW OPTIONAL COLORS			
REV. LTR: C	BY: JLP	REVISED: 01/21/99 2:28	TDR: 0171435
0810D0		FILE: AAA00005148	MDL: -
		MTL: -	

BALDOR ELECTRIC Co.

3PH, DV, 9 LEADS, DELTA CONNECTION

CD0180