

BALDOR® • *RELIANCE*

Product Information Packet

JMSSEWDM3554T

1.5HP, 1765RPM, 3PH, 60HZ, 145JM, 3533M, TEFC

Part Detail							
Revision:	P	Status:	PRD/A	Change #:		Proprietary:	No
Type:	AC	Prod. Type:	3533M	Elec. Spec:	35WGP566	CD Diagram:	CD0005
Enclosure:	TEFC	Mfg Plant:		Mech. Spec:	35Z334	Layout:	35LYZ334
Frame:	145JM	Mounting:	F1	Poles:	04	Created Date:	01-18-2011
Base:	RG	Rotation:	R	Insulation:	H	Eff. Date:	11-01-2016
Leads:	9#18					Replaced By:	
Literature:		Elec. Diagram:					

Nameplate NP1953A01											
CAT.NO.	JMSSEWDM3554T										
SPEC.	35Z334P566G1										
HP	1.5										
VOLTS	230/460										
AMP	4.3/2.15										
RPM	1765										
FRAME	145JM					HZ	60			PH	3
SER.F.	1.15			CODE	M		DES	B		CLASS	H
NEMA-NOM-EFF	88.5				PF	74					
RATING	40C AMB-CONT										
CC	010A					USABLE AT 208V			4.7		
DE	6206					ODE	6205				
ENCL	TEFC			SN							

Parts List		
Part Number	Description	Quantity
SA243659	SA 35Z334P566G1	1.000 EA
RA230560	RA 35Z334P566G1	1.000 EA
34FN3002B01	EXTERNAL FAN, PLASTIC, .637/.639 HUB W/	1.000 EA
11XW1032G06	10-32 X .38, TAPTITE II, HEX WSHR SLTD U	1.000 EA
35EP1917A09	FREP TEFC 205 BRG NO GRS 4X.125 NPT (SS)	1.000 EA
RM1070A25	O-RING,VITON 6.19 ID X .062 C.S. NOM	1.000 EA
HW4600E99	AXIAL FACE SEAL 76925-9042-0447 SS CASE	1.000 EA
HW4500A33	1/8 NPT STAINLESS,HOLO-KROME #13002,PRES	3.000 EA
HW5100A05	WVY WSHR F/205 & 304 BRGS	1.000 EA
35PE1916A06	PULLEY 143-5TC ENCL 205 BRG (STAINLESS)	1.000 EA
RM1070A25	O-RING,VITON 6.19 ID X .062 C.S. NOM	1.000 EA
HW4600F25	AXIAL FACE SEAL AFX-30 304SS/V107 SS CAS	1.000 EA
HW4500A33	1/8 NPT STAINLESS,HOLO-KROME #13002,PRES	3.000 EA
RM1070A26	O-RING,4.5MM I.D.X1.5MM C.S. (VITON)	4.000 EA
51XB1214A16	12-14X1.00 HXWSSLD SERTYB	1.000 EA
35FH4005A39	IEC FH NO GREASER (#304 SS)CLEAN ONLY	1.000 EA
10XN1032S06	HEX HD CAP SCREW, SS	3.000 EA
36GS3008SP	WHITE NEOPREME KO BOX LID GASKET	1.000 EA
35CB4515	35 CB LID #304 STAINLESS STEEL	1.000 EA
59XN0832S07	8/32 X 7/16 HX WS HD SER X	4.000 EA
HW2502D13	SS KEY, 3/16 SQ X 1.375	1.000 EA
HA7000A04	KEY RETAINER 0.625 DIA SHAFTS	1.000 EA
MJ5001A27	32220KN GRAY SEALER *MIN BUY 4 QTS=1GAL	0.005 QT
MJ5004A37	#76732 LOCTITE ANTISEIZE THRD COMPOUND	0.005 EA

Parts List (continued)		
Part Number	Description	Quantity
HA5027A02	HA4054 T-DRAIN X2 BAGGED WITH LABEL	1.000 EA
MJ1000A02	GREASE, POLYREX EM EXXON (USe 4824-15A)	0.050 LB
WD5603A01	KIT, CLOSED-END LEAD SPLICE (18-14GA)	1.000 EA
HA3100S05	THRUBOLT - 10-32 X 10.125 302 OR 303	4.000 EA
G7PA1000	PKG GRP, PRINT PK1034A06	1.000 EA
MN416A01	TAG-INSTAL-MAINT no wire (1200/bx) 11/14	1.000 EA
HA5027A07	85XU1208S08 FACE DRAIN PINS BAGGED	1.000 EA

AC Induction Motor Performance Data

Record # 25316 - Typical performance - not guaranteed values

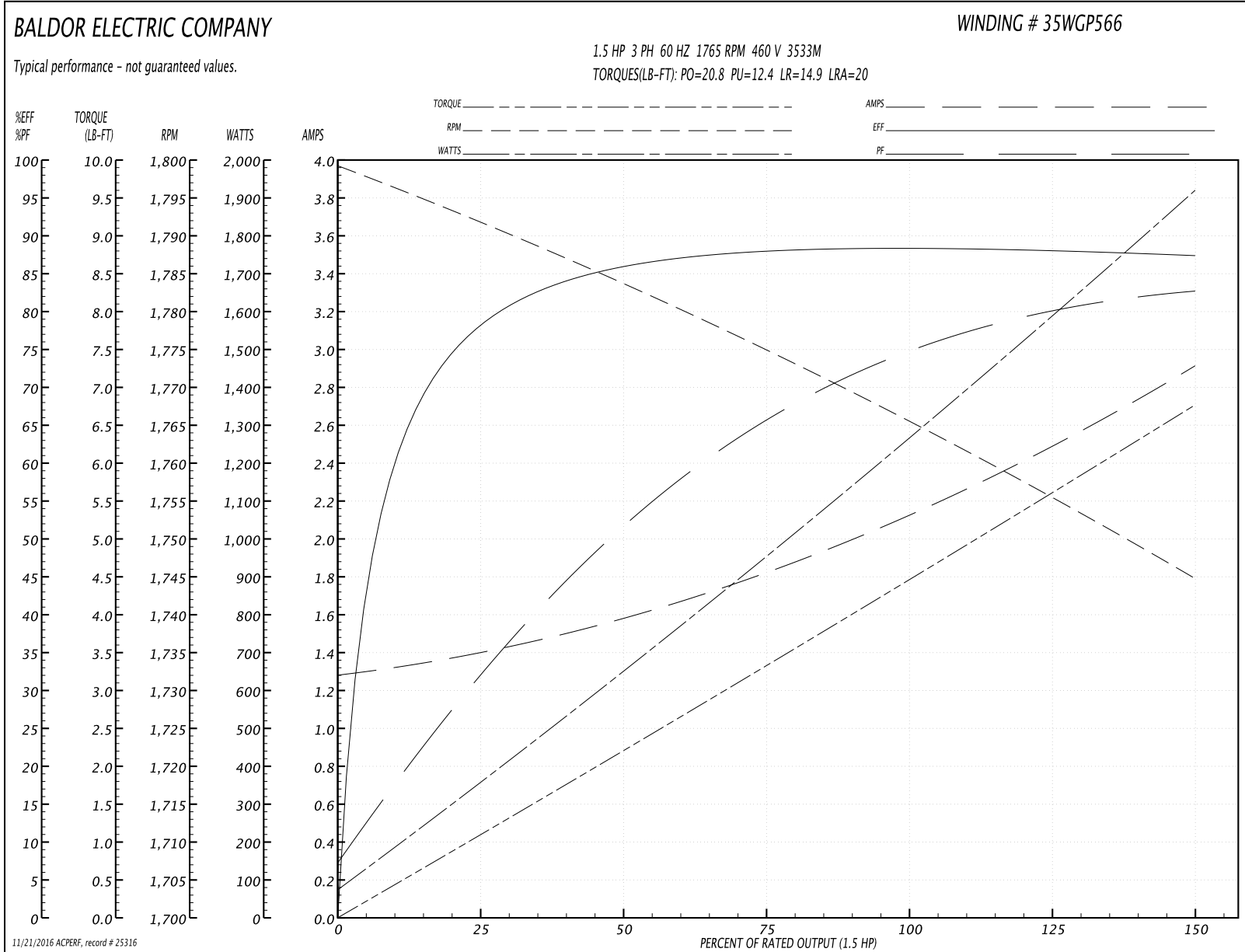
Winding: 35WGP566-R001	Type: 3533M	Enclosure: TEFC
-------------------------------	--------------------	------------------------

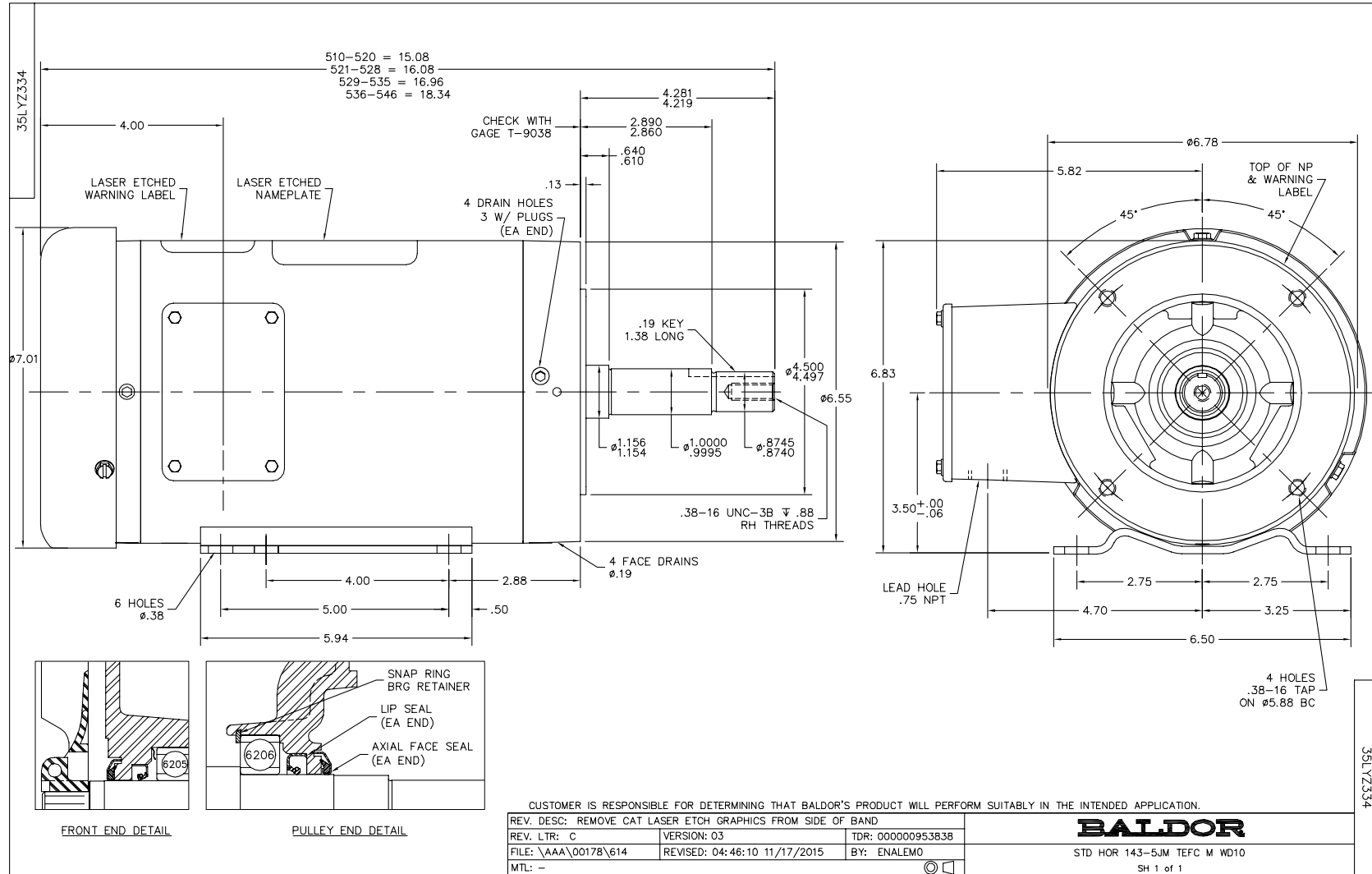
Nameplate Data				460 V, 60 Hz: High Voltage Connection	
Rated Output (HP)	1.5			Full Load Torque	4.49 LB-FT
Volts	230/460			Start Configuration	direct on line
Full Load Amps	4.30/2.15			Breakdown Torque	20.8 LB-FT
R.P.M.	1765			Pull-up Torque	12.4 LB-FT
Hz	60	Phase	3	Locked-rotor Torque	14.9 LB-FT
NEMA Design Code	B	KVA Code	M	Starting Current	20 A
Service Factor (S.F.)	1.15			No-load Current	1.3 A
NEMA Nom. Eff.	88.5	Power Factor	74	Line-line Res. @ 25°C	8.35 Ω
Rating - Duty	40C AMB-CONT			Temp. Rise @ Rated Load	40°C
S.F. Amps				Temp. Rise @ S.F. Load	50°C

Load Characteristics 460 V, 60 Hz, 1.5 HP

% of Rated Load	25	50	75	100	125	150	S.F.
Power Factor	33	52	66	74	80	83	78
Efficiency	78.5	86	88.2	88.6	88.2	87.5	88.4
Speed	1792	1784	1775	1765	1755	1745	1759
Line amperes	1.38	1.56	1.83	2.15	2.51	2.9	2.37

Performance Graph at 460V, 60Hz, 1.5HP Typical performance - Not guaranteed values





CD0005



LOW VOLTAGE
(2Y)



LINE

HIGH VOLTAGE
(1Y)



LINE

NOTES:

1. INTERCHANGE ANY TWO LINE LEADS TO REVERSE ROTATION.
2. OPTIONAL THERMOSTATS ARE PROVIDED WHEN SPECIFIED.
3. ACTUAL NUMBER OF INTERNAL PARALLEL CIRCUITS MAY BE A MULTIPLE OF THOSE SHOWN ABOVE.
4. LEAD COLORS ARE OPTIONAL. LEADS MUST ALWAYS BE NUMBERED AS SHOWN.

REV. DESC: REVISE TO SHOW OPTIONAL COLORS			
REV. LTR: E	BY: JLP	REVISED: 01/19/99 10:15	TDR: 0171435
90000		FILE: AAA00005140	MDL: -
		MTL: -	

BALDOR ELECTRIC Co.

3PH, DV, 9 LEADS

CD0005