

# **BALDOR**® • **RELIANCE**

## **Product Information Packet**

# **L5020**

**5HP,1725RPM,1PH,60HZ,215,3744LC,XPFC,F1**

Part Detail							
Revision:	B	Status:	PRD/A	Change #:		Proprietary:	No
Type:	AC	Prod. Type:	3744LC	Elec. Spec:	37WGR623	CD Diagram:	CD0017A02
Enclosure:	XPFC	Mfg Plant:		Mech. Spec:	37J018	Layout:	37LYJ018
Frame:	215	Mounting:	F1	Poles:	04	Created Date:	05-08-2014
Base:	RG	Rotation:	R	Insulation:	B	Eff. Date:	09-11-2015
Leads:	2#10 A PH,2#14 B PH					Replaced By:	
Literature:		Elec. Diagram:					

<b>Nameplate NP0015XPSL</b>	
NO.	<input type="text"/>
SER.	<input type="text"/>
SPEC.	37J018R623G1
CAT.NO.	L5020
HP	5
VOLTS	230
AMPS	21
RPM	1725
HZ	60
SER.F.	1.00
RATING	40C AMB-CONT
FRAME	215
USABLE AT 208V	<input type="text"/>
BLANK	<input type="text"/>

CC	<input type="text"/>
T. CODE	T2C
PH	1
CL	B
DES	-
CODE	J
NEMA-NOM-EFF	84
PF	92

Parts List		
Part Number	Description	Quantity
SA280815	SA 37J018R623G1	1.000 EA
RA267315	RA 37J018R623G1	1.000 EA
OC3030F11SP	CYL OIL CAP 30MFD/370V	1.000 EA
EC1216C06SP	ELEC CAP, 216-259 MFD, 250V, 2.06D X 4.	2.000 EA
35CB3001A02SP	EXPL PROOF CONDUIT BOX, 3/4"PIPE TAP LEA	1.000 EA
11XW1032G06	10-32 X .38, TAPTITE II, HEX WSHR SLTD U	1.000 EA
HW3001B01	BRASS CUP WASHER, FOR #8 SCREW	1.000 EA
37EP1703A01	FRONT EP, XPFC	1.000 EA
HW4500A19	1/4-28X1/4 SLOTTED PLUG F/S	2.000 EA
51XW0832A07	8-32 X .44, TAPTITE II, HEX WSHR SLTD SE	2.000 EA
HW5100A06	W2420-025 WVY WSHR (WB)	1.000 EA
37EP1701A02	PU ENDPLATE,TEFC, 1 FAN, W/GREASER, MACH	1.000 EA
HW4500A19	1/4-28X1/4 SLOTTED PLUG F/S	2.000 EA
XY5013A12	NUT,1/2-13,HEX,STEEL,ZINCPLATED	4.000 EA
07FH4007A03	IEC FH W/GRSR @ 2&10, 3 F/C HOL ROT 90 C	1.000 EA
51XW1032A06	10-32 X .38, TAPTITE II, HEX WSHR SLTD S	3.000 EA
35CB3500A01SP	CONDUIT BOX LID, MACH	1.000 EA
51XN2520A16	SCREW, HEX WS SLT, ZN, 1/4-20 X 1.00	4.000 EA
HW2501E18	KEY, 1/4 SQ X 2.000	1.000 EA
HA7000A02	KEY RETAINER RING, 1 1/8 DIA, 1 3/8 DIA	1.000 EA
NP0018F	ALUM UL XP CONDUIT BOX NAMEPLATE	1.000 EA
LB1115N	LABEL,LIFTING DEVICE (ON ROLLS)	1.000 EA
85XU0407S04	4X1/4 U DRIVE PIN STAINLESS	6.000 EA
HA6003A07	CAPACITOR CLAMP 37 XPROOF PLATED	3.000 EA

<b>Parts List (continued)</b>		
<b>Part Number</b>	<b>Description</b>	<b>Quantity</b>
51XW1032A08	10/32X1/2 HXWSHR HD, SL, SERATED	2.000 EA
MJ1000A02	GREASE, POLYREX EM EXXON (USe 4824-15A)	0.050 LB
37FN3002A01SP	EXFN, PLASTIC, 9.00 OD, 1.155 ID	1.000 EA
51XB1214A20	12-14X1.25 HXWSSLD SERTYB	1.000 EA
MG1025G29	WILKOFASST, 789.229, DARK CHARCOAL GRAY	0.028 GA
SP5172A33	.7 TYPE L TORQ STAT SWITCH LEAD ASSEMBLY	1.000 EA
HA3106A03	THRUBOLT- 1/2-13 X 11.875 X	4.000 EA
LB1119N	WARNING LABEL	1.000 EA
MN416A01	TAG-INSTAL-MAINT no wire (1200/bx) 11/14	1.000 EA
LC0017A01	CONN LABEL-1 PHASE-SINGLE VOLT-REV ROT X	1.000 EA
NP0015XPSL	SS XP UL CSA CC CL-I GP-D	1.000 EA
37PA1039	PALLET PACK GRP, PRINT PK1026A06	1.000 EA

**AC Induction Motor Performance Data**

Record # 45735 - Typical performance - not guaranteed values

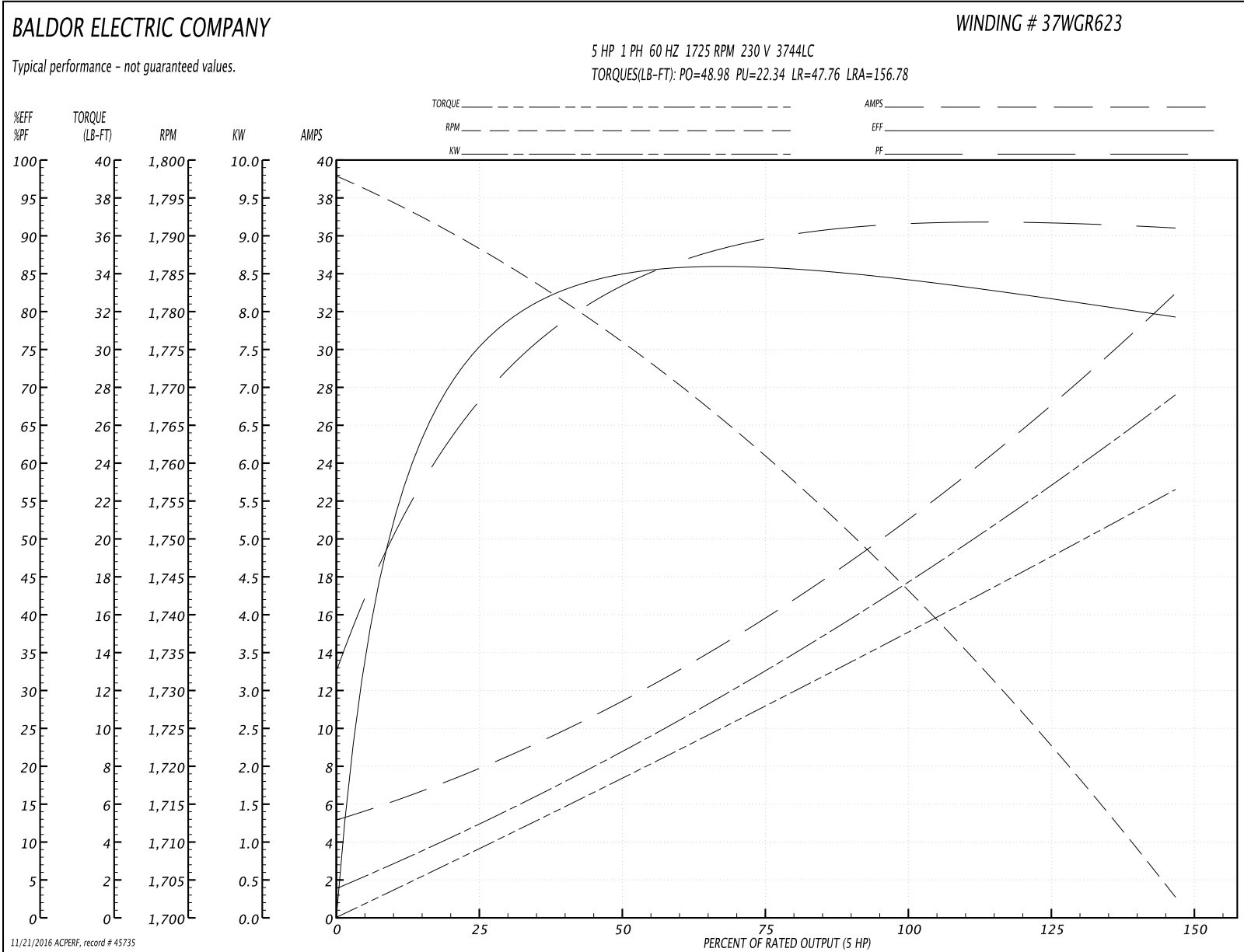
<b>Winding:</b> 37WGR623-R001	<b>Type:</b> 3744LC	<b>Enclosure:</b> XPFC
-------------------------------	---------------------	------------------------

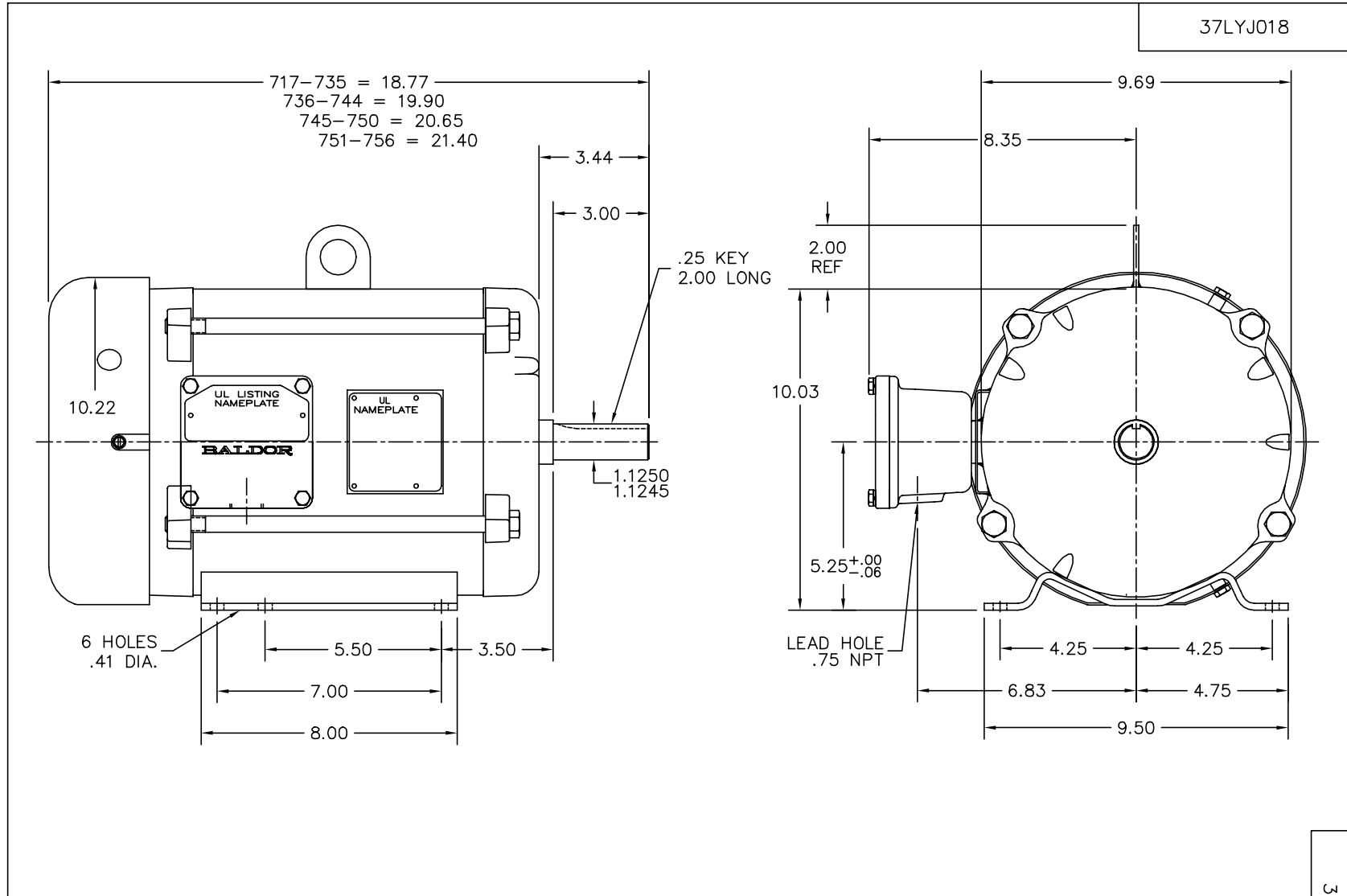
Nameplate Data				230 V, 60 Hz: Single Voltage Motor	
Rated Output (HP)	5			Full Load Torque	15.1 LB-FT
Volts	230			Start Configuration	direct on line
Full Load Amps	21			Breakdown Torque	48.98 LB-FT
R.P.M.	1725			Pull-up Torque	22.34 LB-FT
Hz	60	Phase	1	Locked-rotor Torque	47.76 LB-FT
NEMA Design Code	-	KVA Code	J	Starting Current	156.78 A
Service Factor (S.F.)	1			No-load Current	5.3 A
NEMA Nom. Eff.	84	Power Factor	92	Line-line Res. @ 25°C	0.298 Ω A Ph 2.17 Ω B Ph
Rating - Duty	40C AMB-CONT			Temp. Rise @ Rated Load	75°C

Load Characteristics 230 V, 60 Hz, 5 HP

% of Rated Load	25	50	75	100	125	150
Power Factor	76	87	91	92	93	92
Efficiency	74.9	84.1	85.7	84.5	82.4	78.9
Speed	1787	1774	1761	1743	1726	1701
Line amperes	7.7	11.6	16.2	21.1	26.7	33

Performance Graph at 230V, 60Hz, 5.0HP Typical performance - Not guaranteed values





CUSTOMER IS RESPONSIBLE FOR DETERMINING THAT MOTOR PERFORMANCE IS SUITABLE IN THE APPLICATION.

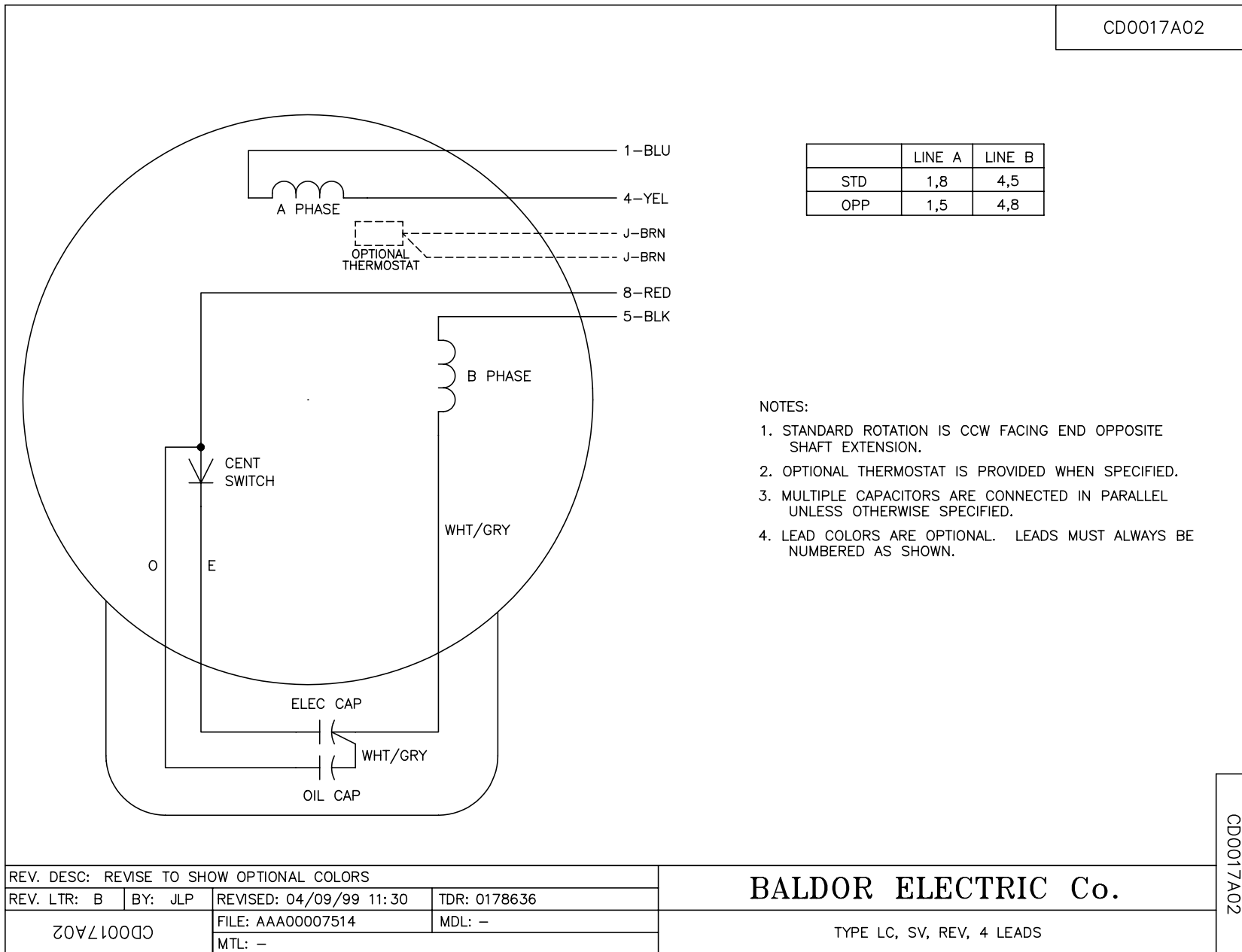
REV. DESC: 37EP1703A01 WAS 37EP1703A09			
REV. LTR: D	BY: EAO	REVISED: 10:57:11 01/31/2001	TDR: 228720
810A7C		FILE: AAA00025367	REF: 37LYJ018
		MTL: -	

**BALDOR ELECTRIC Co.**

STD HOR 213-5 XPFC 37L CL-1 GP-D

37LYJ018

CD0017A02



CD0017A02

REV. DESC: REVISE TO SHOW OPTIONAL COLORS			
REV. LTR: B	BY: JLP	REVISED: 04/09/99 11:30	TDR: 0178636
CD0017A02		FILE: AAA00007514	MDL: -
		MTL: -	

**BALDOR ELECTRIC Co.**

TYPE LC, SV, REV, 4 LEADS