

BALDOR® • RELIANCE

Product Information Packet

MVM3458D

.25KW, 1725RPM, 3PH, 60HZ, D71D, 3320M, TEFC

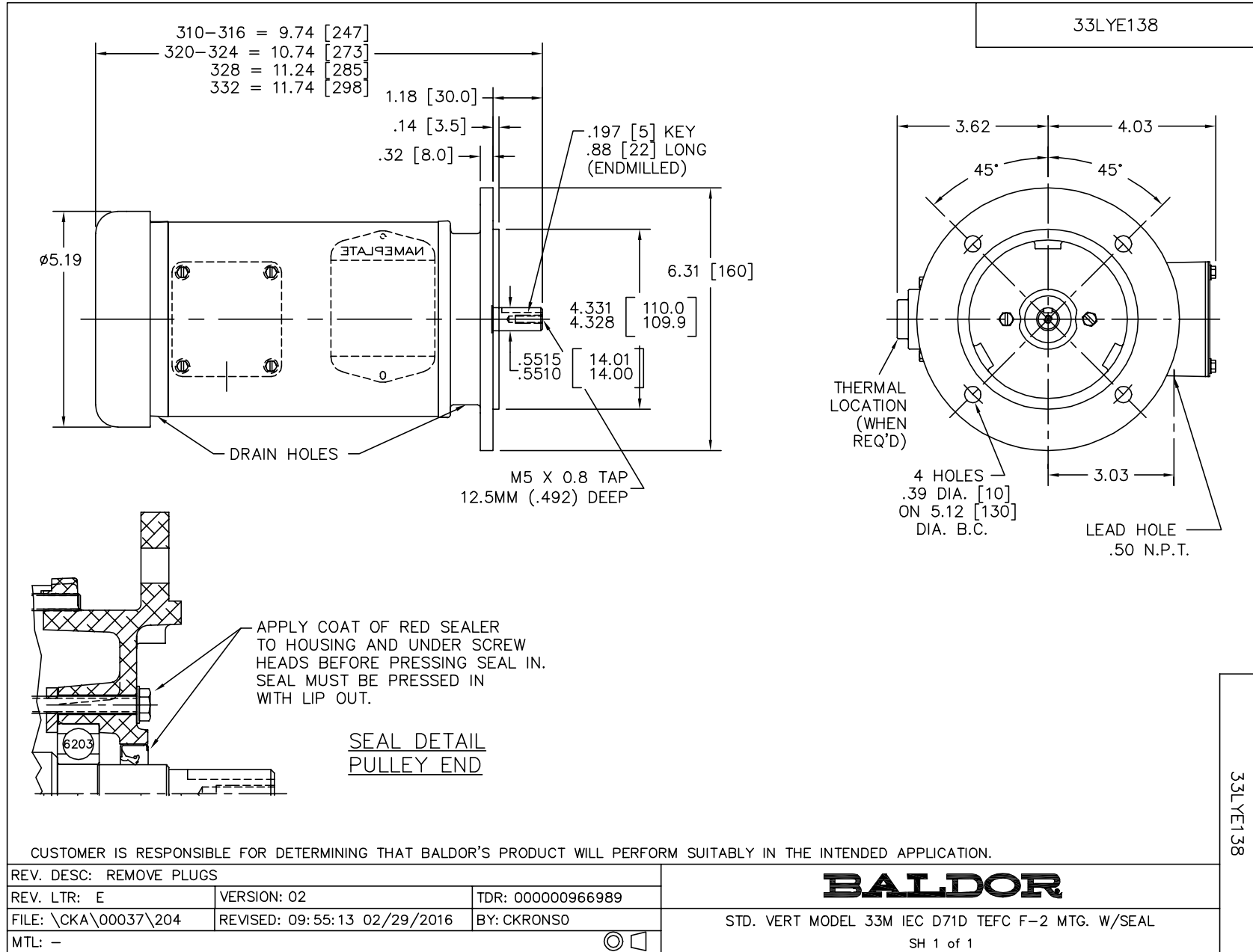
Part Detail							
Revision:	AK	Status:	PRD/A	Change #:		Proprietary:	No
Type:	AC	Prod. Type:	3320M	Elec. Spec:	33WG0675	CD Diagram:	CD0005A05
Enclosure:	TEFC	Mfg Plant:		Mech. Spec:	33E138	Layout:	33LYE138
Frame:	D71D	Mounting:	F2	Poles:	04	Created Date:	06-25-2007
Base:	N	Rotation:	R	Insulation:	B	Eff. Date:	09-07-2016
Leads:	9#18					Replaced By:	
Literature:		Elec. Diagram:					

Nameplate NP1379L					
CAT.NO.	MVM3458D				
SPEC.	33E138-0675G1				
IEC FRAME	D71D	K.W.	.25 T TE		
VOLTS	230/460				
AMP	1.4/7				
RPM	1725	I.P.	54		
HZ	60	PH	3	CL	B
SER.F.	1.35	DES	B	CODE	-
NEMA-NOM-EFF	74	PF	58		
RATING	40C AMB-CONT				
CC		USABLE AT 208V	1.7		
DE	6203	ODE	6203		
SER. #					
	SFA 1.6/.8				

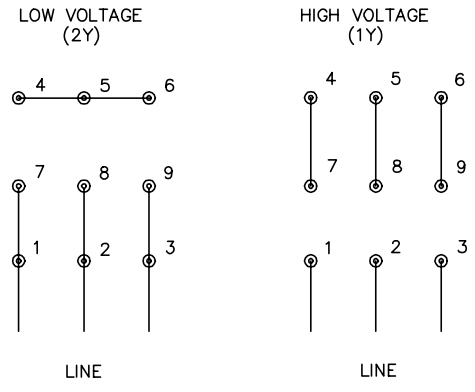
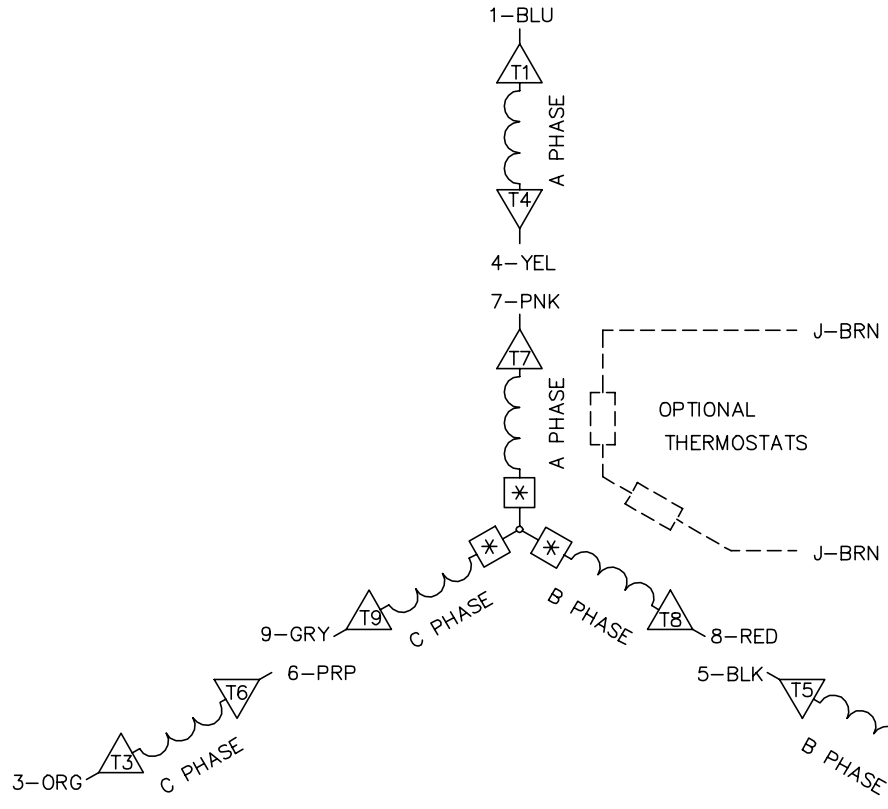
Parts List		
Part Number	Description	Quantity
SA010531	SA 33E138-0675G1	1.000 EA
RA006883	RA 33E138-0675G1	1.000 EA
LC0005	CONN.DIA.,TY M,9-LD,DUAL VOLT,REVERSING	1.000 EA
34CB3002A16	CB W/.50 N.P.T. @ 6	1.000 EA
34GS1029A01	GASKET, CONDUIT BOX	1.000 EA
51XB1016A07	10-16 X 7/16 HXWSSLD SERTYB	2.000 EA
11XW1032G06	10-32 X .38, TAPTITE II, HEX WSHR SLTD U	1.000 EA
33EP3100A01SP	EP,33AC ODE GP 6203 TEFC W/DRAIN	1.000 EA
HW5109A05	WASHER, WAVE SPRING FOR 40MM BORE SMALLE	1.000 EA
33EP2503A01	33 ENCL. EP MACH. 203 BRG IEC FF130	1.000 EA
51XN1032A20	10-32 X 1 1/4 HX WS SL SR	2.000 EA
33FN3000SP	EXTERNAL FAN, PLASTIC	1.000 EA
HW1003A08	WASHER, #8 EX TH LK, ZN (F/S)	1.000 EA
33FH4000A01SP	FAN COVER, STAMPED	1.000 EA
11XT1032A06	10-32 X 3/8 HX WSHR HD SLTD TYPE 23	3.000 EA
34CB4517	CB LID 4 MTG HOLES .22 DIA STAMPED, FOR	1.000 EA
34GS1031A01	GASKET, FLAT CONDUIT BOX LID (LEXIDE)	1.000 EA
51XW0832A07	8-32 X .44, TAPTITE II, HEX WSHR SLTD SE	4.000 EA
HW2504D08	KEY, 5 MM X .875	1.000 EA
ME4000	.375-.75" DIA.#SW-04 WOVEN SHAFT PROTECT	0.125 FT
HW4600A09	SEAL 0.656 X 1.124 X 0.250 DOUBLE SHIELD	1.000 EA
MJ5001A27	32220KN GRAY SEALER *MIN BUY 4 QTS=1GAL	0.001 QT
MG1000G27	MED CHARCOAL METALLIC GREY 400-0096	0.013 GA
85XU0407S04	4X1/4 U DRIVE PIN STAINLESS	2.000 EA

Parts List (continued)		
Part Number	Description	Quantity
HA3100A48	THRUBOLT 10-32 X 7.188	2.000 EA
MN416A01	TAG-INSTAL-MAINT no wire (1200/bx) 11/14	1.000 EA
NP1379L	ALUM IEC UL CSA CC	1.000 EA
34PA1002	PKG GRP, PRINT PK1001A01	1.000 EA

No performance data has been
assigned to this product.



CD0005A05



- NOTES:
1. INTERCHANGE ANY TWO LINE LEADS TO REVERSE ROTATION.
 2. OPTIONAL THERMOSTATS ARE PROVIDED WHEN SPECIFIED.
 3. ACTUAL NUMBER OF INTERNAL PARALLEL CIRCUITS MAY BE A MULTIPLE OF THOSE SHOWN ABOVE.
 4. LEAD COLORS ARE OPTIONAL. LEADS MUST ALWAYS BE NUMBERED AS SHOWN.
 5. =MAGNET WIRE COIL END WITH I.D. NUMBER.
 6. =MAGNET WIRE COIL END WITH I.D. SYMBOL.
 7. SEE CW PRINT FOR NEST TO NEST CROSSOVER CONNECTIONS.

CD0005A05

REV. DESC: ADD NEST NOTE			
REV. LTR: C	VERSION: 03	TDR: 000000445597	
CD0005A05	FILE: \CKA\00024\847	REVISED: 12:51:06 11/15/2007	
	MTL: -	BY: CKMICRO	

BALDOR • DODGE • RELIANCE

3PH, DV, 9 LEADS, CK