

# **BALDOR**® • *RELIANCE*

## **Product Information Packet**

# **OF33125T**

**125HP, 1140RPM, 3PH, 60HZ, 449T, OPEN, F**

Part Detail							
Revision:	M	Status:	PRD/A	Change #:		Proprietary:	No
Type:	AC	Prod. Type:	A44134M	Elec. Spec:	A44WG1212	CD Diagram:	416820-036
Enclosure:	DP	Mfg Plant:		Mech. Spec:		Layout:	604989-050
Frame:	449T	Mounting:	F2	Poles:	06	Created Date:	10-19-2010
Base:		Rotation:	R	Insulation:	H	Eff. Date:	11-19-2014
Leads:	3#1/0					Replaced By:	
Literature:		Elec. Diagram:					

Nameplate NP2531L							
CAT.NO.	OF33125T	SPEC NO.	P44G1795	FRAME	449T		
HP	125	PHASE	3	DESIGN	D	TYPE	P
RPM	1140	HZ	60	AMB	40	SF	1.15
VOLTS	460	DUTY	CONT	INSUL.CLASS	H		
AMPS	145	ENCL	DP	CODE	G		
DRIVE END BEARING	90BC03J30X	NEMA-NOM-EFFICIENCY		91			
OPP D.E. BEARING	90BC03J30X						
SER.NO.		MOTOR WEIGHT		2370			

Nameplate NP2496L	
MOBIL POLYREX EM	

Parts List		
Part Number	Description	Quantity
SA207137	SA P44G1795	1.000 EA
RA194404	RA P44G1795	1.000 EA
000613006PU	N/P (RELEASE QTY 10,000) UL CSA LABEL	1.000 EA
NP2531L	INDUSTRIAL MOTOR,SS, CSA-C US,	1.000 EA
000692000FF	N/P	1.000 EA
000692000VD	LABEL WARNING	1.000 EA
NP2496L	MOTOR LUBE NAMEPLATE	1.000 EA
004824015A	GREASE POLYREX EM	1.156 LB
032018006AK	HHCS 1/4-20X3/4L PLATED	4.000 EA
032018028EK	HHCS 5/8-11X3-1/2L PLTD	4.000 EA
032018036DK	HHCS 1/2-13X4-1/2 PLTD.	3.000 EA
034000012AB	WSHR 1/4 STD. PLATED	4.000 EA
034017012AB	LCKW 1/4 STD. PLATED	4.000 EA
034600001AA	BUSH 1/4TO1/8 BLACK	1.000 EA
035000001G	GREASE RELIEF FITTING, ALEMITE 317400	1.000 EA
089439051A	BRKT 440 089439051WCB	1.000 EA
089439051A	BRKT 440 089439051WCB	1.000 EA
405851012AB	SPACE	4.000 EA
405851012AB	SPACE	4.000 EA
418151014G	RETAIN RING	1.000 EA
702611001A	BAFFL 440 SUB PAINT	1.000 EA
410700004A	WSHR	1.000 EA
702611001A	BAFFL 440 SUB PAINT	1.000 EA
032018006AK	HHCS 1/4-20X3/4L PLATED	4.000 EA

<b>Parts List (continued)</b>		
<b>Part Number</b>	<b>Description</b>	<b>Quantity</b>
032018028EK	HHCS 5/8-11X3-1/2L PLTD	4.000 EA
032018036DK	HHCS 1/2-13X4-1/2 PLTD.	3.000 EA
034000012AB	WSHR 1/4 STD. PLATED	4.000 EA
034017012AB	LCKW 1/4 STD. PLATED	4.000 EA
034600001AA	BUSH 1/4TO1/8 BLACK	1.000 EA
035000001G	GREASE RELIEF FITTING, ALEMITE 317400	1.000 EA
032018008DK	HHCS 1/2-13X1 PLATED	4.000 EA
033512004LB	HHTTS 1/4-20X1/2 PLTD.	1.000 EA
033512006LB	HHTTS 1/4-20X3/4 PLTD.	8.000 EA
035000001A	ALFTG 1/8" 1610-BL	1.000 EA
035000001A	ALFTG 1/8" 1610-BL	1.000 EA
048897010DJ	BUSH - 445	1.000 EA
406056008A	GASKET, TERBD 440	1.000 EA
415000103D	T/LUG #4AWG-1/0AWG W/HOLE FOR .250 BOLT	1.000 EA
418150003A	GREASE FITTING CAP	1.000 EA
418150003A	GREASE FITTING CAP	1.000 EA
418153001A	GASK 440	1.000 EA
702658001B	+C/BOX, PAINTED 440	1.000 EA
702658002A	+C/BOX CVR, PAINTED 440	1.000 EA
MG1025G03	WILKOFASST, 789.901, OIL RIG SILVER	0.750 GA
033775004EA	DRSCR #6-1/4 304 S.S.	2.000 EA
034180054KA	KEY 7/8X7/8X6-3/4 L	1.000 EA
032510026D	CARRIAGE BOLT - 440	2.000 EA
033300014AC	HEX NUT, SHIPPING - 400	2.000 EA

Product Information Packet: OF33125T - 125HP, 1140RPM, 3PH, 60HZ, 449T, OPEN, F

034001014AB	FLAT WASHER 3/8"PLATED	2.000 EA
034001016AB	WSHR .562ID 1.375OD .109	2.000 EA
604797003C	SHIPPING BAG	1.000 EA
604797056	400-447 FRAME 60 X 42	1.000 EA
421948051	LABEL, MYLAR	1.000 EA
PK5005A01	WOOD BASE 449 60 X 41-1/2 BLT 25 X 18	1.000 EA

REL. S.O.	FRAME	HP	TYPE	PHASE/HERTZ	RPM	VOLTS
	449T	125	P	3/60	1140	460
AMPS	DUTY	AMB °C/ INSUL.	S.F.	NEMA DESIGN	CODE LETTER	ENCL.
145	CONT	40/H	1.15	D	G	TEFC
E/S	ROTOR	TEST S.O.	TEST DATE	STATOR RES. @25 °C (BETWEEN LINES)		
833222	418143069BA	---	---	.0340		

PERFORMANCE

LOAD	HP	AMPERES	RPM	POWER FACTOR %	EFFICIENCY %
NO LOAD	0	40.1	1200	7.08	0
1/4	31.3	53.2	1186	61.3	89.8
2/4	62.4	78.9	1172	80.2	92.4
3/4	93.8	110	1158	86.4	92.3
4/4	125	145	1142	88.3	91.3
5/4	156	182	1125	89.6	89.9

SPEED TORQUE

	RPM	TORQUE % FULL LOAD	TORQUE LB.-FT.	AMPERES
LOCKED ROTOR	0	276	1585	907
PULL UP	150	241	1386	846
BREAKDOWN	804	340	1955	685
FULL LOAD	1142	100	575	145

AMPERES SHOWN FOR 460. VOLT CONNECTION. IF OTHER VOLTAGE CONNECTIONS ARE AVAILABLE, THE AMPERES WILL VARY INVERSELY WITH THE RATED VOLTAGE

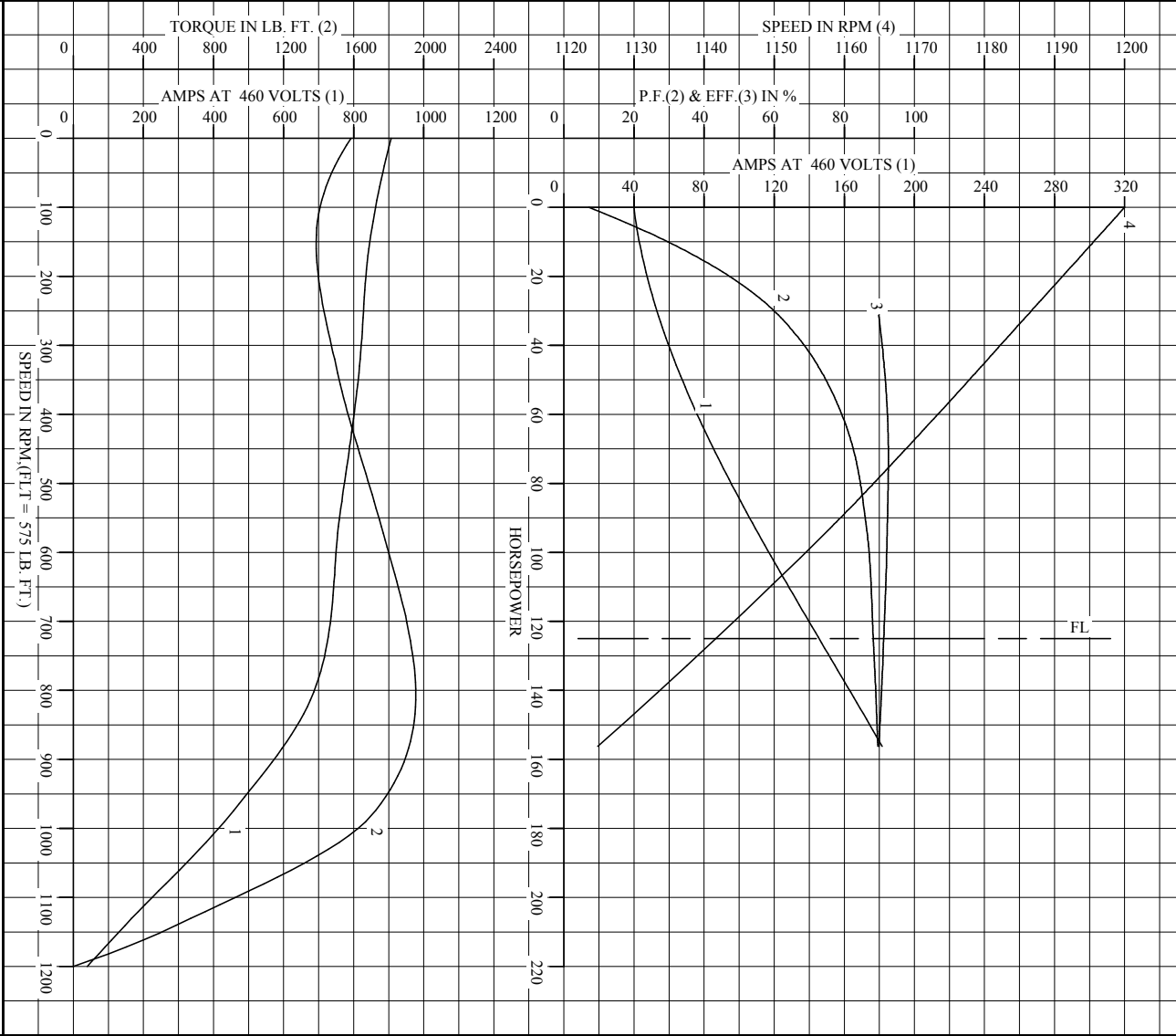
REMARKS : CALCULATED DATA



DR. BY W. L. SMITH  
 CK. BY C.E. JAMISON  
 APP. BY W. L. SMITH  
 DATE 01/20/14

A-C MOTOR PERFORMANCE DATA  
 A44WG1212-R002  
 ISSUE DATE 01/20/14

REL S.O.	449T	RPM	1140	S.F.	1.15	ROTOR	418143069BA
FRAME	125	VOLTS	460	NEMA DESIGN	D	TEST S.O.	CALCULATED DATA
HP	125	AMPS	145	CODE LETTER	G	TEST DATE	---
TYPE	P	DUTY	CONT	ENCLOSURE	TEFC	STATOR RES. @ 25 °C	0.340
PHASE/HERTZ	3/60	AMB °/INSUL	40/H	E/S	833222	OMEGAS (BETWEEN LINES)	



AMPS SHOWN FOR 460 VOLTS WILL VARY INVERSELY WITH THE RATED VOLTAGE.

VOLT CONNECTION, IF OTHER VOLTAGE CONNECTIONS ARE AVAILABLE, THE

<b>BALDOR</b>	DR. BY	W. L. SMITH
<b>A MEMBER OF THE ABB GROUP</b>	CHK. BY	C. EAMONSON
	APP. BY	W. L. SMITH
	DATE	01/20/14

**A-C MOTOR PERFORMANCE CURVES** A44WC1212-R002

ISSUE DATE 01/20/14

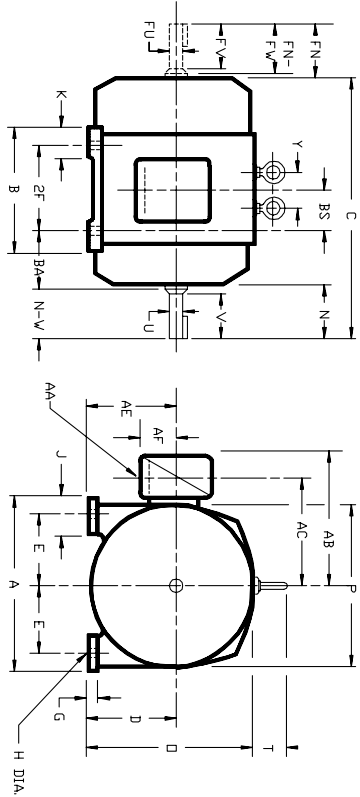
Printed on 1/20/14 13:32 @ rsgsun

604989-050

**DUTY MASTER ALTERNATING CURRENT MOTORS**

ENCLOSURE: PROTECTED & WEATHERPROTECTED I SQUIREL-CAGE INDUCTION  
TOTALLY ENCLOSED COOLING: SELF-VENTILATED  
NON-VENTILATED

MOUNTING: FOOT  
FRAMES 445T THRU 449TS ABOVE NEMA RATINGS



DIMENSIONS ARE IN INCHES

FRAME	A	D(2)	E	G	H	J	D	P	BA	K	T	Y (6)
445T	21.00	11.00	9.00	1.12	81	3.25	23.62	24.25	7.50	5.25	3.25	---
445TS	21.00	11.00	9.00	1.12	81	3.25	23.62	24.25	7.50	5.25	3.25	---
447T	21.00	11.00	9.00	1.12	81	3.25	24.25	24.25	7.50	3.25	4.25	5.00
447TS	21.00	11.00	9.00	1.12	81	3.25	24.25	24.25	7.50	3.25	4.25	5.00
449T	21.00	11.00	9.00	1.12	81	3.25	24.25	24.25	7.50	3.25	4.25	5.00
449TS	21.00	11.00	9.00	1.12	81	3.25	24.25	24.25	7.50	3.25	4.25	5.00

FRAME	C	BS	B	DRIVE END SHAFT AND KEY				OPPOSITE DRIVE END SHAFT AND KEY				SO. KEY	SO. KEY LGTH	V.T. (L3R)			
				N	N-1/2	U(3)	V	LN	FN	FN-FV	FU(3)				FV	LGTH	KEY
445T	39.56	8.25	19.00	16.50	8.94	8.50	3.375	8.25	6.88	8.75	6.31	5.88	2.375	5.62	4.25	6.25	14.0
445TS	39.81	8.25	19.00	16.50	5.19	4.75	2.375	4.50	3.00	6.25	5.19	4.75	2.375	4.50	3.00	6.25	14.0
447T	43.06	10.00	22.50	20.00	8.94	8.50	3.375	8.25	6.88	8.75	6.31	5.88	2.375	5.62	4.25	6.25	17.30
447TS	39.31	10.00	22.50	20.00	5.19	4.75	2.375	4.50	3.00	6.25	5.19	4.75	2.375	4.50	3.00	6.25	17.30
449T	48.06	12.50	27.50	25.00	8.94	8.50	3.375	8.25	6.88	8.75	6.31	5.88	2.375	5.62	4.25	6.25	21.00
449TS	44.31	12.50	27.50	25.00	5.19	4.75	2.375	4.50	3.00	6.25	5.19	4.75	2.375	4.50	3.00	6.25	21.00

FRAME	CONDUIT BOX		STANDARD	AF		
	AA	AE				
445T	4	12.00	11.00	22/75	17.50	7.00
445TS	4	12.00	11.00	22/75	17.50	7.00
447T	4	12.00	11.00	22/75	17.50	7.00
447TS	4	12.00	11.00	22/75	17.50	7.00
449T	4	12.00	11.00	22/75	17.50	7.00
449TS	4	12.00	11.00	22/75	17.50	7.00

- (1) SPECIAL DIMENSIONS ON THIS LINE
  - (2) \*DP VARIES +.00, -.06
  - (3) \*U & \*FV VARY +.00, -.01
  - (4) WEATHERPROOF CONDUIT BOX SUPPLIED ONLY WHEN SPECIFIED
  - (5) DIMENSIONS SHOWN ARE FOR PROTECTED MOTORS,  
FOR TENV MOTORS \*AB=23.37, \*AC=18.12
  - (6) 445 FRAME HAS ONE EYEBOLT C OF FRAME.
- CONDUIT BOX LOCATED ON OPPOSITE SIDE WHEN F-2, W-1, W-4, W-5, V-7, OR C-1 MOUNTING IS SPECIFIED. STANDARD DOUBLE SHAFT SUPPLIED ONLY WHEN SPECIFIED. IF MOUNTING CLEARANCE DETAILS ARE REQUIRED CONSULT FACTORY. MAXIMUM PERMISSIBLE SHAFT ROUNDOFF WHEN MEASURED AT END OF STANDARD SHAFT EXTENSION IS .003 T.I.R.

CUSTOMER IS RESPONSIBLE FOR DETERMINING THAT BALDOR'S PRODUCT WILL PERFORM SUITABLY IN THE INTENDED APPLICATION.

REV. DESC: LOADED TO BUS	VERSION: 01	TDR: 000000561165
REV. LTR: A	REVISED: 08:19:54 10/18/2010	BY: RAGRA
FILE: \RAG\00012\156		
MTL: -		

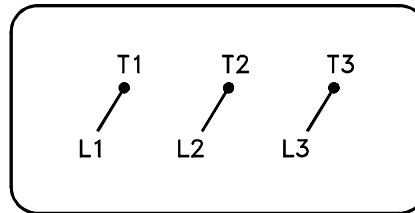
**BALDOR**  
DIM SHEET PROT/WEATHER TENV 445T-449TS ABOVE NEMA  
SH 1 of 1

FRAME: \_\_\_\_\_ TYPE: \_\_\_\_\_ CERTIFIED FOR: \_\_\_\_\_  
 ORDER: \_\_\_\_\_ ITEM: \_\_\_\_\_ HP: \_\_\_\_\_ RPM: \_\_\_\_\_ PH: \_\_\_\_\_ HZ: \_\_\_\_\_ VOLTS: \_\_\_\_\_  
 SALES ORDER: \_\_\_\_\_ APPROVED BY: \_\_\_\_\_ DATE: \_\_\_\_\_

050-686409

416820-036

A-C MOTOR  
 CONNECTION DIAGRAM  
 STANDARD 3 LEAD CONNECTED



(N.P. 1575-BA)

416820-036

REV. DESC: LOADED TO BUS, C/R 335225		
REV. LTR: -	VERSION: 00	TDR: 000000538207
FILE: \MGA\00000\682	REVISED: 11:54:06 04/30/2010	
MTL: -	BY: RAGRA	

**BALDOR**

CONN DIAG - STANDARD 3 LEAD

SH 1 of 1

Marketing maintained PDF of MN408:

<http://www.baldor.com/support/Literature/Load.ashx/MN408?ManNumber=MN408>

Marketing maintained PDF of MN416:

<http://www.baldor.com/support/Literature/Load.ashx/MN416?ManNumber=MN416>