

BALDOR® • ***RELIANCE***

Product Information Packet

UCC10150

10-15HP,3450RPM,1PH,60HZ,215Z,3740C,OPEN

Part Detail							
Revision:	AK	Status:	PRD/A	Change #:		Proprietary:	No
Type:	AC	Prod. Type:	3740C	Elec. Spec:	37WGW977	CD Diagram:	CD0127
Enclosure:	OPEN	Mfg Plant:		Mech. Spec:	37E764	Layout:	37LYE764
Frame:	215Z	Mounting:	F1	Poles:	02	Created Date:	
Base:	RG	Rotation:	R	Insulation:	F	Eff. Date:	06-30-2015
Leads:	2#8 A PH,2#14 B PH 32" LG Y					Replaced By:	
Literature:		Elec. Diagram:					

Nameplate NP1279L										
CAT.NO.	UCC10150									
SPEC.	37E764W977									
HP	10-15 AIR OVER									
VOLTS	230									
AMP	41-57									
RPM	3450									
FRAME	215Z			HZ	60		PH	1		
SER.F.	1.00		CODE	C		DES	-		CL	F
NEMA-NOM-EFF	83		PF	98						
RATING	40C AMB-CONT									
CC							USABLE AT 208V			
DE	6307			ODE	6206					
ENCL	OPEN		SN							

Nameplate NP1263L	
CAT.NO.	UCC10150
SPEC.	37E764W977
HP	10-15 AIR OVER
VOLTS	230
AMP	41-57
RPM	3450
FRAME	215Z
SER.F.	1.00
NEMA-NOM-EFF	83
RATING	40C AMB-CONT
CC	
DE	6307
ENCL	OPEN
CODE	C
PF	98
HZ	60
DES	-
CL	F
PH	1
ODE	6206
SN	
USABLE AT 208V	

Parts List		
Part Number	Description	Quantity
SA031064	SA 37E764W977	1.000 EA
RA027103	RA 37E764W977	1.000 EA
OC5000A	OIL CAP.ASSY FOR 37E764W977, 3 OIL CAP'S	1.000 EA
HW3200A01	3/8-16X3/4 I-BLT WELDED F/S	1.000 EA
HA6011A01	ADAPTOR, MACH	1.000 EA
36GS5001	GASKET CONDUIT ADAPTOR	1.000 EA
51XF2520A10	SCREW, HEX SER SLT HD, ZN, 1/4-20 X .62	2.000 EA
11XW1032G06	10-32 X .38, TAPTITE II, HEX WSHR SLTD U	1.000 EA
HW3001B01	BRASS CUP WASHER, FOR #8 SCREW	1.000 EA
37FE3200A05	FR ENDPLATE, FOR ROUTING PURPOSES	1.000 EA
HA1104A01	RODENT SCREEN 37 FRAME 206 BRG FRONT END	1.000 EA
51XW1032A06	10-32 X .38, TAPTITE II, HEX WSHR SLTD S	4.000 EA
HW1000A10	#10 FLAT WASHER (SAE)	2.000 EA
HW1000A10	#10 FLAT WASHER (SAE)	4.000 EA
HW4500A19	1/4-28X1/4 SLOTTED PLUG F/S	2.000 EA
HW5100A06	W2420-025 WVY WSHR (WB)	1.000 EA
37PE3201A03	PU ENDPLATE ASSEMBLY FOR ROUTING	1.000 EA
HA1104A05	RODENT SCREEN 37 FRAME 207 BRG PULLEY EN	1.000 EA
51XW1032A06	10-32 X .38, TAPTITE II, HEX WSHR SLTD S	2.000 EA
HW4500A19	1/4-28X1/4 SLOTTED PLUG F/S	2.000 EA
10XN2520A28	1/4-20X 1 3/4 HEX HD	4.000 EA
HW1001A25	LOCKWASHER 1/4, ZINC PLT .493 OD, .255 I	4.000 EA
XY3118A12	5/16-18 HEX NUT DIRECTIONAL SERRATION	4.000 EA
HW2501E26	KEY, 1/4 SQ X 3.000	1.000 EA

Parts List (continued)		
Part Number	Description	Quantity
HA7000A02	KEY RETAINER RING, 1 1/8 DIA, 1 3/8 DIA	1.000 EA
85XU0407S04	4X1/4 U DRIVE PIN STAINLESS	2.000 EA
MJ1000A02	GREASE, POLYREX EM EXXON (USe 4824-15A)	0.050 LB
MG1025C02	WILKOFASST SG, 787.105, TAN	0.028 GA
LB1115N	LABEL,LIFTING DEVICE (ON ROLLS)	1.000 EA
LD5000A34	LEAD ASSY, ML1400DF08 W/#10 RING 12"	1.000 EA
HA3104A17	5/16-18X13.250 T-BLT/OHIO	4.000 EA
MP1002A24	6" X 16" .65 MIL. CLEAR PLASTIC BAG	1.000 EA
LB1119N	WARNING LABEL	1.000 EA
LB1001	LABEL, GREASE-EXXON POLYREX EM	1.000 EA
LC0127	CONNECTION DIAGRAM	1.000 EA
NP1279L	ALUM FARM DUTY UL CSA CC	1.000 EA
NP1263L	AUX, GP, ALUM, CC, LASER ETCHED	1.000 EA
36PA1001	PKG GRP, PRINT PK1017A06	1.000 EA
MN416A01	TAG-INSTAL-MAINT no wire (1200/bx) 11/14	1.000 EA

Accessories		
Part Number	Description	Multiplier
37-1404	C FACE KIT	A8

AC Induction Motor Performance Data

Record # 11959 - Typical performance - not guaranteed values

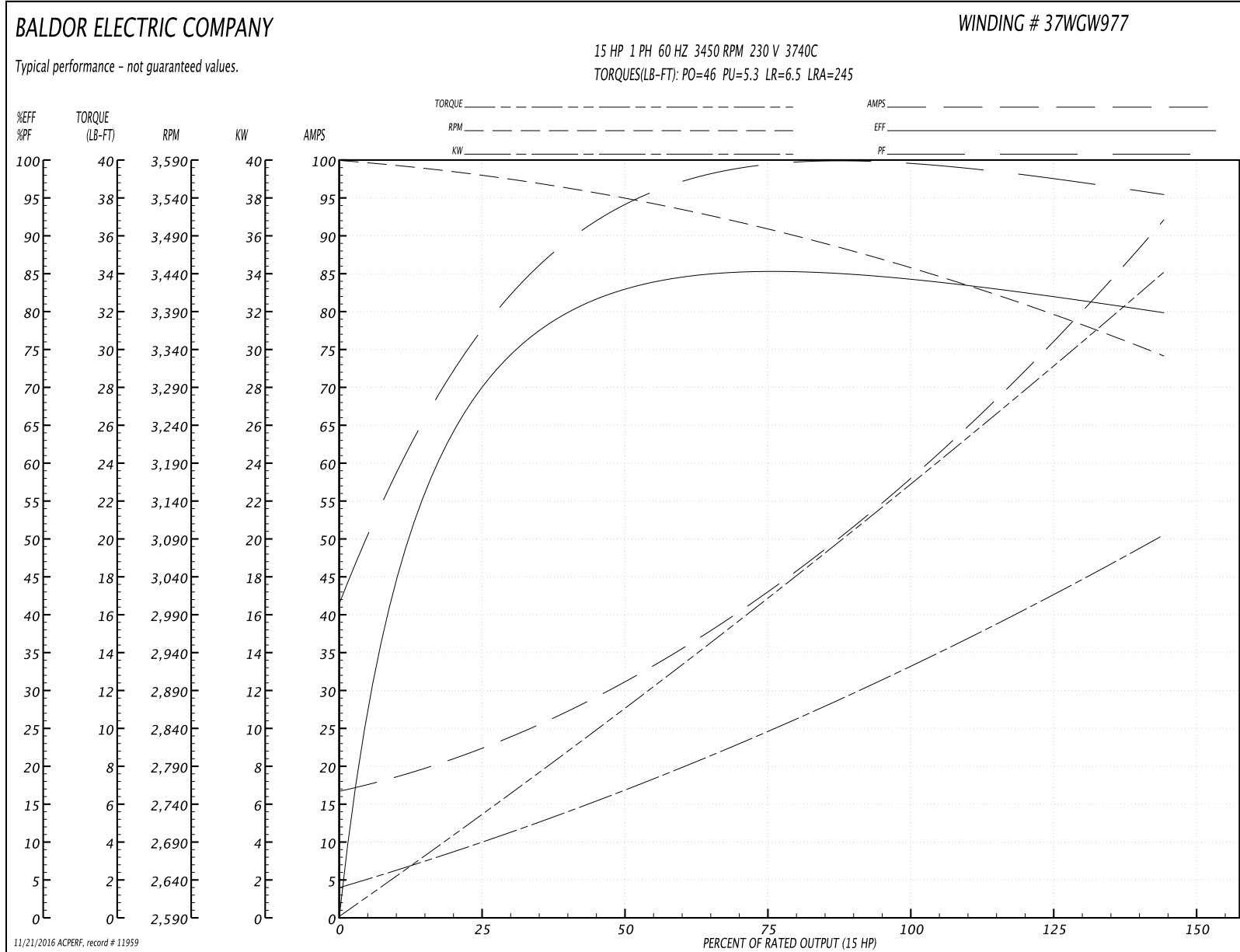
Winding: 37WGW977-R001	Type: 3740C	Enclosure: OPAO
-------------------------------	--------------------	------------------------

Nameplate Data				230 V, 60 Hz: Single Voltage Motor	
Rated Output (HP)	10-15 AIR OVER			Full Load Torque	22.8 LB-FT
Volts	230			Start Configuration	direct on line
Full Load Amps	41-57			Breakdown Torque	46 LB-FT
R.P.M.	3450			Pull-up Torque	5.3 LB-FT
Hz	60	Phase	1	Locked-rotor Torque	6.5 LB-FT
NEMA Design Code	-	KVA Code	C	Starting Current	245 A
Service Factor (S.F.)	1			No-load Current	16.3 A
NEMA Nom. Eff.	83	Power Factor	98	Line-line Res. @ 25°C	0.196 Ω A Ph 0.344 Ω B Ph
Rating - Duty	40C AMB-CONT			Temp. Rise @ Rated Load	

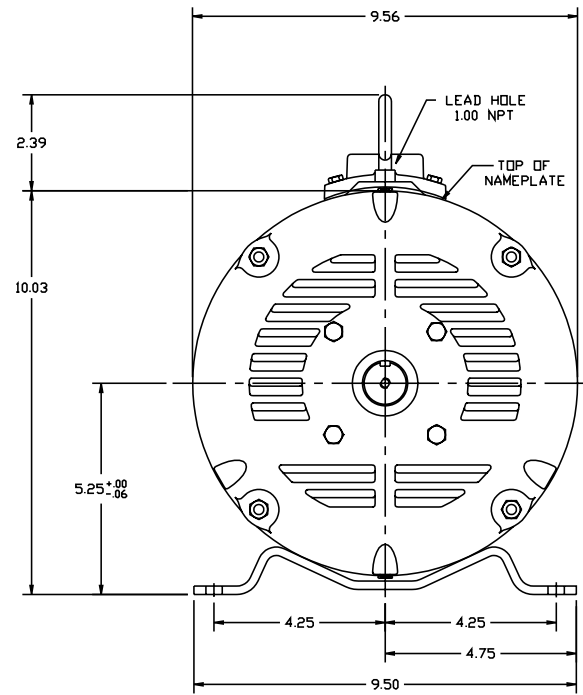
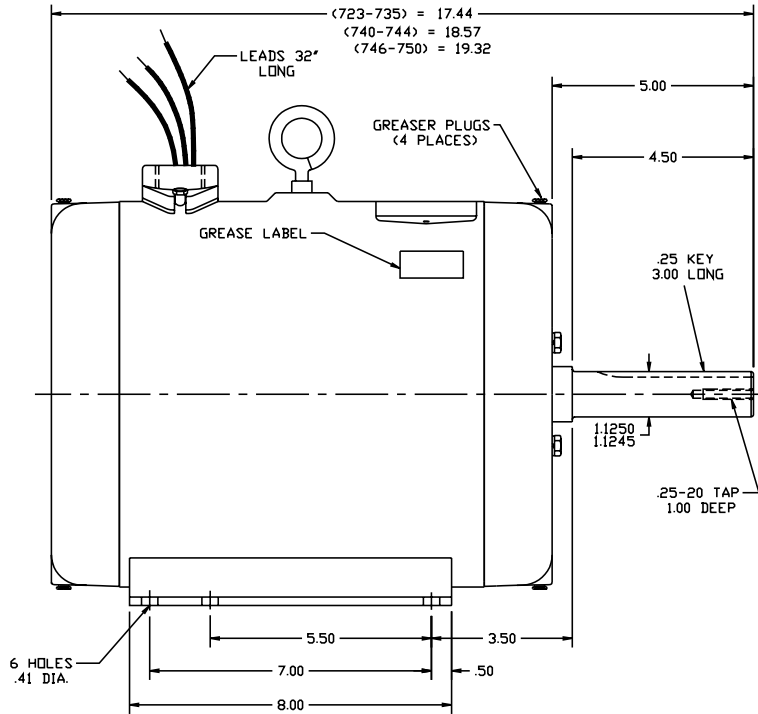
Load Characteristics 230 V, 60 Hz, 15 HP

% of Rated Load	25	50	75	100	125	150
Power Factor	78	92	98	99	99	99
Efficiency	68.7	81.5	85.1	85.2	83.2	79.1
Speed	3565	3533	3496	3453	3400	3324
Line amperes	22.7	32.4	43.9	57.4	73.1	93.2

Performance Graph at 230V, 60Hz, 15.0HP Typical performance - Not guaranteed values



37E764



UNIVERSAL CROP DRYER MOTOR

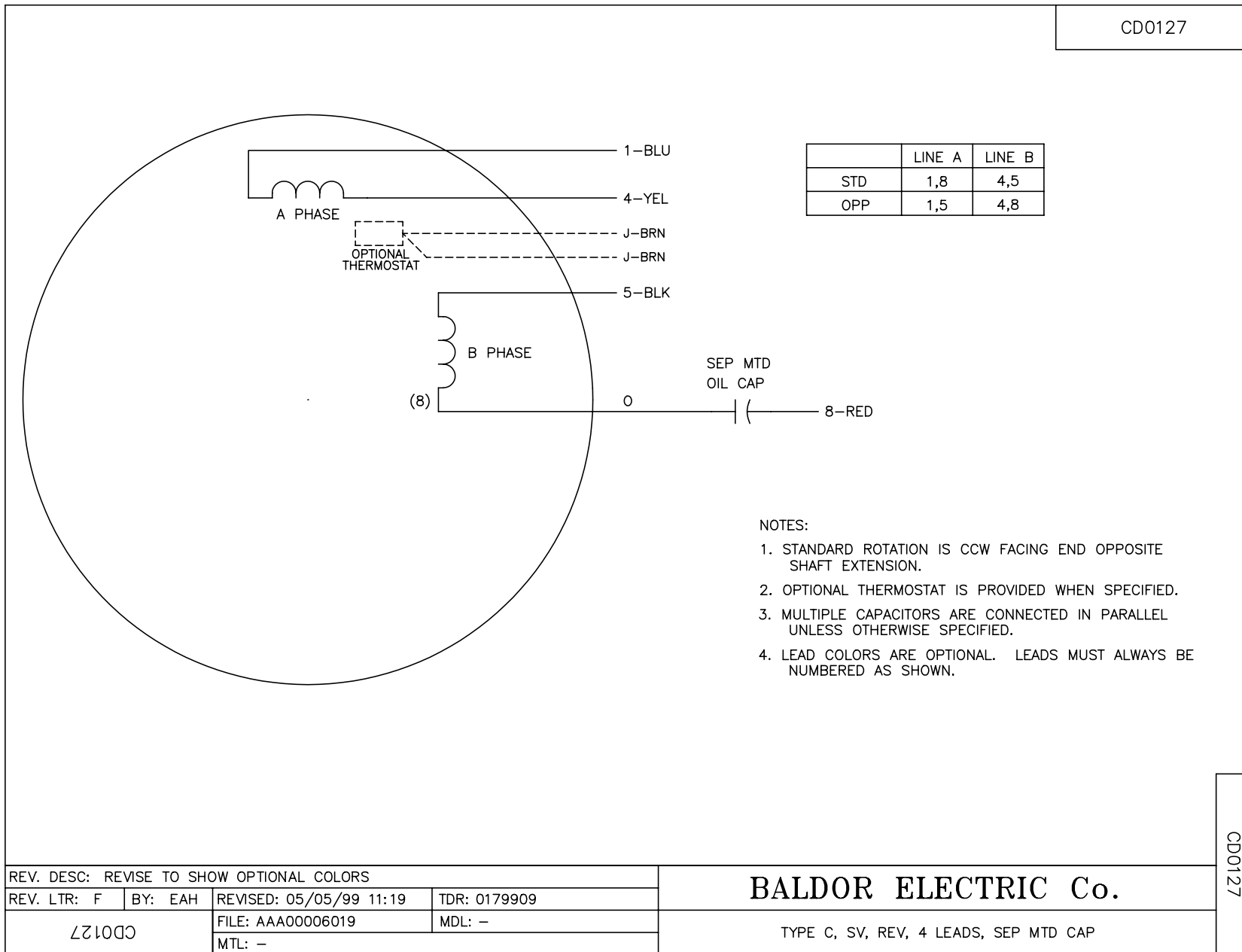
BALDOR ELECTRIC Co.

CUST. NAME	CUST. P.O.				REMARKS:	
MODEL	INSUL	AMB	H.P.	MTG	REV: K 37SB0442 WAS 37SB0251, HA6011A01 WAS HA6021A01.	
R.P.M.	VOLTS	ENCL	PHASE	FREQ	SCALE: .4	BY: BLP
FRAME	TYPE	CERTIFIED BY		FILE: AAA00010074	REVISED: 10/10/94	TDR: 0063266

SPL HORZ OPEN 37C 213-5Z W/PIPE ADAPTER & T-STATS

37E764

CD0127



REV. DESC: REVISE TO SHOW OPTIONAL COLORS			
REV. LTR: F	BY: EAH	REVISED: 05/05/99 11:19	TDR: 0179909
CD0127		FILE: AAA00006019	MDL: -
		MTL: -	

BALDOR ELECTRIC Co.

TYPE C, SV, REV, 4 LEADS, SEP MTD CAP

CD0127