

BALDOR® • ***RELIANCE***

Product Information Packet

VM3534

.33HP,1725RPM,3PH,60HZ,56C,3413M,TEFC,F1

| Part Detail | | | | | | | |
|-------------|------|----------------|-------|-------------|----------|---------------|------------|
| Revision: | W | Status: | PRD/A | Change #: | | Proprietary: | No |
| Type: | AC | Prod. Type: | 3413M | Elec. Spec: | 34WG0884 | CD Diagram: | CD0005 |
| Enclosure: | TEFC | Mfg Plant: | | Mech. Spec: | 34A063 | Layout: | 34LYA063 |
| Frame: | 56C | Mounting: | F1 | Poles: | 04 | Created Date: | |
| Base: | N | Rotation: | R | Insulation: | B | Eff. Date: | 03-04-2016 |
| Leads: | 9#18 | | | | | Replaced By: | |
| Literature: | | Elec. Diagram: | | | | | |

| Nameplate NP1256L | | | | | | | | | | |
|-------------------|--------------|--|--|------|-----|------|---|--|----------------|-----|
| CAT.NO. | VM3534 | | | | | | | | | |
| SPEC. | 34A63-884 | | | | | | | | | |
| HP | .33 | | | | | | | | | |
| VOLTS | 230/460 | | | | | | | | | |
| AMP | 1.6/.8 | | | | | | | | | |
| RPM | 1725 | | | | | | | | | |
| FRAME | 56C | | | | HZ | 60 | | | PH | 3 |
| SER.F. | 1.35 | | | CODE | M | DES | B | | CLASS | B |
| NEMA-NOM-EFF | 68 | | | PF | 57 | | | | | |
| RATING | 40C AMB-CONT | | | | | | | | | |
| CC | | | | | | | | | USABLE AT 208V | 1.9 |
| DE | 6203 | | | | ODE | 6203 | | | | |
| ENCL | TEFC | | | SN | | | | | | |
| | SFA 1.8/.9 | | | | | | | | | |

| Parts List | | |
|---------------|--|----------|
| Part Number | Description | Quantity |
| SA009892 | SA 34A63-884 | 1.000 EA |
| RA006337 | RA 34A63-884 | 1.000 EA |
| NS2512A01 | INSULATOR, CONDUIT BOX X | 1.000 EA |
| 34CB3002A | CB CAST W/.88 DIA HOLE | 1.000 EA |
| 34GS1029A01 | GASKET, CONDUIT BOX | 1.000 EA |
| 51XB1016A07 | 10-16 X 7/16 HXWSSLD SERTYB | 2.000 EA |
| 11XW1032G06 | 10-32 X .38, TAPTITE II, HEX WSHR SLTD U | 1.000 EA |
| 34EP3102A01SP | FR ENDPLATE, MACH | 1.000 EA |
| HW5100A03SP | WAVY WASHER (W1543-017) | 1.000 EA |
| 34EP3300A24SP | PU ENDPLATE, MACH | 1.000 EA |
| 51XN1032A20 | 10-32 X 1 1/4 HX WS SL SR | 2.000 EA |
| 34FN3002A01SP | EXTERNAL FAN, PLASTIC, .637/.639 HUB W/ | 1.000 EA |
| 51XW1032A06 | 10-32 X .38, TAPTITE II, HEX WSHR SLTD S | 3.000 EA |
| 34CB4517 | CB LID 4 MTG HOLES .22 DIA STAMPED, FOR | 1.000 EA |
| 34GS1031A01 | GASKET, FLAT CONDUIT BOX LID (LEXIDE) | 1.000 EA |
| 51XW0832A07 | 8-32 X .44, TAPTITE II, HEX WSHR SLTD SE | 4.000 EA |
| HW2501D13 | KEY, 3/16 SQ X 1.375 | 1.000 EA |
| 34FH4002A01SP | IEC FH NO GREASER PRIMED | 1.000 EA |
| HA7000A04 | KEY RETAINER 0.625 DIA SHAFTS | 1.000 EA |
| MG1000G27 | MED CHARCOAL METALLIC GREY 400-0096 | 0.014 GA |
| 10XF0440S02 | 04-40 X 1/8 TYPE F HEX HD STAINLESS STIC | 2.000 EA |
| HA3100A12 | THRUBOLT 10-32 X 7.375 | 4.000 EA |
| LC0005E01 | CONN.DIA./WARNING LABEL (LC0005/LB1119N) | 1.000 EA |
| NP1256L | ALUM UL CSA CC | 1.000 EA |

| Parts List (continued) | | |
|-------------------------------|---------------------------------|-----------------|
| Part Number | Description | Quantity |
| 34PA1002 | PKG GRP, PRINT PK1001A01 | 1.000 EA |
| PK3083T | STYROFOAM PACKING CRADLE W/TAPE | 1.000 EA |

AC Induction Motor Performance Data
Record # 6610 - Typical performance - not guaranteed values

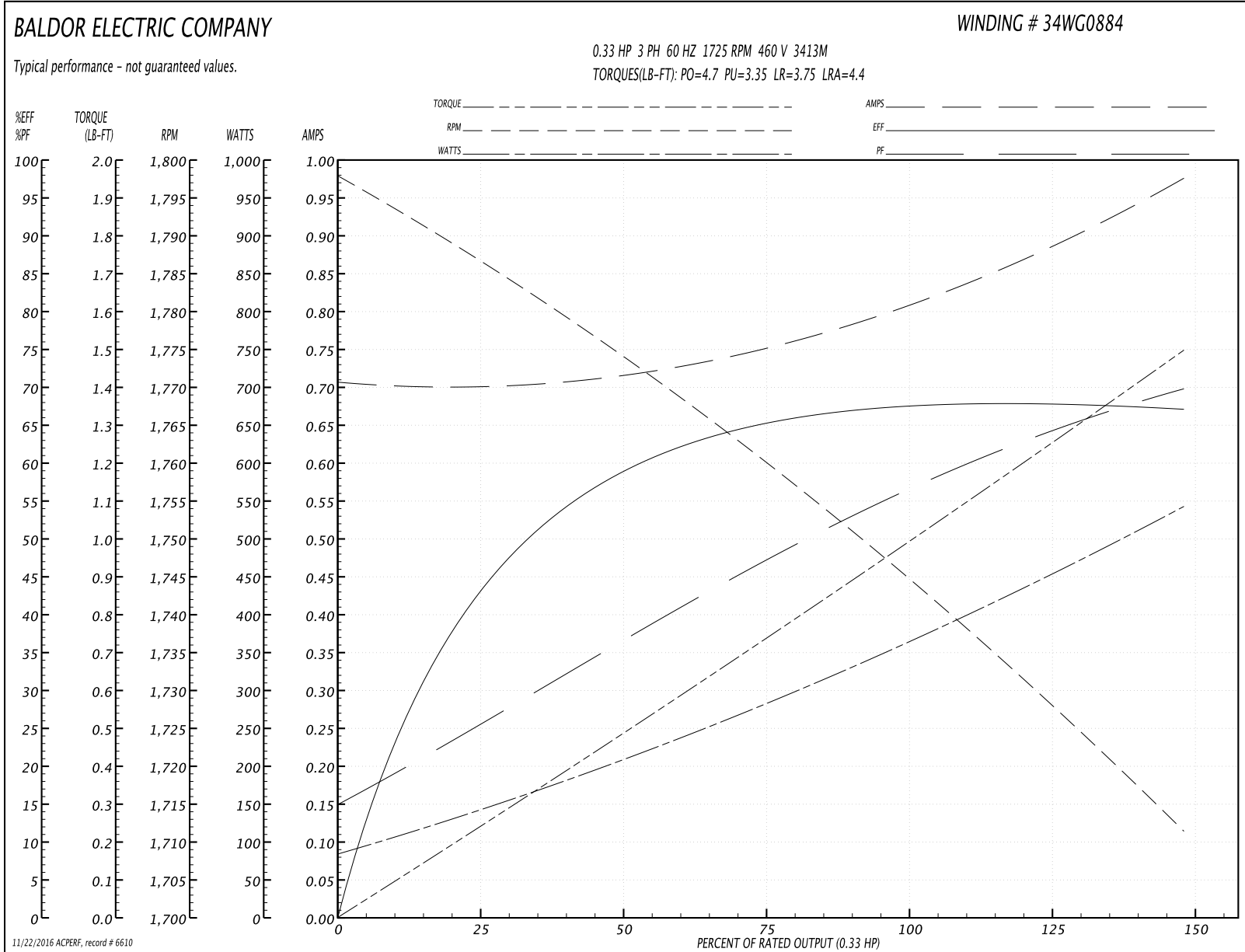
| | | |
|-------------------------------|--------------------|------------------------|
| Winding: 34WG0884-R001 | Type: 3413M | Enclosure: TEFC |
|-------------------------------|--------------------|------------------------|

| Nameplate Data | | | | 460 V, 60 Hz: High Voltage Connection | |
|-----------------------|--------------|--------------|----|--|----------------|
| Rated Output (HP) | .33 | | | Full Load Torque | 1 LB-FT |
| Volts | 230/460 | | | Start Configuration | direct on line |
| Full Load Amps | 1.6/.8 | | | Breakdown Torque | 4.7 LB-FT |
| R.P.M. | 1725 | | | Pull-up Torque | 3.35 LB-FT |
| Hz | 60 | Phase | 3 | Locked-rotor Torque | 3.75 LB-FT |
| NEMA Design Code | B | KVA Code | M | Starting Current | 4.4 A |
| Service Factor (S.F.) | 1.35 | | | No-load Current | 0.7 A |
| NEMA Nom. Eff. | 68 | Power Factor | 57 | Line-line Res. @ 25°C | 49.1 Ω |
| Rating - Duty | 40C AMB-CONT | | | Temp. Rise @ Rated Load | 47°C |
| S.F. Amps | 1.8/.9 | | | Temp. Rise @ S.F. Load | 61°C |

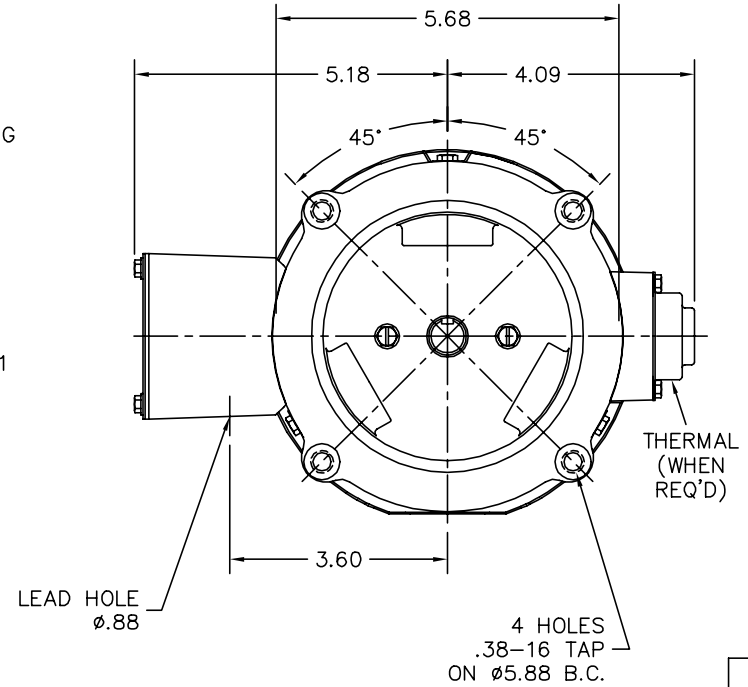
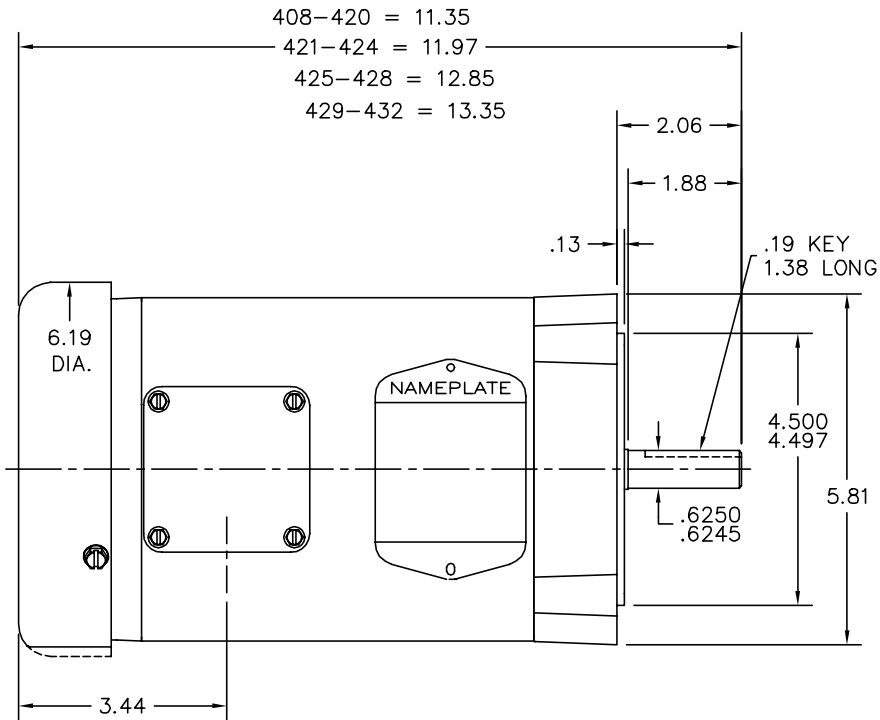
Load Characteristics 460 V, 60 Hz, 0.33 HP

| % of Rated Load | 25 | 50 | 75 | 100 | 125 | 150 | S.F. |
|-----------------|------|------|------|------|------|------|------|
| Power Factor | 28 | 40 | 50 | 57 | 64 | 69 | 66 |
| Efficiency | 44 | 59 | 65 | 68 | 68 | 67 | 68 |
| Speed | 1788 | 1770 | 1760 | 1745 | 1730 | 1710 | 1725 |
| Line amperes | 0.7 | 0.73 | 0.77 | 0.8 | 0.85 | 1 | 0.9 |

Performance Graph at 460V, 60Hz, 0.33HP Typical performance - Not guaranteed values



34LYA063



CUSTOMER IS RESPONSIBLE FOR DETERMINING THAT BALDOR'S PRODUCT WILL PERFORM SUITABLY IN THE INTENDED APPLICATION.

| | | |
|-------------------------|------------------------------|-------------------|
| REV. DESC: UPDATE PARTS | | |
| REV. LTR: L | VERSION: 02 | TDR: 000000998268 |
| FILE: \AAA\00000\724 | REVISED: 02:36:11 09/27/2016 | BY: ENBENBO |
| MTL: - | ☉ □ | |

BALDOR

STD VERT 34M NEMA 56C TEFC

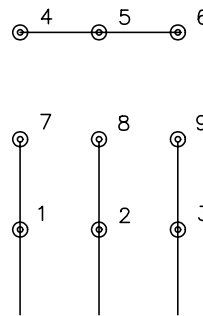
SH 1 of 1

34LYA063

CD0005



LOW VOLTAGE
(2Y)



LINE

HIGH VOLTAGE
(1Y)



LINE

NOTES:

1. INTERCHANGE ANY TWO LINE LEADS TO REVERSE ROTATION.
2. OPTIONAL THERMOSTATS ARE PROVIDED WHEN SPECIFIED.
3. ACTUAL NUMBER OF INTERNAL PARALLEL CIRCUITS MAY BE A MULTIPLE OF THOSE SHOWN ABOVE.
4. LEAD COLORS ARE OPTIONAL. LEADS MUST ALWAYS BE NUMBERED AS SHOWN.

| | | | |
|---|---------|-------------------------|--------------|
| REV. DESC: REVISE TO SHOW OPTIONAL COLORS | | | |
| REV. LTR: E | BY: JLP | REVISED: 01/19/99 10:15 | TDR: 0171435 |
| 900000 | | FILE: AAA00005140 | MDL: - |
| | | MTL: - | |

BALDOR ELECTRIC Co.

3PH, DV, 9 LEADS

CD0005