

### Self-Priming Universal/Electric Driven

## Specifications:

SUCTION/DISCHARGE .....3" x 3" NPT, Female  
LIQUID TEMPERATURE .....160°F (71°C) Continuous  
INTERMEDIATE .....Cast Iron ASTM A-48, Class 30  
VOLUTE .....Cast Iron ASTM A-48, Class 30,  
Removable  
BODY .....Cast Iron ASTM A-48, Class 30  
PEDESTAL .....Cast Iron ASTM A-48, Class 30  
IMPELLER: *Design* .....Semi-Open, Dynamically Balanced,  
ISO G6.3  
*Material* .....Cast Iron ASTM A-48, Class 30  
SHAFT .....Stainless Steel  
SQUARE RINGS .....Buna-N  
HARDWARE .....Series Stainless Steel  
PAINT .....Air Dry Enamel.  
SEAL: *Design* .....Mechanical  
*Lubrication* .....Self-Lubricating  
*Material* .....Rotating Faces - Carbon  
Stationary Faces - Ceramic  
Elastomer - Buna-N  
Hardware -300 Series Stainless

#### BEARING - PUMP END:

*Design*.....Single Row, Ball  
*Lubrication* .....Grease  
*Load*.....Radial

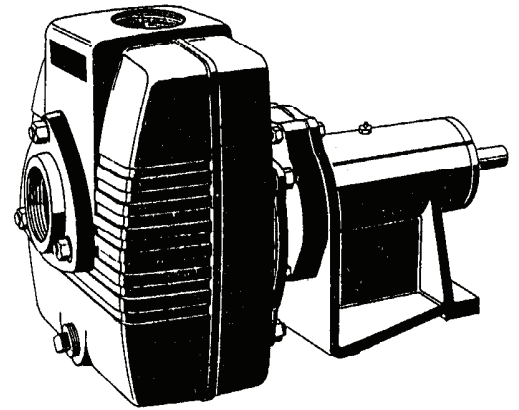
#### BEARING - DRIVE END:

*Design*.....Single Row, Ball  
*Lubrication* .....Grease  
*Load*.....Radial

#### CHECK VALVE:

*Material* .....Valve Flap-Neoprene  
Weight-Cast Iron ASTM A-48, Class 30

OPTIONAL EQUIPMENT.....Seal Material, Flex Coupled Assy. with  
Base & OSHA Guard; Right Hand V-Belt Drive Assy., Left Hand V-Belt Drive  
Assy., and In-Line Vertical V-Belt Drive Assy. with Base, Motor Adjusting  
Base and OSHA Guard.



**Series: 15ICU-1**  
MAX SPHERE 5/8"

#### DESCRIPTION:

SELF-PRIMING CENTRIFUGAL PUMPS  
DESIGNED FOR MARINE, MUNICIPAL AND  
INDUSTRIAL APPLICATIONS



**Questions? Call 1-800-810-1053**



**WARNING:**  
CANCER AND REPRODUCTIVE HARM -  
WWW.P65WARNINGS.CA.GOV

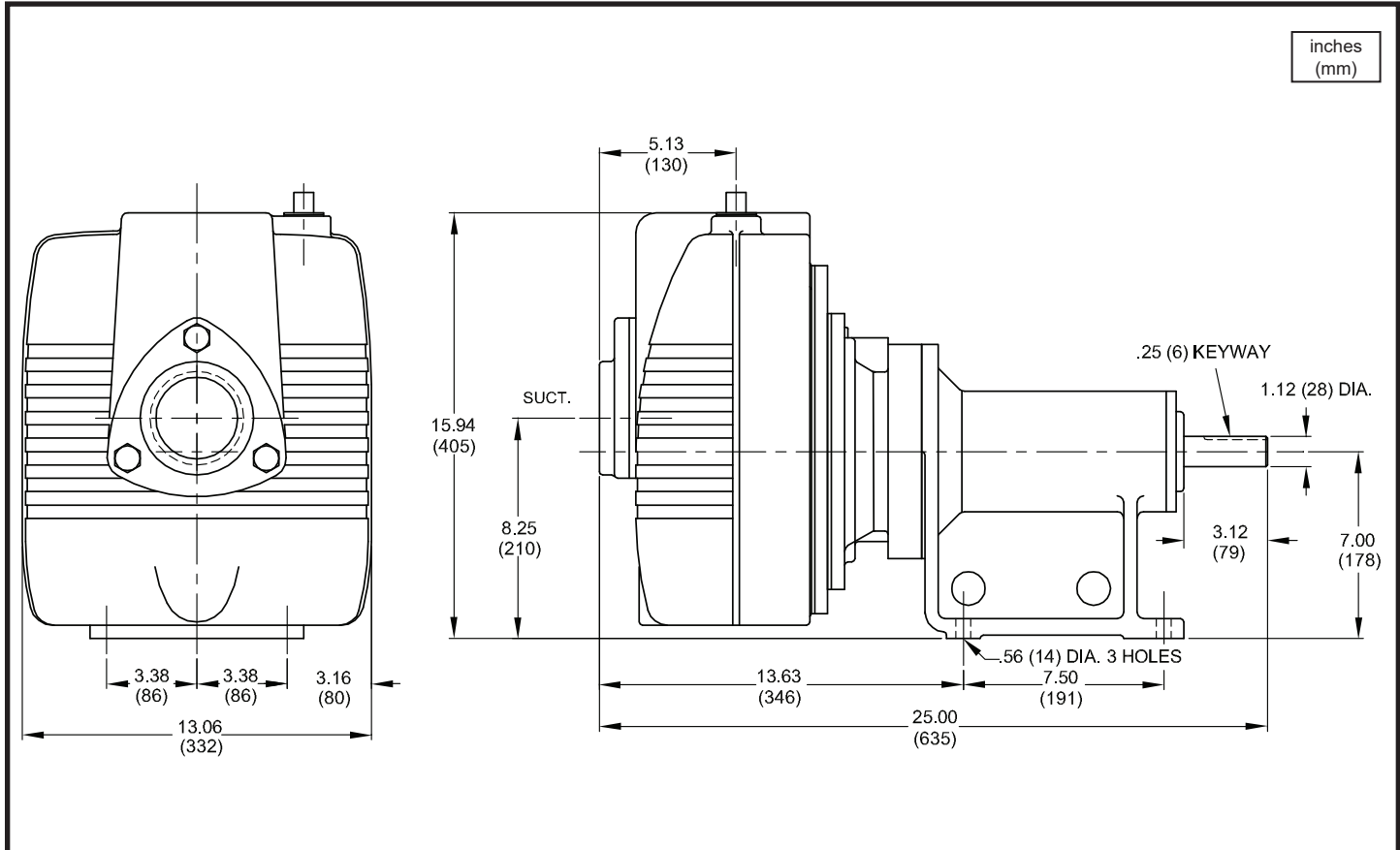
# Series 15ICU-1

Pump End  
3" NPT

# BARNES®

www.cranepumps.com

## Self-Priming Universal/Electric Driven



inches  
(mm)

MODEL NO	PART NO	WEIGHT NET LBS (kg)	
15ICU-1	052596	224 (102)	

### IMPORTANT !

- DO NOT USE FOR PUMPING FLUIDS WITH A FLASH POINT OF LESS THAN 100°F.
- MAKE CERTAIN THAT PUMP AND/OR MOTOR ASSEMBLY AND CONTROLS HAVE THE APPROPRIATE RATINGS FOR THE GIVEN APPLICATION AREA CLASSIFICATION. (ie DIVISION I, AGENCY LISTING ETC.)

SECTION 4E  
PAGE 26  
DATE 5/05

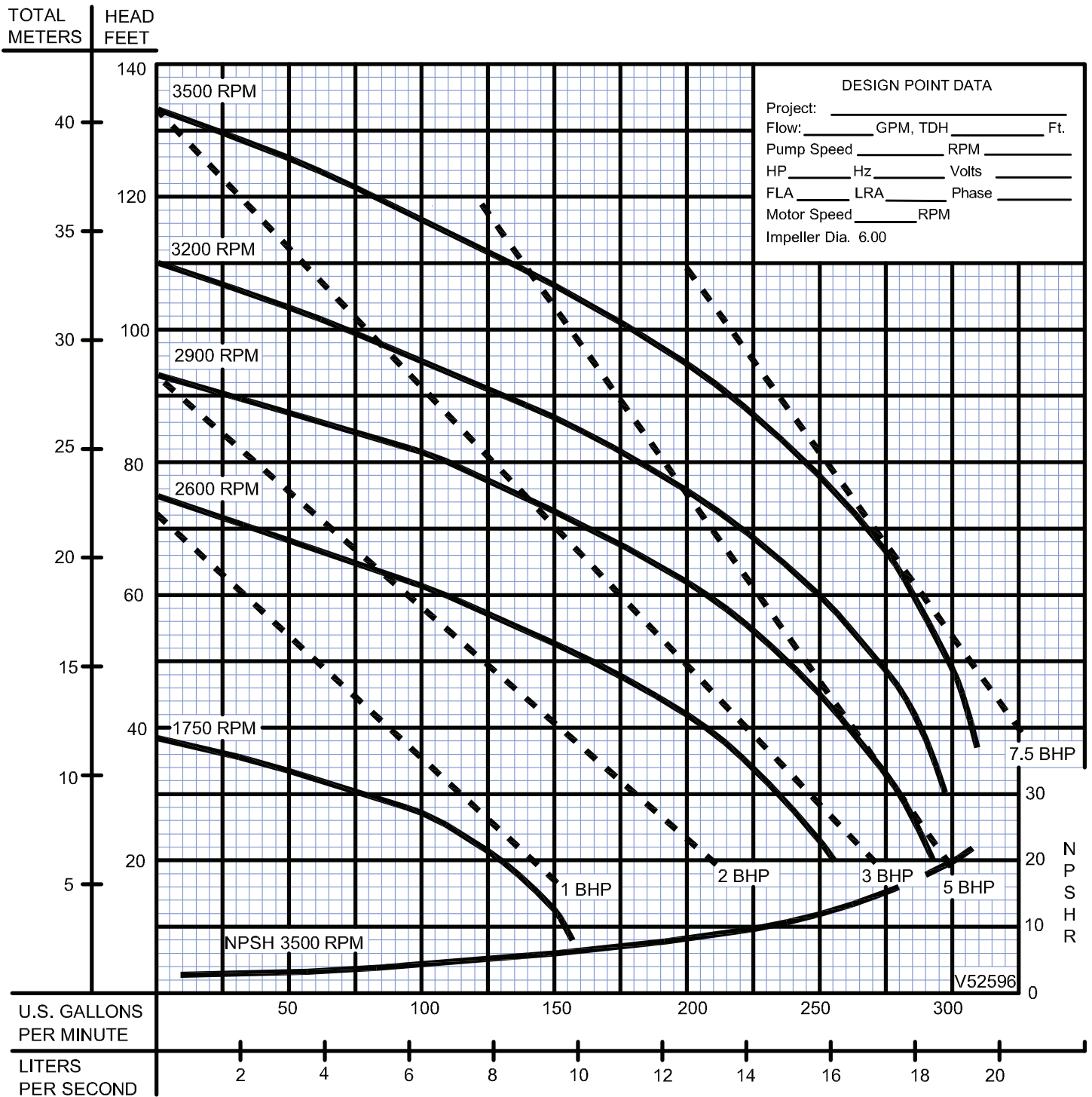
## CRANE®

A Crane Co. Company

## PUMPS & SYSTEMS

USA: (937) 778-8947 • Canada: (905) 457-6223 • International: (937) 615-3598

### Self-Priming Universal/Electric Driven



Testing is performed with water, specific gravity 1.0 @ 68° F @ (20°C), other fluids may vary performance

Order Online: [www.PumpCatalog.com](http://www.PumpCatalog.com)



A Crane Co. Company

PUMPS & SYSTEMS

USA: (937) 778-8947 • Canada: (905) 457-6223 • International: (937) 615-3598

SECTION 4E  
PAGE 27  
DATE 5/05