



BERKELEY[®] SSCX SERIES CENTRIFUGAL PUMPS

REMARKABLE RELIABILITY

High-head performance and quiet operation join corrosion-resistant dependability with Berkeley® SSCX Series centrifugal pumps.

In addition, the SSCX Series features:

Stainless-Steel Housing and Shaft – Maximum corrosion resistance in chemical as well as water applications; smooth flow path assures quiet operation.

High-Temperature Rating – The SSCX Series centrifugal pump (with 304 SS Impeller) is designed for temperatures to 250°F, making it an ideal choice for a wide range of pump applications and varying temperature conditions. The Noryl® impeller is rated to a maximum operating temperature of 185°F.

Mechanical Shaft Seals – Choice of seal options to meet your application needs. All are precision lapped and highly polished for long life and reliability.

Impeller Options – 304 Stainless Steel or precision-molded Noryl feature ultra-smooth flow ports to maximize performance and efficiency.

Drain/Vent Ports – Priming and draining is easier, faster.



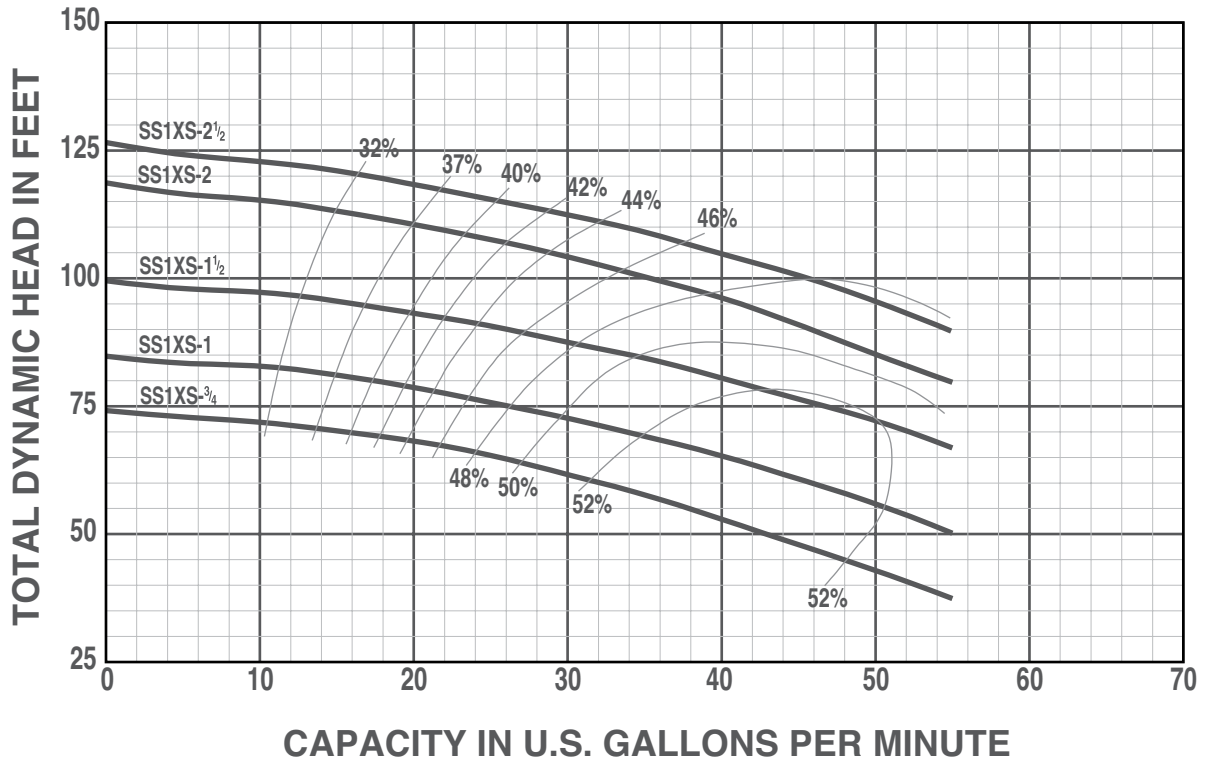
Typical Applications

- Water Circulation
- Booster Service
- Liquid Transfer
- Spray Systems
- Jockey Pumps
- OEM Applications

REMARKABLE PERFORMANCE & VERSATILITY

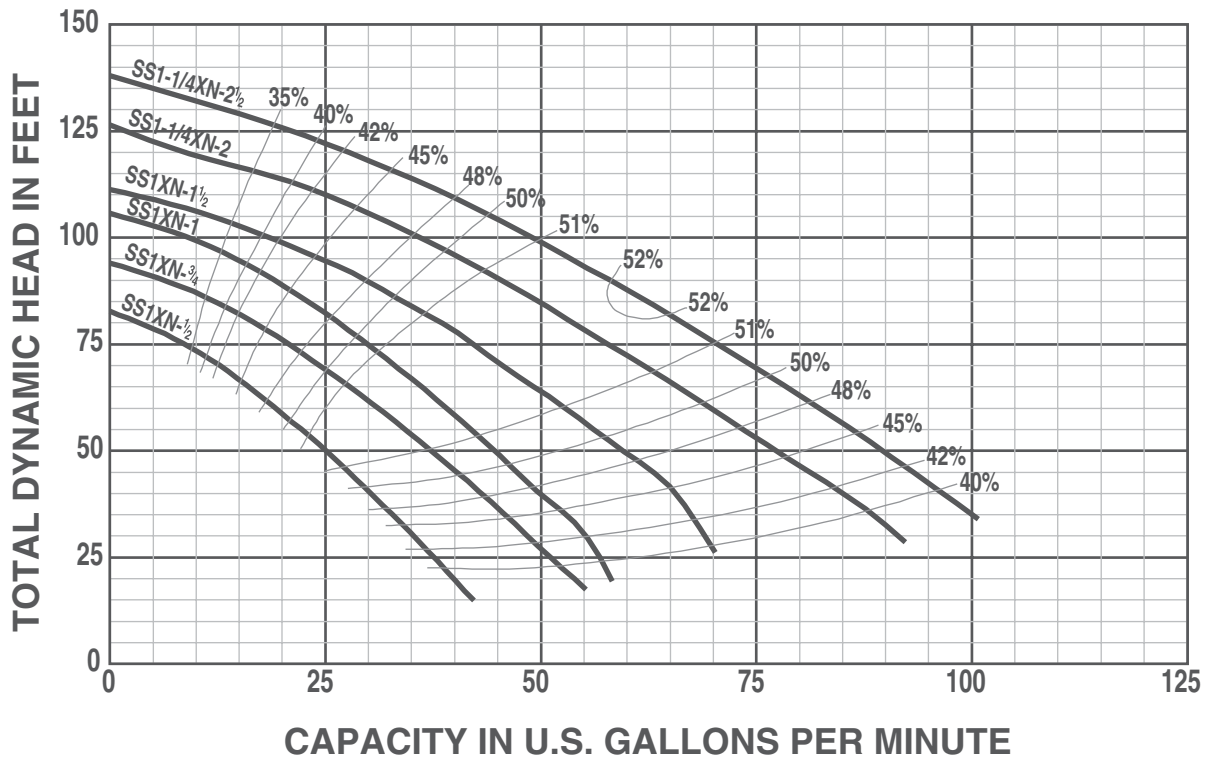
304 S.S. / 304 S.S. IMPELLER

SSCXS SERIES (SS IMPELLER)



304 S.S. / NORYL IMPELLER

SSCXN SERIES (NORYL® IMPELLER)



SS Impeller

Model Number	HP	Voltage/ Phase	Enclosure	Mech. Seal (std.)	Suction Size	Discharge Size	Impeller Diameter	Motor Amps. (max.)	Lbs/Kg
SS1XS-3/4	3/4	115/230-1	ODP	2*	1-1/4"	1"	4-1/4"	14.8/7.4	25/12
		208-230/460-3						3.6/1.8	23/11
		115/230-1	TEFC	4*				14.2/7.1	37/17
		208-230/460-3						3.6/6.8	32/15
SS1XS-1	1	115/230-1	ODP	2*	1-1/4"	1"	4-9/16"	19.2/9.6	27/13
		208-230/460-3						4.7/2.35	28/14
		115/230-1	TEFC	4*				18.0/9.0	40/18
		208-230/460-3						4.8/2.4	35/16
SS1XS-1-1/2	1-1/2	115/230-1	ODP	2*	1-1/4"	1"	5"	24.0/12.0	32/15
		208-230/460-3						6.8/3.4	28/14
		115/230-1	TEFC	4*				11.7	50/23
		208-230/460-3						6.0/3.0	37/17
SS1XS-2	2	115/230-1	ODP	2*	1-1/4"	1"	5-1/2"	26.0/13.0	36/16
		208-230/460-3						8.5/4.25	31/14
		230-1	TEFC	4*				11.7	52/24
		230/460-3						7.0/3.5	46/21
SS1XS-2-1/2	2-1/2	230-1	ODP	2*	1-1/4"	1"	5-3/4"	26.0/13.0	37/17
		208-230/460-3						8.5/4.25	33/15
		230-1	TEFC	4*				11.7	55/25
		230/460-3						7.0/3.5	46/21

Noryl® Impeller

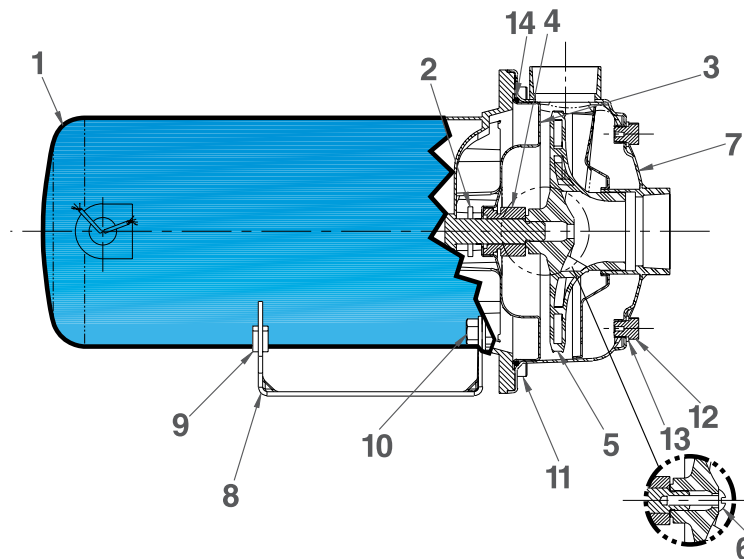
Model Number	HP	Voltage/ Phase	Enclosure	Mech. Seal (std.)	Suction Size	Discharge Size	Impeller Diameter	Motor Amps. (max.)	Lbs/Kg
SS1XN-1/2	1/2	115/230-1	ODP	1*	1-1/4"	1"	4-3/4"	8.8/4.4	22/10
		208-230/460-3						2.3/1.15	26/12
		115/230-1	TEFC	1*				8.2/4.1	32/15
		208-230/460-3						2.2/1.1	29/13
SS1XN-3/4	3/4	115/230-1	ODP	1*	1-1/4"	1"	5"	12.4/6.2	25/12
		208-230/460-3						3.1/1.55	27/13
		115/230-1	TEFC	1*				11.6/5.8	37/17
		208-230/460-3						2.9/1.45	32/15
SS1XN-1	1	115/230-1	ODP	1*	1-1/4"	1"	5-1/4"	14.8/7.4	27/13
		208-230/460-3						3.6/1.8	28/13
		115/230-1	TEFC	1*				14.2/7.1	40/18
		208-230/460-3						3.6/1.8	35/16
SS1XN-1-1/2	1-1/2	115/230-1	ODP	1*	1-1/4"	1"	5-5/16"	19.2/9.6	32/15
		208-230/460-3						4.7/2.35	28/13
		115/230-1	TEFC	1*				18.0/9.0	50/23
		208-230/460-3						4.8/2.4	37/17
SS1-1/4XN-2	2	115/230-1	ODP	1*	1-1/2"	1-1/4"	5-7/8"	24.0/12.0	36/16
		208-230/460-3						6.8/3.4	31/14
		230-1	TEFC	1*				10.4	52/24
		230/460-3						6.0/3.0	46/21
SS1-1/4XN-2-1/2	2-1/2	230-1	ODP	1*	1-1/2"	1-1/4"	6-1/8"	24.0/12.0	37/17
		230/460-3						8.5/4.25	33/15
		230-1	TEFC	1*				11.7	55/25
		230/460-3						7.3/3.65	46/21

304 S.S. / 304 S.S. IMPELLER DURABLE LONGLIFE CONSTRUCTION

Materials of Construction

Item No.	Description	Material
1	Motor	
2	Water Slinger	Neoprene
3	Seal Plate	AISI 304 S.S.
5	Impeller	AISI 304 S.S.
6	Impeller Locking Screw	18-8 S.S. (3 Phase Only)
7	Casing	AISI 304 S.S.
8	Base	Powder Painted Steel
9	Isolator	Natural Rubber
10	Socket Head Capscrew	AISI 304 S.S.
11	Socket Head Capscrew	18-8 S.S.
12	Vent/Drain Plug (Top & Bottom)	AISI 304 S.S.
13	Gasket (Top & Bottom)	Teflon®
14	O-Ring	Viton

4	Mechanical Seal					
Seal Option	Crane Type	Rotary	Stationary	Elastomer	Metal Parts	
2	2100	Carbon	Ceramic	Viton	18-8 S.S.	
3	2100	Carbon	Silicon-Carbide	Viton	18-8 S.S.	
4	2100	Silicon-Carbide	Silicon-Carbide	Viton	18-8 S.S.	



Materials of Construction

Item No.	Description	Material
1	Motor	
2	Water Slinger	Neoprene
3	Seal Plate	AISI 304 S.S.
5	Impeller	Noryl®/AISI 316 S.S.
6	Impeller Locking Screw	18-8 S.S. (3 Phase Only)
7	Casing	AISI 304 S.S.
8	Base	Powder Painted Steel
9	Isolator	Natural Rubber
10	Socket Head Capscrew	AISI 304 S.S.
11	Socket Head Capscrew	18-8 S.S.
12	Vent/Drain Plug (Top & Bottom)	AISI 304 S.S.
13	Gasket (Top & Bottom)	Teflon
14	O-Ring	Buna-N

4	Mechanical Seal					
Seal Option	Crane Type	Rotary	Stationary	Elastomer	Metal Parts	
1	6	Carbon	Ceramic	Buna-N	18-8 S.S.	
2	2100	Carbon	Ceramic	Viton	18-8 S.S.	
3	2100	Carbon	Silicon-Carbide	Viton	18-8 S.S.	
4	2100	Silicon-Carbide	Silicon-Carbide	Viton	18-8 S.S.	

SSCX SERIES CENTRIFUGAL PUMPS

CHEMICAL COMPATIBILITY

Chemical Name	Concentration	Temperature Degree F°	Noryl®	304 SS	Buna	Viton
Acetic Acid	10%	78	A	A	B	A
	10%	185	A	A	B	B
	90%	78	A	A	D	B
	90%	185	A	A	D	D
Ammonia		78	A	A	D	A
Ammonium Hydroxide	10%	78	A	A	A	A
	10%	185	A	A	A	A
Ammonium Phosphate	Sat.	78	A	A	A	A
	Sat.	185	A	A	A	A
Antifreeze		78	A	A	A	A
		185	A	A	A	A
Cascade	10%	78	A	A	A	A
	10%	185	A	A	A	A
Chlorox		78	A	A	B	A
		185	A	A	B	A
Corn Oil		78	A	A	A	A
		185	A	A	A	A
Ethylene Glycol		78	A	A	A	A
Isopropyl Alcohol		78	A	A	D	A
		185	B	A	D	A
Kerosene		78	A	A	D	A
		185	A	A	D	A
Lestoil	2%	78	A	A		
Linseed Oil		78	A	A	A	A
Methyl Alcohol		78	A	A	B	D
White Mineral Oil		78	B	A	A	A
		185	B	A	A	A
Nitric Acid		78	A	A	D	A
		185	A	A	D	A
Oleic Acid		78	A	A	D	B
Phosphoric Acid	60%	78	A	A	D	A
	Sat.	185	A	A	A	A
Potassium Bicarbonate	Sat.	78	A	A	A	A
	Sat.	185	A	A	A	A
Potassium Hydroxide	50%	78	A	A	B	B
	50%	185	A	A	B	B
Silicon		78	A	A	A	A
		185	A	A	A	A
Sodium Bicarbonate	Sat.	78	A	A	A	A
	Sat.	185	A		A	A
Sodium Chloride	Sat.	78	A	A	A	A
	Sat.1	85	A	B	A	A
Sodium Hydroxide	10%	78	A	A	B	A
	50%	78	A	B	D	A
	98%	78	A	A	D	A
Transmission Fluid		78	A	A	A	A
		185	A	A	A	A
Water		78	A	A	A	A
		185	A	A	B	A
		212	B	A	B	B

A-No Effect - Excellent B-Minor Effect - Good C-Moderate to Severe Effect D-Not Recommended

The Berkeley® difference – Everything we do shows up in the way Berkeley pump users look at us: with confidence. It's a confidence that goes from ordering to delivery to installation, on through years of trouble-free performance. It's a confidence that allows our customers to cure common pump worries and troubles with one simple phrase: Relax, it's a Berkeley.™



BEC2: a Berkeley advantage – Berkeley's Electronic Catalog puts powerful pump specification, application and installation software right at our customer's fingertips 24 hours a day, every day. For more information about BEC2, the SSCX or any other Berkeley product, contact your Berkeley distributor or a Berkeley service representative at: 1-888-BERKELEY.

BEC2 ELECTRONIC CATALOG

Powerful pump selection and application software. Visit www.berkeleypumps.com and click the BEC2 icon to get started.

The Chemical Compatibility Chart is not intended to be a complete list. For more information on additional chemical compatibilities, consult with an authorized Berkeley Customer Service Representative.

For more information, call our toll-free number or visit our website at www.berkeleypumps.com



293 WRIGHT STREET, DELAVAN, WI 53115 WWW.BERKELEYPUMPS.COM
PH: 888-237-5353 ORDERS FAX: 800-321-8793

Noryl® is a registered trademark of GE. Teflon® is a registered trademark of E. I. duPont de Nemours and Co. All other brand or product names are trademarks or registered trademarks of Pentair Ltd.

Because we are continuously improving our products and services, Pentair reserves the right to change specifications without prior notice.