

**TYPE "C" SINGLE STAGE
CENTRIFUGAL PUMP
Electric Motor Drive**

Section	CC/C
Page	10.1
Date	January 1, 2004
Supersedes 8/1/96	

CAST IRON IMPELLER

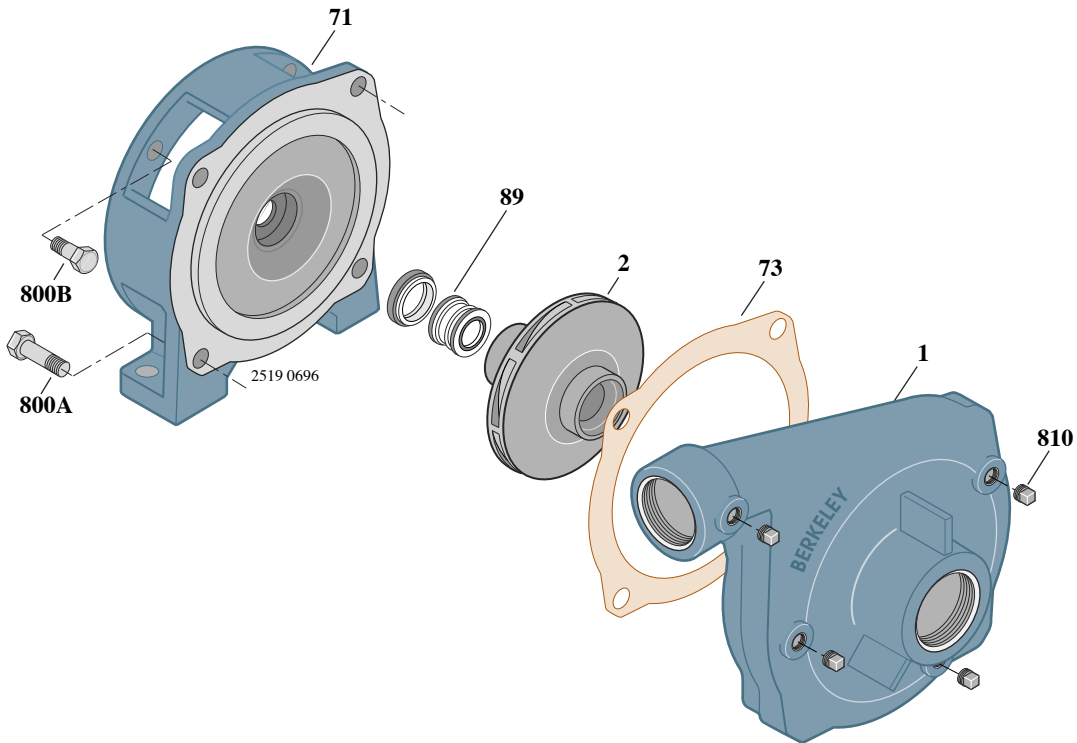
C1-1/4TPMS

Threaded Case (NPT)

Mechanical Seal Construction

TABLE I

B/M No.	HP	Phase	RPM	Impeller	Impeller Diameter
B53602	3	1	3600	M06919	5.47"
B53602S	3	1	3600	M11205	5.94"
B53603	3	3	3600	M06919	5.47"
B53603S	3	3	3600	M11205	5.94"



Item No.	Part Description	Part Number
1	Case, Volute	M03011
2	Impeller	See Table I
71	Bracket	L02866
73	Gasket, Case	S07445
89	Seal, Mechanical Shaft	S08019
800A	Capscrew, 5/16 - 18 x 7/8" (4 Req.)	S26783
800B	Capscrew, 3/8 - 16 x 7/8" (4 Req.)	S26825
810	Plug, Pipe 1/8 NPT (4 Req.)	S23714

TYPE "C" SINGLE STAGE CENTRIFUGAL PUMP Electric Motor Drive

Section	CC/C
Page	20.1
Date	January 1, 2004
Supersedes 8/1/96	

CAST IRON IMPELLER

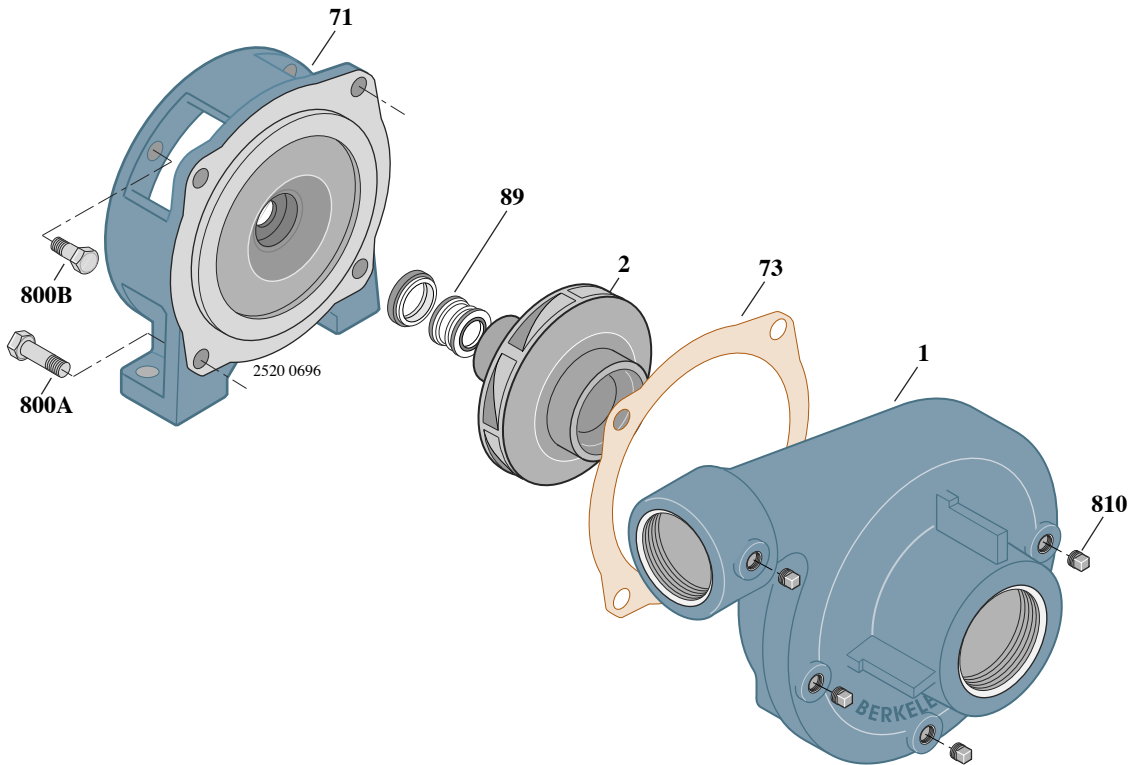
C1-1/2TPHS

Threaded Case (NPT)

Mechanical Seal Construction

TABLE I

B/M No.	HP	Phase	RPM	Impeller	Impeller Diameter
B59212	3	1	3600	M07636	4.88"
B59212S	3	1	3600	M11209	4.88"
B59213	3	3	3600	M07636	4.88"
B59213S	3	3	3600	M11209	4.88"



Item No.	Part Description	Part Number
1	Case, Volute	L01848
2	Impeller	See Table I
71	Bracket	L02866
73	Gasket, Case	S07445
89	Seal, Mechanical Shaft	S08019
800A	Capscrew, 5/16 - 18 x 7/8" (4 Req.)	S26783
800B	Capscrew, 3/8 - 16 x 7/8" (4 Req.)	S26825
810	Plug, Pipe 1/8 NPT (4 Req.)	S23714

TYPE "C" SINGLE STAGE CENTRIFUGAL PUMP Electric Motor Drive

Section	CC/C
Page	30.1
Date	January 1, 2004
Supersedes 8/1/96	

CAST IRON IMPELLER

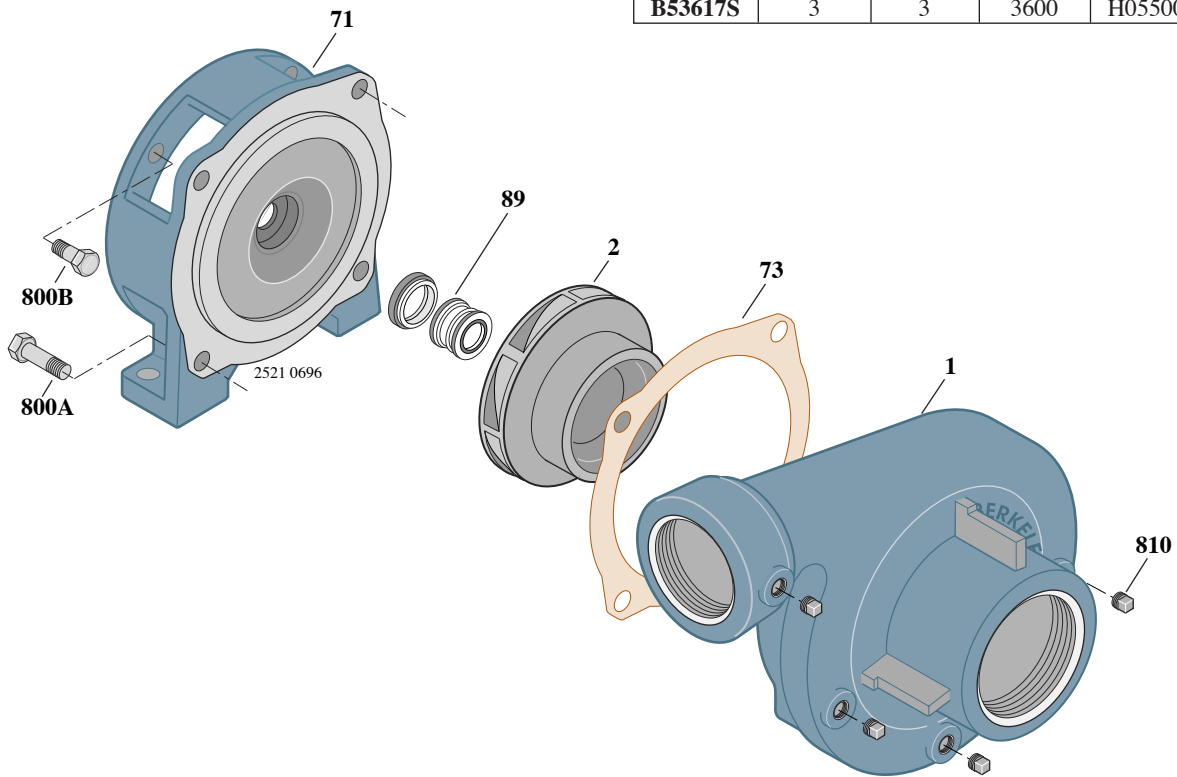
C2MPS

Threaded Case (NPT)

Mechanical Seal Construction

TABLE I

B/M No.	HP	Phase	RPM	Impeller	Impeller Diameter
B53616	3	1	3600	M07749	4.50"
B53616S	3	1	3600	H05500	4.50"
B53617	3	3	3600	M07749	4.50"
B53617S	3	3	3600	H05500	4.50"



Item No.	Part Description	Part Number
1	Case, Volute	L01861
2	Impeller	See Table I
71	Bracket	L02866
73	Gasket, Case	S07445
89	Seal, Mechanical Shaft	S08019
800A	Capscrew, 5/16 - 18 x 7/8" (4 Req.)	S26783
800B	Capscrew, 3/8 - 16 x 7/8" (4 Req.)	S26825
810	Plug, Pipe 1/8 NPT (4 Req.)	S23714