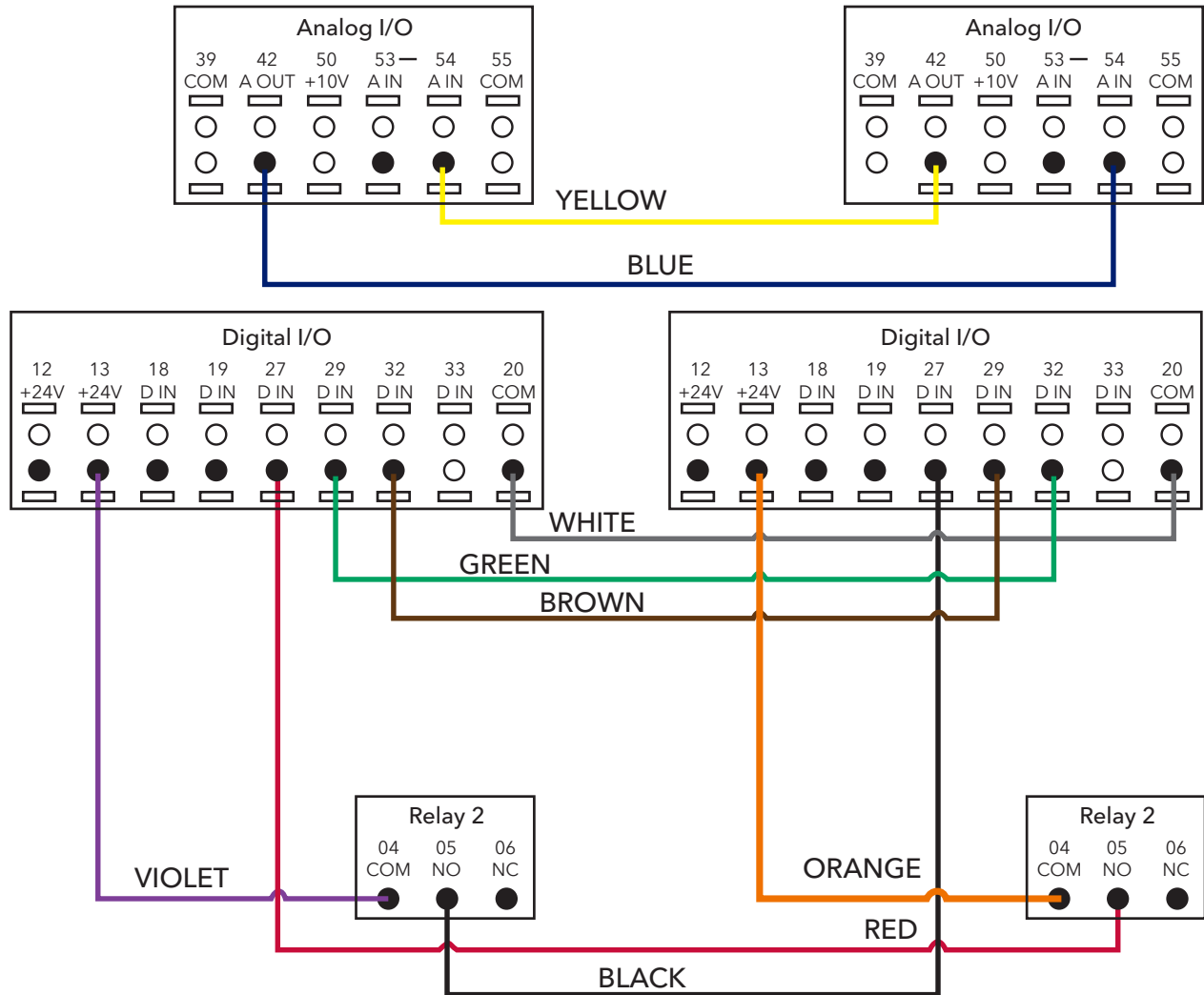


# Aquavar<sup>®</sup> IPC - Duplex Wiring

## Drive 1

## Drive 2



- **BLUE:** Drive 1 Analog Output #42 to Drive 2 Analog Input #54
- **YELLOW:** Drive 1 Analog Input #54 to Drive 2 Analog Output #42
- **VIOLET:** Drive 1 24V Supply #13 to Drive 1 Relay 2 #04 (Internal Jumper)
- **RED:** Drive 1 Digital I/O #27 to Drive 2 Relay 2 #05
- **BLACK:** Drive 1 Relay #2 05 to Drive 2 Digital I/O #27
- **WHITE:** Drive 1 Digital Common #20 to Drive 2 Digital Common #20
- **GREEN:** Drive 1 Digital I/O #29 to Drive 2 Digital I/O #32
- **BROWN:** Drive 1 Digital I/O #32 to Drive 2 Digital I/O #29
- **ORANGE:** Drive 2 24V Supply #13 to Drive 2 Relay 04 (Internal Jumper)

Xylem Inc.  
2881 East Bayard Street Ext., Seneca Falls, NY 13148  
Phone: (866) 325-4210 • Fax: (888) 322-5877 • [www.centripro.com](http://www.centripro.com)

CentriPro and Aquavar are trademarks of Xylem Inc. or one of its subsidiaries.  
© 2015 Xylem Inc. IM267 Revision Number 0 March 2015

