

## 88. TPE2, TPE2 D, TPE3, TPE3 D

50/60 Hz

### Impeller

| Pump type |             | TPE2, TPE2 D, TPE3, TPE3 D |          |          |          |          |          |
|-----------|-------------|----------------------------|----------|----------|----------|----------|----------|
|           |             | 32                         | 40       | 50       | 65       | 80       | 100      |
| Pos.      | Kit No      | 98660094                   | 98660095 | 98660096 | 98660097 | 98660098 | 98660098 |
| 11        | Key         | 1                          | 1        | 1        | 1        | 1        | 1        |
| 45        | Neck ring   | 1                          | 1        | 1        | 1        | 1        | 1        |
| 49        | Impeller    | 1                          | 1        | 1        | 1        | 1        | 1        |
| 66a       | Lock washer | 1                          | 1        | 1        | 1        | 1        | 1        |
| 67        | Locking nut | 1                          | 1        | 1        | 1        | 1        | 1        |

### Pump housing

| Pump type |              | TPE2         |          |          |          |          |          |          |           |
|-----------|--------------|--------------|----------|----------|----------|----------|----------|----------|-----------|
|           |              | 32           | 40       | 50       | 65       | 80       | 100      |          |           |
| Pos.      | Type         | PN 6, 10, 16 |          |          |          |          |          | PN 6     | PN 10, 16 |
|           | Kit No       | 98660054     | 98660055 | 98660056 | 98660057 | 98660058 | 98660059 | 98660060 | 98660061  |
| 6         | Pump housing | 1            | 1        | 1        | 1        | 1        | 1        | 1        | 1         |

| Pump type |              | TPE2 D       |          |          |          |          |          |          |           |
|-----------|--------------|--------------|----------|----------|----------|----------|----------|----------|-----------|
|           |              | 32           | 40       | 50       | 65       | 80       | 100      |          |           |
| Pos.      | Type         | PN 6, 10, 16 |          |          |          |          |          | PN 6     | PN 10, 16 |
|           | Kit No       | 98660070     | 98660071 | 98660072 | 98660073 | 98660074 | 98660075 | 98660076 | 98660077  |
| 6         | Pump housing | 1            | 1        | 1        | 1        | 1        | 1        | 1        | 1         |

| Pump type |              | TPE3         |          |          |          |          |          |          |           |
|-----------|--------------|--------------|----------|----------|----------|----------|----------|----------|-----------|
|           |              | 32           | 40       | 50       | 65       | 80       | 100      |          |           |
| Pos.      | Type         | PN 6, 10, 16 |          |          |          |          |          | PN 6     | PN 10, 16 |
|           | Kit No       | 98660062     | 98660063 | 98660064 | 98660065 | 98660066 | 98660067 | 98660068 | 98660069  |
| 6         | Pump housing | 1            | 1        | 1        | 1        | 1        | 1        | 1        | 1         |

| Pump type |              | TPE3 D       |          |          |          |          |          |          |           |
|-----------|--------------|--------------|----------|----------|----------|----------|----------|----------|-----------|
|           |              | 32           | 40       | 50       | 65       | 80       | 100      |          |           |
| Pos.      | Type         | PN 6, 10, 16 |          |          |          |          |          | PN 6     | PN 10, 16 |
|           | Kit No       | 98660078     | 98660079 | 98660080 | 98660081 | 98660082 | 98660083 | 98660084 | 98660085  |
| 6         | Pump housing | 1            | 1        | 1        | 1        | 1        | 1        | 1        | 1         |

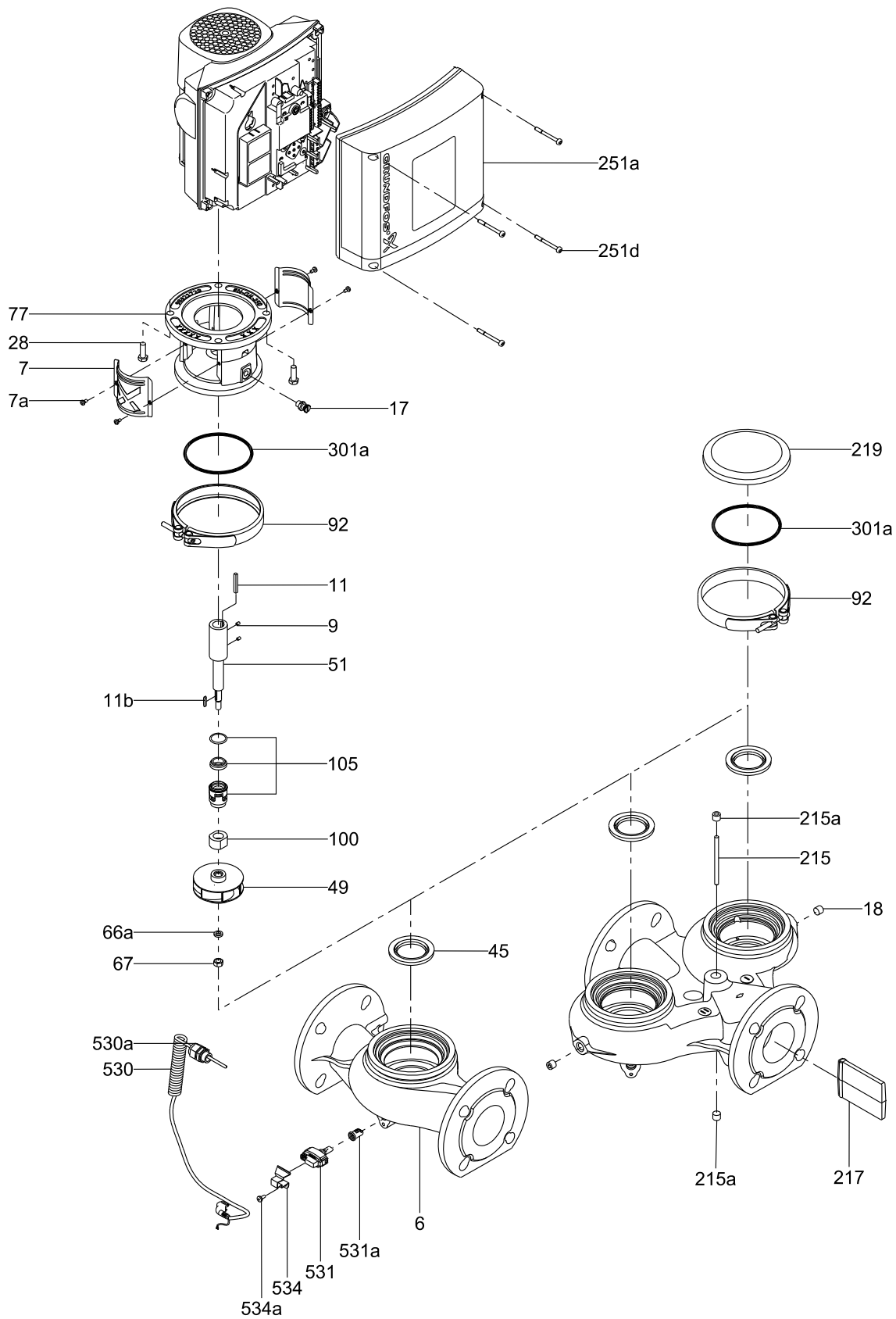
### Shaft seal

| Pump type |            | TPE2, TPE2 D, TPE3, TPE3 D |          |          |          |          |          |
|-----------|------------|----------------------------|----------|----------|----------|----------|----------|
|           |            | 32, 40, 50, 65, 80, 100    |          |          |          |          |          |
| Pos.      | Kit No     | 98660102                   | 98660103 | 98660104 | 98660105 | 98660106 | 98660107 |
|           | Type       | BUBE                       | BQQE     | GQQE     | BUBV     | BQQV     | GQQV     |
| 301a      | O-ring     | 1                          | 1        | 1        | 1        | 1        | 1        |
| 105       | Shaft seal | 1                          | 1        | 1        | 1        | 1        | 1        |

### Two-way flap

| Pump type |            | TPE2 D, TPE3 D |          |          |          |          |          |
|-----------|------------|----------------|----------|----------|----------|----------|----------|
|           |            | 32             | 40       | 50       | 65       | 80       | 100      |
| Pos.      | Kit No     | 98660108       | 98660109 | 98660110 | 98660111 | 98660112 | 98660113 |
| 215       | Guide pin  | 1              | 1        | 1        | 1        | 1        | 1        |
| 215a      | Plug       | 2              | 2        | 2        | 2        | 2        | 2        |
| 217       | Valve flap | 1              | 1        | 1        | 1        | 1        | 1        |

TPE2, TPE2 D, TPE3, TPE3 D



TPE2, TPE2 D, TPE3, TPE3 D

TM06 8625 1515

**Air vent screw**

| Pump type |                | TPE2, TPE2 D, TPE3, TPE3 D |  |
|-----------|----------------|----------------------------|--|
|           |                | 32, 40, 50, 65, 80, 100    |  |
| Pos.      | Kit No         | 98164277                   |  |
| 17        | Air vent screw | 1                          |  |

**Clamp**

| Pump type |        | TPE2, TPE2 D, TPE3, TPE3 D |  |
|-----------|--------|----------------------------|--|
|           |        | 32, 40, 50, 65, 80, 100    |  |
| Pos.      | Kit No | 98660114                   |  |
| 92        | Clamp  | 1                          |  |

**Motor stool**

| Pump type |             | TPE2, TPE2 D, TPE3, TPE3 D |  |
|-----------|-------------|----------------------------|--|
|           |             | 32, 40, 50, 65, 80, 100    |  |
| Pos.      | Kit No      | 98660053                   |  |
| 77        | Motor stool | 1                          |  |

**O-ring**

| Pump type |        | TPE2, TPE2 D, TPE3, TPE3 D |          |
|-----------|--------|----------------------------|----------|
|           |        | 32, 40, 50, 65, 80, 100    |          |
| Pos.      | Kit No | 98660099                   | 98811502 |
|           | Type   | EPDM                       | FKM      |
| 301a      | O-ring | 1                          | 1        |

**Sensor and cable**

| Pump type |             | TPE3, TPE3 D            |  |
|-----------|-------------|-------------------------|--|
|           |             | 32, 40, 50, 65, 80, 100 |  |
| Pos.      | Kit No      | 98802463                |  |
|           | Type        | DPS                     |  |
| 530       | Cable       | 1                       |  |
| 531       | Sensor      | 1                       |  |
| 531a      | Sealing cap | 1                       |  |
| 534       | Bracket     | 1                       |  |
| 534a      | Screw       | 1                       |  |

**Shaft**

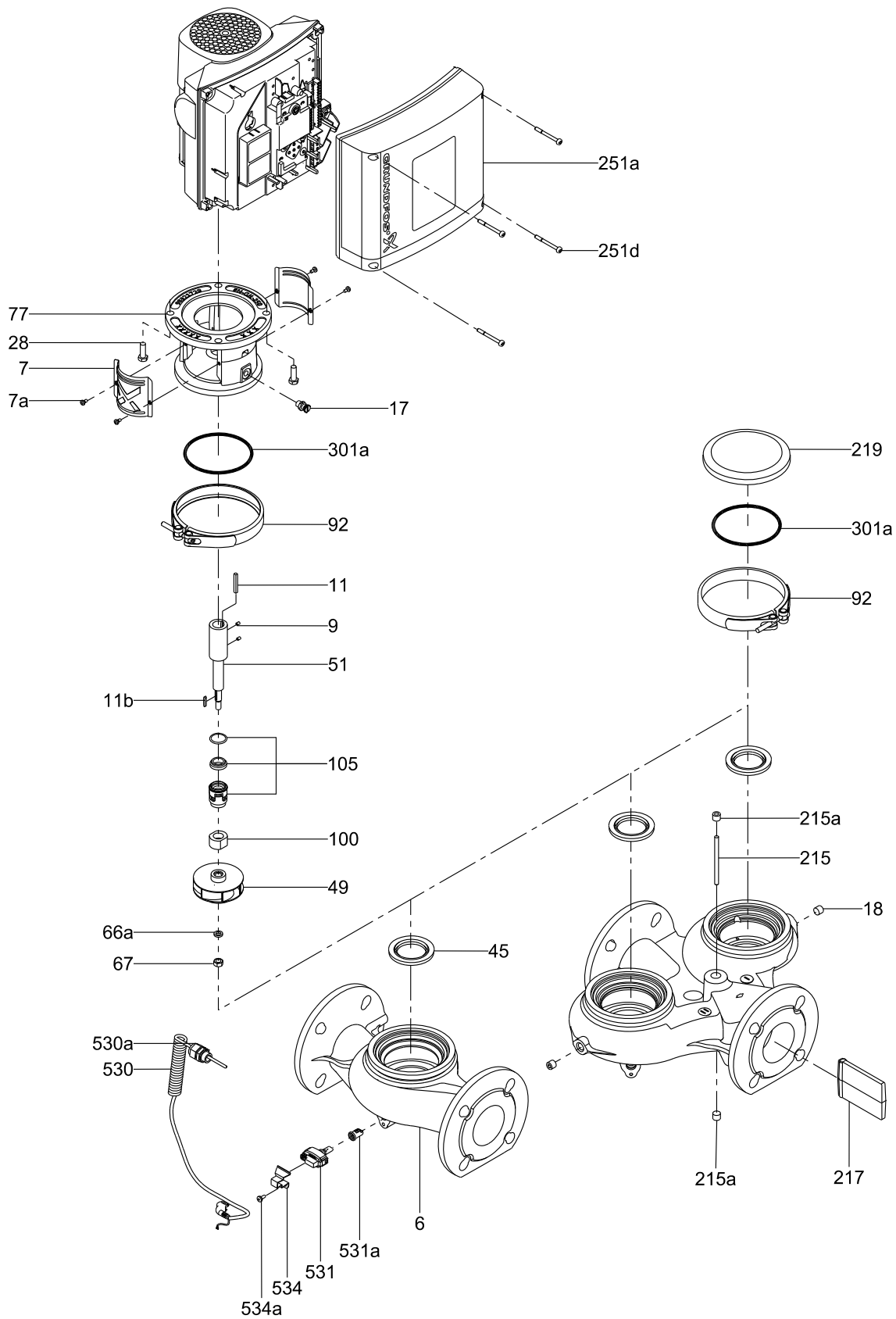
Choose the shaft according to the pump production date.

| Before week 39, 2016 |           |                            |           |
|----------------------|-----------|----------------------------|-----------|
| Pump type            |           | TPE2, TPE2 D, TPE3, TPE3 D |           |
|                      |           | 32, 40, 50, 65, 80, 100    |           |
| Pos.                 | Kit No    | 98660100                   | 98660101  |
|                      | Type      | EN 1.4301                  | EN 1.4401 |
| 9                    | Set screw | 3                          | 3         |
| 11                   | Key       | 1                          | 1         |
| 51                   | Shaft     | 1                          | 1         |

| From week 39, 2016 |           |                            |           |
|--------------------|-----------|----------------------------|-----------|
| Pump type          |           | TPE2, TPE2 D, TPE3, TPE3 D |           |
|                    |           | 32, 40, 50, 65, 80, 100    |           |
| Pos.               | Kit No    | 99131304                   | 99131305  |
|                    | Type      | EN 1.4301                  | EN 1.4401 |
| 9                  | Set screw | 3                          | 3         |
| 11                 | Key       | 1                          | 1         |
| 51                 | Shaft     | 1                          | 1         |

TPE2, TPE2 D, TPE3, TPE3 D

TPE2, TPE2 D, TPE3, TPE3 D



TM06 8625 1515