



# MARCH PUMPS

1819 PICKWICK AVE., GLENVIEW, IL 60026-1306, U.S.A

## AC-3CP-MD, AC-3AP-MD, BC-3CP-MD, BC-3AP-MD BC-3K-MD

### DESCRIPTION:

Series 3 are centrifugal magnetic drive pumps, eliminating the need for a shaft seal. Pumps are serviceable with a screwdriver. See the parts list for a breakdown of parts.

### OPERATION:

Pumps are not self-priming, lack a suction lift, and thus require a **flooded suction**. Pumps **cannot be run dry** because the impeller requires the liquid being pumped for lubrication. For liquids with a specific gravity greater than water, have a higher viscosity, or for elevated temperatures, a trimmed impeller may be necessary. For application assistance, contact March Pump.

### ELECTRICAL:

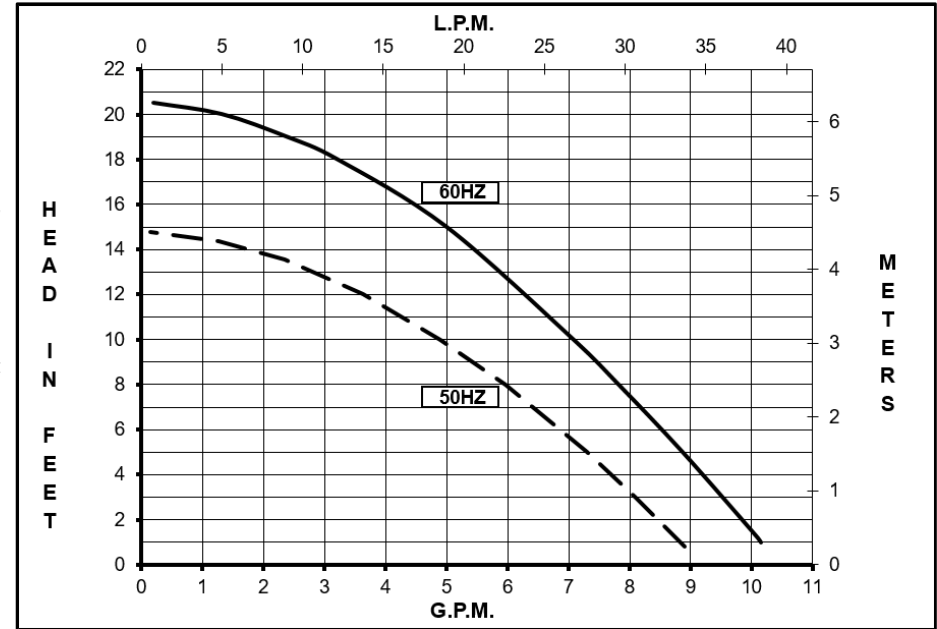
Motors are available in different electrical configurations such as 115 Volt 60 Hz, 115 Volt 50/60 Hz, or 230 Volt 50/60 Hz, 1 phase. The motors are U.L. listed and rated as continuous duty.

### LIMITED WARRANTY:

March pumps are guaranteed only against defects in workmanship or materials for a period of one year from date of manufacture pumping water.

### Model Abbreviations:

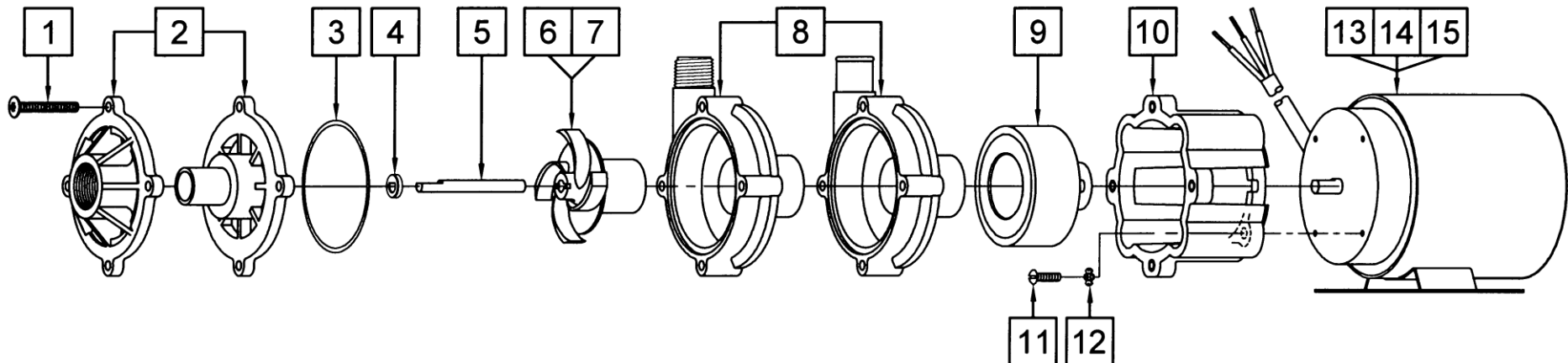
C: Threaded Inlet/Outlet, A: Smooth Inlet/Outlet, K: Kynar, AC: Air Cooled Motor, BC: Blast Cooled Motor



SPECIFICATIONS	AC-3CP-MD		AC-3AP-MD		BC-3CP-MD		BC-3AP-MD		BC-3K-MD																					
Product #	115 V	0130-0018-0100	0130-0103-0100		0130-0018-0300		0130-0105-0100		0130-0138-0100																					
	230 V	0130-0018-0200	0130-0103-0200		0130-0018-0600		0130-0105-0200		0130-0138-0200																					
Inlet - Outlet	3/4" FPT - 1/2" MPT		3/4" OD - 3/4" OD		3/4" FPT - 1/2" MPT		3/4" OD - 3/4" OD		3/4" FPT - 1/2" MPT																					
Max Internal Pressure	50 psi (344 kPa)		50 psi (344 kPa)		50 psi (344 kPa)		50 psi (344 kPa)		75 psi (517 kPa)																					
Max Liquid Temperature	190 °F (87 °C)		190 °F (87 °C)		190 °F (87 °C)		190 °F (87 °C)		200 °F (93 °C)																					
MODEL	60 Hz											50 Hz											Height		Width		Length		Packed Weight	
	Max Flow	Max Flow	ELECTRICAL								Max Flow	Max Flow	ELECTRICAL								Inches	cm	Inches	cm	Inches	cm	lbs	kg		
	gpm	lpm	ft	psi	m	Ph	V	A	Hp	kW	Rpm	gpm	lpm	ft	psi	m	Ph	V	A	Hp	kW	Rpm								
AC-3CP-MD	10	37.8	20.5	8.9	6.25	1	115	2.3	1/15	0.04	3450	8.7	33	14.7	6.4	4.5	1	230	1.0	1/15	0.04	2850	5	12.7	3.91	9.9	8.12	20.6	6.55	2.97
							230	0.9															5	12.7	4	10.1	8.77	22.2	7.50	3.40
AC-3AP-MD	10	37.8	20.5	8.9	6.25	1	115	2.3	1/15	0.04	3450	8.7	33	14.7	6.4	4.5	1	230	1.0	1/15	0.04	2850	5	12.7	3.91	9.9	8.90	22.6	6.55	2.97
							230	0.9															5	12.7	4	10.1	9.55	24.2	7.50	3.40
BC-3CP-MD	10	37.8	20.5	8.9	6.25	1	115	2.1	1/14	0.05	3450	8.7	33	14.7	6.4	4.5	1	115	2.4	1/14	0.05	2850	4.94	12.5	3.91	9.9	9.06	23.0	7.90	3.58
							230	1.0	1/15	0.04								230	1.1	1/15	0.04		4.94	12.5	3.91	9.9	9.06	23.0	8.10	3.67
BC-3AP-MD	10	37.8	20.5	8.9	6.25	1	115	2.1	1/14	0.05	3450	8.7	33	14.7	6.4	4.5	1	115	2.4	1/14	0.05	2850	4.94	12.5	3.91	9.9	9.84	25.0	7.90	3.58
							230	1.0	1/15	0.04								230	1.1	1/15	0.04		4.94	12.5	3.91	9.9	9.84	25.0	8.10	3.67
BC-3K-MD	10	37.8	20.5	8.9	6.25	1	115	2.1	1/14	0.05	3450	8.7	33	14.7	6.4	4.5	1	115	2.4	1/14	0.05	2850	4.94	12.5	3.91	9.9	9.06	23.0	7.90	3.58
							230	1.0	1/15	0.04								230	1.1	1/15	0.04		4.94	12.5	3.91	9.9	9.06	23.0	8.10	3.67

All specifications/values are based on pumping water and are intended as a guideline only. Values may vary with different motors.

**PARTS LIST**



**NOTE:** When attaching the Drive Magnet to the motor shaft, position the face of the Drive Magnet 3/32 inch below the face of the Motor Bracket.

#	DESCRIPTION	MATERIAL	SIZE (Inches)	QTY.	PART #				
					AC-3CP-MD	AC-3AP-MD	BC-3CP-MD	BC-3AP-MD	BC-3K-MD
1	Screw	Stainless	#10-32 x 1-1/2 Lg.	4			0823-0008-1000		
2A	Cover	Polypropylene	3/4 FPT Inlet	1	0130-0021-1000		0130-0021-1000		
2B		Polypropylene	3/4 OD Inlet	1		0130-0064-1000		0130-0064-1000	
2C		Kynar	3/4 FPT Inlet	1					0130-0111-1000
3A	"O" Ring	Buna N	3/32 CS x 2-13/16 OD	1	0130-0011-1000				
3B		Viton		1				0130-0033-1000	
3C	"O" Ring (Option)	Viton/Teflon		1			0130-0121-1000		
4	Thrust Washer	Ceramic		1			0130-0028-1000		
5	Shaft	Ceramic		1			0130-0024-1000		
6	Impeller	Polypropylene/Ceramic Magnet		1	0130-0020-0100				
7A	Encapsulated Impeller	Polypropylene		1			0130-0069-0200		
7B		Kynar	1					0130-0112-0200	
8A	Rear Housing	Polypropylene	1/2 MPT Outlet	1	0130-0018-1000		0130-0018-1000		
8B		Polypropylene	3/4 OD Outlet	1		0130-0102-1000		0130-0102-1000	
8C		Kynar	1/2 MPT Outlet	1				0130-0110-1000	
9	Drive Magnet			1			0130-0043-0200		
10	Motor Bracket	Plastic		1			0130-0066-0100		
11	Screw	Stainless	#8-32 x 5/8 Lg.	4			0618-0027-1000		
12	Lock Washer	Steel	#8	4			0140-0014-1000		
13	AC Motor, 115 V, 60 Hz			1	0130-0022-1000				
14	BC Motor, 115 V, 50/60 Hz (Not Shown)			1			0130-0140-1200		
15	AC or BC Motor, 230 V, 50/60 Hz			1			0130-0049-1200		

#	DESCRIPTION	ITEMS	QTY.	AC-3CP-MD	AC-3AP-MD	BC-3CP-MD	BC-3AP-MD	BC-3K-MD
W1	Wet End Kit (AC-3CP-MD)	1, 2A, 3A, 4, 5, 6, 8A	1	0130-0113-0200				
W2	Wet End Kit (BC-3CP-MD)	1, 2A, 3B, 4, 5, 7A, 8A	1			0130-0114-0200		

**Materials in Contact with Solution**

AC-3CP-MD & AC-3AP-MD: Polypropylene, Ceramic, Buna N, Ceramic Magnet

BC-3CP-MD & BC-3AP-MD: Polypropylene, Ceramic, Viton

BC-3K-MD: Kynar/Carbon Filled, Ceramic, Viton

NOTE: Contact Factory for other materials and/or parts not listed.

0130-0032-1000 R30