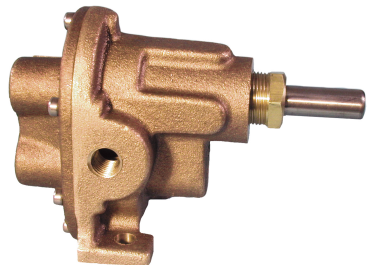


BRONZE PEDESTAL ROTARY GEAR PUMPS

GEAR PUMPS SERIES N2000



FEATURES

- Bronze Corrosion Resistant Castings
- Special Cast Bronze Gears
- Stainless Steel Shafts & Fasteners
- Formed Ring Seal Packing (Lip & Mechanical Seals on Special Order)
- Heavy Duty Carbon Bearings (Self Lubricating)
- Positive Displacement Flow

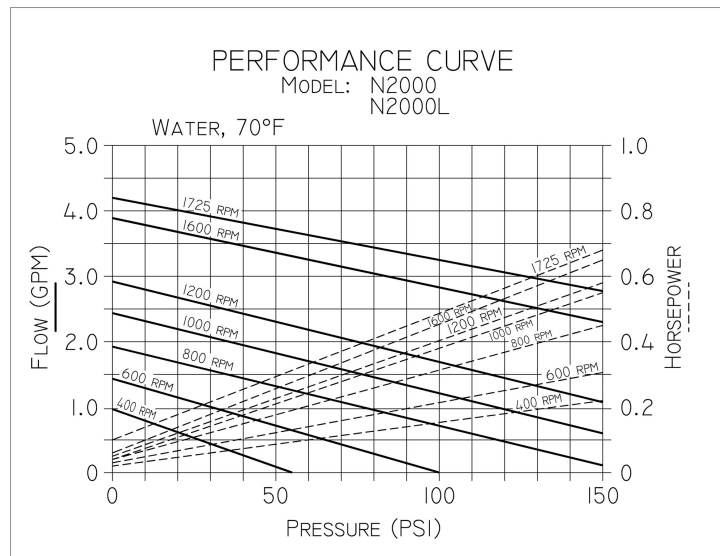
DRIVE

Either direct drive with flexible coupling or pulley drive can be used. Make sure both flexible coupling halves are properly aligned. When using a pulley, do not over tighten the belt. Also, to absorb belt side thrust at higher pressures and larger size pumps, an external ball bearing support is recommended – consult factory.

LIQUIDS AND TEMPERATURE

Service life will be increased substantially if the liquid pumped is clean and has some degree of lubricity. These positive displacement pumps have tight tolerances. Fine abrasives like sand, silt, or powders in suspension will accelerate pump wear and reduce throughput. Liquids compatible with bronze and stainless steel can be pumped providing proper seal has been specified (see chemical compatibility or check factory). When possible, flush the pump after each usage. Temperature extremes are detrimental to service life and should be avoided. Basic metals of construction allow a temperature range of -40 to 400oF. Some lip and mechanical seal elastomers have a limit of 212oF. (see engineering data or check factory). Allowing a liquid to freeze in the pump can cause damage.

PERFORMANCE



N2000

CAPACITY - WATER 70° F

R.P.M.	FT.HD.	0	46	92	138	184	231	290	346
	P.S.I.	0	20	40	60	80	100	125*	150*
400	GPM	0.97	0.69	0.40	0.10	---	---	---	---
	HP	0.02	0.04	0.08	0.10	---	---	---	---
	MOTOR	1/6	1/6	1/6	1/6	---	---	---	---
600	GPM	1.50	1.30	1.09	0.88	0.68	0.47	0.21	---
	HP	0.03	0.05	0.09	0.13	0.18	0.24	0.26	---
	MOTOR	1/6	1/6	1/6	1/6	1/4	1/4	1/4	---
800	GPM	2.03	1.82	1.62	1.41	1.21	1.00	0.65	0.30
	HP	0.04	0.07	0.11	0.15	0.22	0.29	0.36	0.45
	MOTOR	1/6	1/6	1/6	1/6	1/4	1/3	1/2	1/2
1000	GPM	2.50	2.30	2.10	1.90	1.70	1.50	1.00	0.50
	HP	0.04	0.08	0.13	0.18	0.24	0.32	0.45	0.55
	MOTOR	1/6	1/6	1/6	1/4	1/4	1/3	1/2	1/2
1200	GPM	2.92	2.72	2.52	2.31	2.10	1.90	1.50	1.00
	HP	0.05	0.09	0.16	0.22	0.28	0.36	0.48	0.58
	MOTOR	1/6	1/6	1/6	1/4	1/3	1/3	1/2	1/2
1600	GPM	3.75	3.55	3.35	3.15	2.95	2.75	2.45	2.20
	HP	0.06	0.11	0.18	0.25	0.33	0.41	0.53	0.65
	MOTOR	1/6	1/6	1/4	1/4	1/3	1/2	1/2	3/4
1725	GPM	4.07	3.86	3.65	3.44	3.23	3.03	2.80	2.50
	HP	0.10	0.14	0.20	0.29	0.37	0.43	0.56	0.68
	MOTOR	1/6	1/6	1/4	1/3	1/2	1/2	3/4	3/4

H.P. = Actual Horsepower

Motor = Convenient Fractional Size

G.P.M. = Gallons per Minute

P.S.I. = Lbs. Per Square Inch Pressure

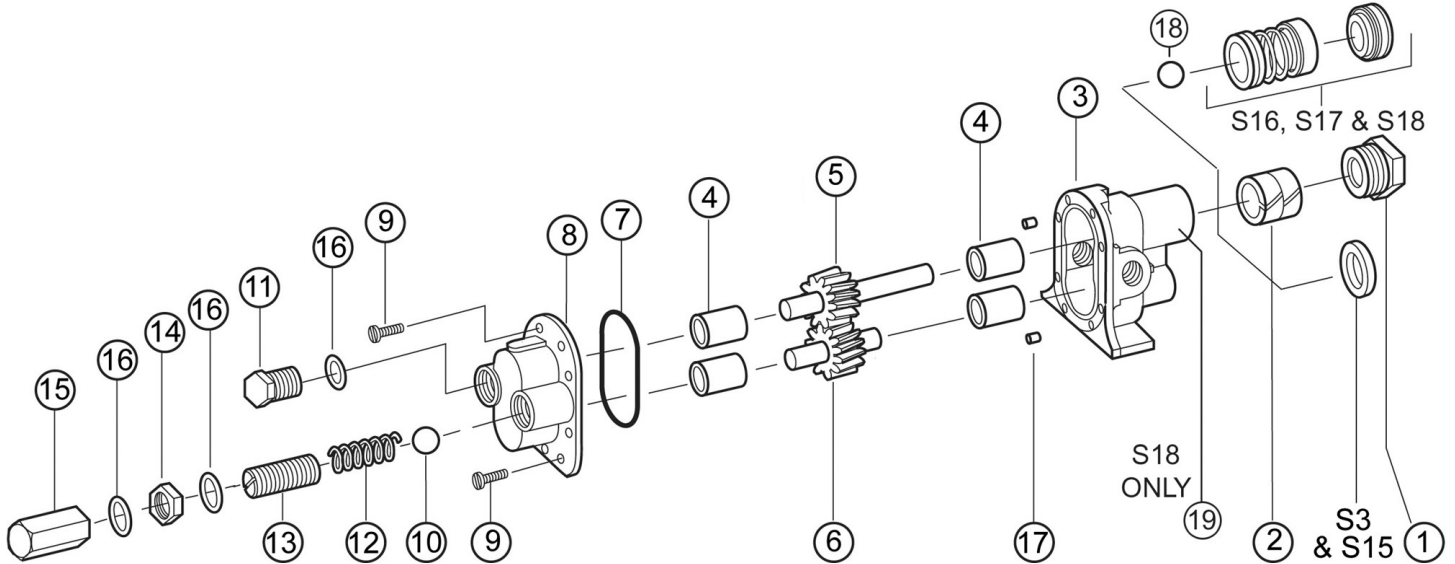
R.P.M. = Revolutions per Min.

Ft. Hd. = Equiv. Press. in Ft of Water

SUCTION LIFT

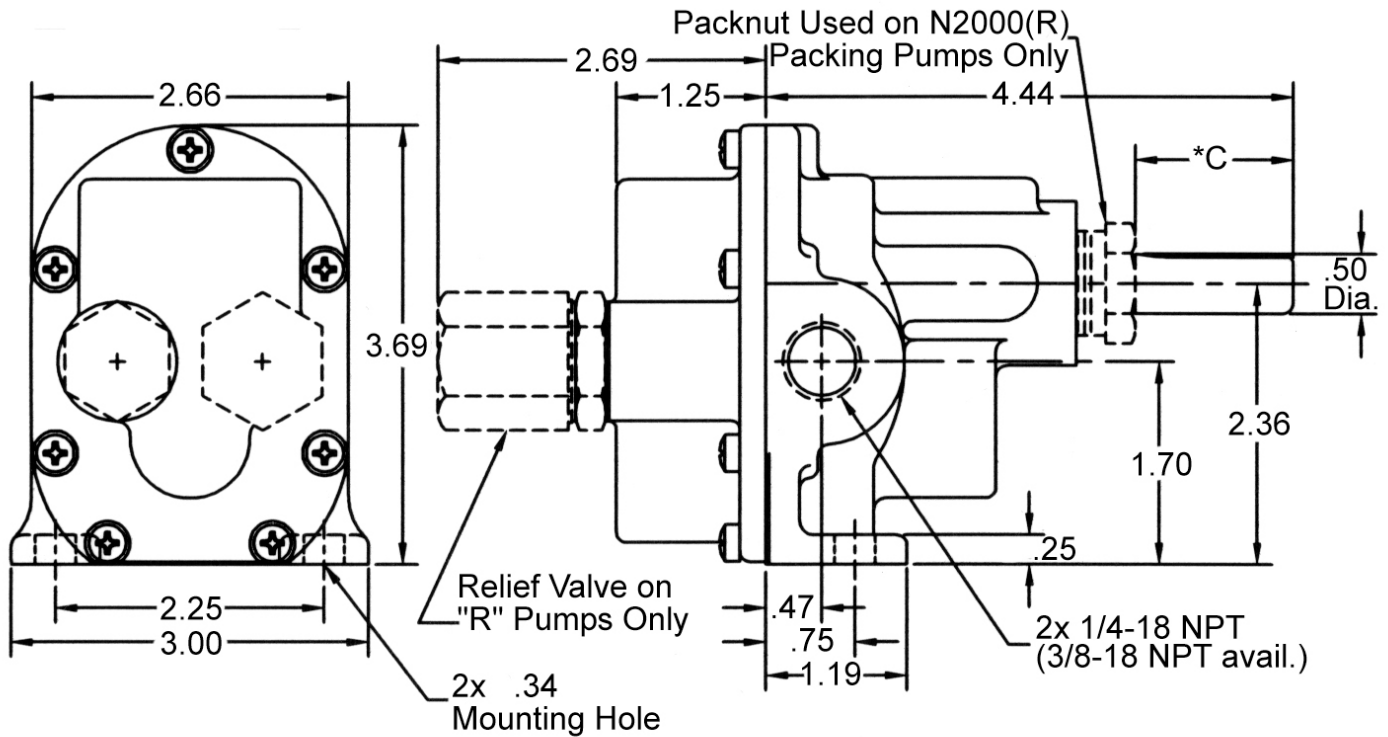
Close tolerances and the positive pumping action make the rotary gear pump capable of lifting water on the suction side as high as 20 feet. Though gear pumps are self priming, a foot valve is recommended. If possible, wet the gears with liquid to be pumped for the first dry start. Liquid retained in the system and gear chambers serves to “wet” the pump on subsequent starts. *For pressures over 100 psi, the above selections are suitable for pumping fluids with lubricity (e.q. oils, polymers). Service life will decrease for fluids without lubricity (e.q. water, solvents).

EXPLODED VIEW AND PARTS LIST



Pump No	1	2 ^{1,2}	3	4 ¹	5 ¹	6 ¹	7 ¹	8	9	10	11	12	13	14	15	16	17
	Packnut	Seal/ Packing	Body	Bearing	Drive Gear Assy.	Idle Gear Assy.	O-Ring	Cover	Screw	Ball	Plug Nut	Spring	Adj. Screw	Locknut	Bypass Nut	Fiber Washer	Dowel Pin
	1 Req'd	2 Req'd	1 Req'd	4 Req'd	1 Req'd	1 Req'd	1 Req'd	1 Req'd	7 Req'd	1 Req'd	1 Req'd	1 Req'd	1 Req'd	1 Req'd	1 Req'd	3 Req'd	2 Req'd
N2000	1892	5481	9315NB1N	5024	32992	32993	9797-038	9316NN5N	5385	---	---	---	---	---	---	---	8885
N2000R	1892	5481	9315NB1N	5024	32992	32993	9797-038	9317NN5B	5385	5238	1838	1840	5237	5240	5239	6533	8885
¹ Repair Kits contain items 2, 4, 5, 6 & 7. Repair Kit for N2000(R) is #10641.								Items 10 thru 16 are for relief models only.									

DIMENSIONS



*C Dim: 1.03 for Packing Pumps, 1.81 for S3 & S5 Lip Seals, 1.51 for S16 & S17 Mech. Seals

SEALS

²Seals

Number	Description	Part #	Reqd	Repair Kit
S3	Buna N Lipseal	5007	1	11379
S5	Viton(R)*-Teflon(R)* Lipseal	7580	1	11195

Note: For seals S3 & S5 part #3 is 9315NB2N.

Number	Description	Part Number	Reqd	Repair Kit
S16	Buna N Mech. Seal	32584	1	11970
S17	Viton(R)* Mech. Seal	32585	1	12103

Note: For seals S16 & S17 part #5 is 33000 & part #3 is 9315NB4N.

ADDITIONAL

Pump No.	A	B	C	C*	C**	D	E	F	G	H
N2000, N2000R N2000B, N2000BR	1/4	0.50	1.00	1.69	1.03	4.44	0.47	0.75	1.19	0.25

C - Packing

C* - Lip Seal

C** - Mechanical Seal

J	K	L	M	N	O	P	R	S
0.34	2.36	1.25	2.69	2.66	2.69	1.70	2.25	3.00