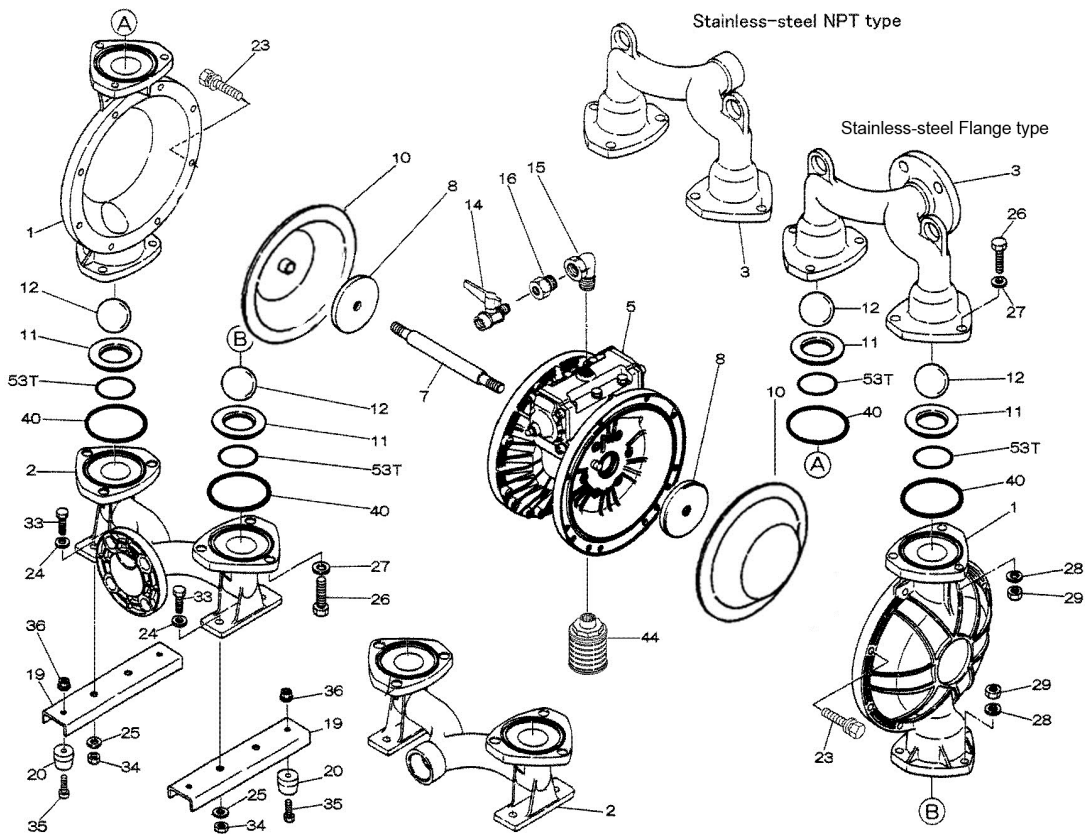


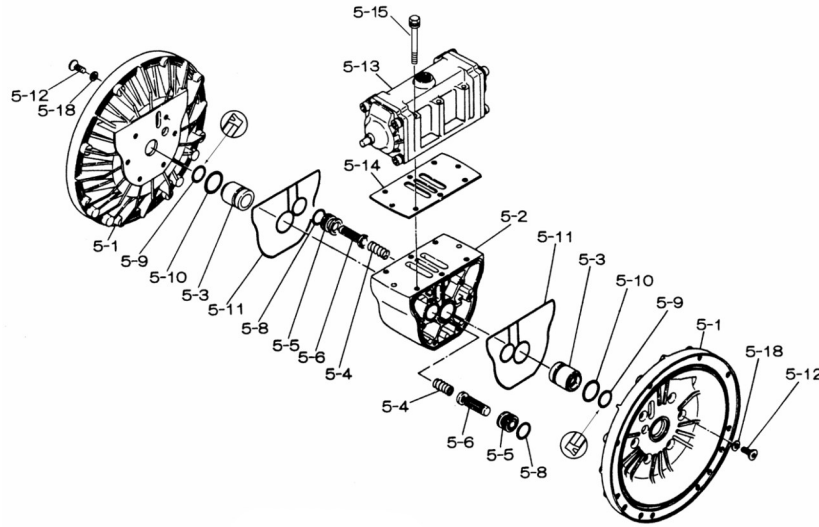
Model: NDP-40BSU

Model #: 852639-U - NPT

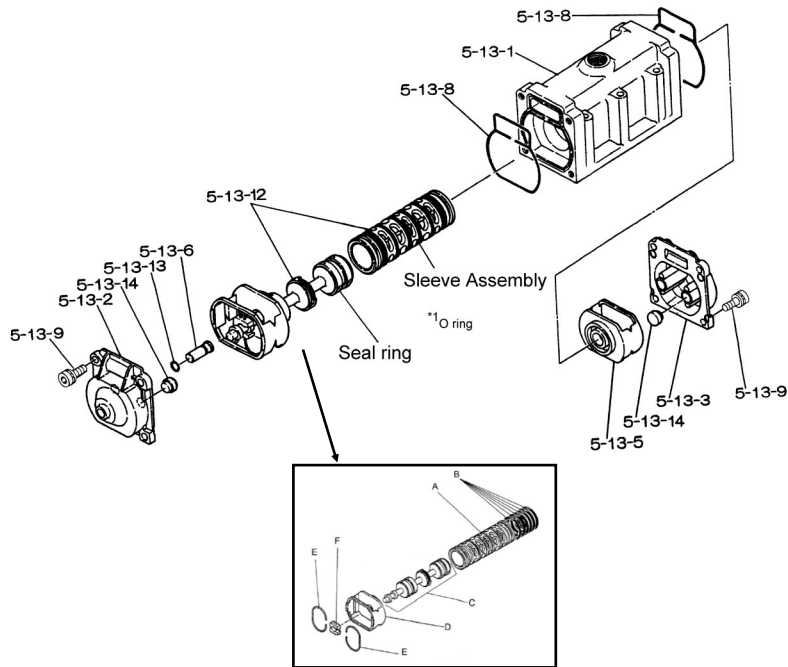
Model #: 852225-U - Flange



■Body Assembly



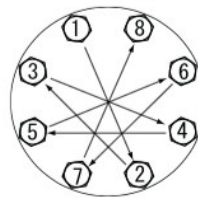
■Valve Body Assembly



Air Operated Double Diaphragm Pump

REF. NO.	PART NO.	DESCRIPTION	QTY	REORDER
1	712931	OUT CHAMBER 40SS	2	
2	712601	IN MANIFOLD 40SS NPT	1	
2	712599	IN MANIFOLD 40SS FLANGE	1	
3	712600	OUT MANIFOLD 40SS NPT	1	
3	712598	OUT MANIFOLD 40SS FLANGE	1	
5	803111	CENTER BODY ASSY	1	
5-1	711933	AIR CHAMBER 40	2	
5-2	711936	BODY	1	
5-3	772689	THROAT BEARING	2	
5-4	711937	PILOT VALVE SPRING	2	
5-5	771740	PILOT VALVE SEAT	2	
5-6	832162	PILOT VALVE ASSY	2	
5-8	640020	O RING	2	
5-9	685444	V PACKING	2	
5-10	640029	O RING	2	
5-11	771742	GASKET	2	
5-12	683812	FLAT SOCKET	12	
5-13	802971	VALVE BODY ASSY.	1	
5-13-1	711931	VALVE BODY	1	
5-13-2	580999	CAP A	1	
5-13-3	581000	CAP B	1	
5-13-5	771735	SPRING RETAINER	1	
5-13-6	712976	RESET BUTTON	1	
5-13-8	771738	GASKET	2	
5-13-9	685036	SOCKET BOLT	8	
5-13-12	805084	C SPOOL ASSY	1	
A	803675	SLEEVE ASSY	1	
B	640036	O RING	6	
C	805085	SPOOL ASSY	1	
D	771735	SPRING RETAINER	1	
E	711932	C SPRING	2	
F	771734	BLOCK	1	
5-13-13	640005	O RING	1	
5-13-14	684128	CUSHION	4	
5-14	771712	GASKET FOR VALVE BODY	1	
5-15	684240	BOLT W/WASHER	6	
5-18	684987	WASHER	12	
7	717130	CENTER ROD	1	
8	717132	CENTER DISK	2	
10	833223	DIAPHRAGM	2	
11	711908	VALVE SEAT	4	
12	770692	BALL	4	
14	686972	BALL VALVE	1	
15	682523	ELBOW	1	
16	684339	BUSHING	1	
19	711911	BASE	2	
20	771402	FOOT RUBBER	4	
21	706128	NUT	2	

REF. NO.	PART NO.	DESCRIPTION	QTY	REORDER
22	682740	WASHER	2	
23	621180	BOLT	16	
24	631174	FLAT WASHER	4	
25	631937	WAVE WASHER	20	
26	621202	BOLT	12	
27	631175	FLAT WASHER	12	
28	631938	WAVE WASHER	12	
29	628014	NUT	12	
33	621175	BOLT	4	
34	628013	NUT	4	
35	611149	BOLT	4	
36	682276	NUT W/FLANGE	4	
40	643065	O RING	4	
44	804764	SILENCER ASSY	1	
53T	643136	O RING	4	
KIT	K40-MU	LIQUID SIDE KIT		
KIT	K45-AM	AIR MOTOR KIT		



Tightening torque for out chambers.
 Out Chambers 29 ft-lbf {40 N-m}

Tightening torque for manifold retainer bolts.
 40BSU 18 ft-lbf {25 N-m}

General Tools:

- Socket wrenches - 13mm, 17mm, 19, mm 24mm
- Hexagonal box wrench - 5mm, 6mm
- Small crowbars - 2
- Open-end wrenches - 24mm
- Plastic hammer

Special Tools (sold separately):

- Sleeve remover (713180)

Miscellaneous:

- Assembly Oil - turbine oil none additional class 1 (equivalent to ISO VG32 grade)
- Nuts - M16 x 1.5
- Thread locker
- Urea grease grade (NLGI) No. 2

Customer Notes

Model #: _____

Description: _____

Serial #: _____

Date Installed: _____

Department Location: _____

Tag/Project: _____