

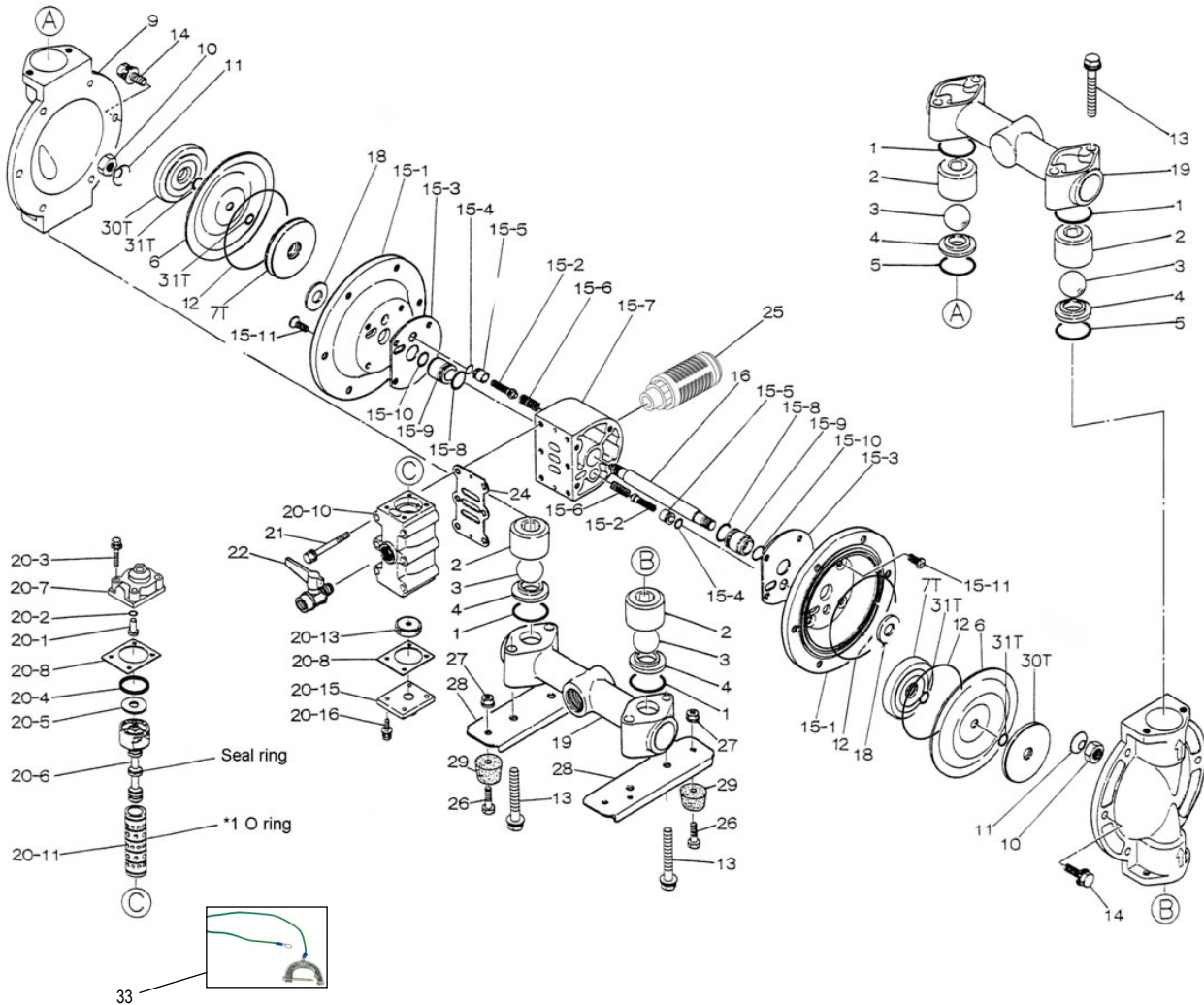
EXPLODED VIEW & PARTS LISTING

Model: NDP-25BAT-UL

Part # 851531-UL

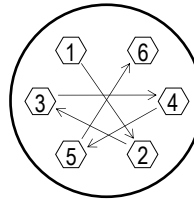


Air Operated Double Diaphragm Pump



Air Operated Double Diaphragm Pump

REF. NO.	PART NO.	DESCRIPTION	QTY.	REORDER
1	643044	O-RING	4	
2	711702	VALVE STOPPER	4	
3	770691	BALL	4	
4	590087	VALVE SEAT	4	
5	771130	O-RING	2	
6	771110	DIAPHRAGM	2	
7T	709459	CENTER DISK	2	
9	711687	OUT CHAMBER	2	
10	682263	NUT	2	
11	682730	CONED DISK SPRING	2	
12	640154	O-RING	2	
13	611185	BOLT	8	
13 washer	681917	WAVE WASHER	8	
14	621185	BOLT	12	
14 washer	631917	WAVE WASHER	12	
15	804665	BODY ASSEMBLY	1	
15-1	715937	AIR CHAMBER	2	
15-2	802360	PILOT VALVE ASSEMBLY	2	
15-3	771057	GASKET	2	
15-4	640009	O-RING	2	
15-5	771945	VALVE SEAT	2	
15-6	708666	SPRING	2	
15-7	709812	BODY	1	
15-8	685276	O-RING	2	
15-9	772703	THROAT BEARING	2	
15-10	685414	PACKING	2	
15-11	682486	FLAT HEAD BOLT	8	
16	709162	CENTER ROD	1	
18	771054	CUSHION	2	
19	831281	MANIFOLD	2	
20	802362	VALVE BODY ASSEMBLY	1	
20-1	709161	RESET BUTTON	1	
20-2	640005	O-RING	1	
20-3	682704	BOLT	4	
20-4	771241	PACKING	1	
20-5	715961	PLAIN WASHER	1	
20-6	802400	C SPOOL VALVE ASSEMBLY	1	
20-6 seal	771053	SEAL RING	5	
20-7	710221	CAP	1	
20-8	771240	GASKET	2	
20-10	711639	VALVE BODY	1	
20-11	803931	SLEEVE ASSEMBLY	1	
20-11-*1	771080	O-RING	6	
20-13	771914	CUSHION	1	
20-15	709305	CAP	1	
20-16	682262	BOLT	4	
21	682265	BOLT	6	
22	686970	BALL VALVE	1	
24	771056	GASKET	1	
25	804697	SILENCER	1	
26	611148	BOLT	4	
27	682276	NUT WITH FLANGE	4	
28	709156	PUMP BASE	2	
29	770551	CUSHION	4	
30T	709327	CENTER DISK	2	
31T	643013	O-RING	4	
32	104233	GROUND KIT	1	
KIT	K25-MT	LIQUID END		
KIT	K225-AM	AIR MOTOR		



Tightening torque for center rod and out chambers.
Center Rod 29 ft-lbf {40 N-m}
Out Chambers 15 ft-lbf {20 N-m}

Tightening torque for manifold retainer bolts.
BAT-UL 28 ft-lbf {35 N-m}

General Tools:

- Socket wrenches - 10mm, 12mm, 13mm, 17mm, 22mm
- Hexagonal box wrench - 5mm
- Open-end wrenches - 22mm

Miscellaneous:

- Assembly Oil - turbine oil none additional class 1 (equivalent to ISO VG32 grade)
- Nuts - M14 x 1.5
- Urea grease grade (NLGI) No. 2
- Lubricants equivalent to Loctite Anti-Seize 767

Customer Notes

Model #: _____

Description: _____

Serial #: _____

Date Installed: _____

Department Location: _____

Tag/Project: _____