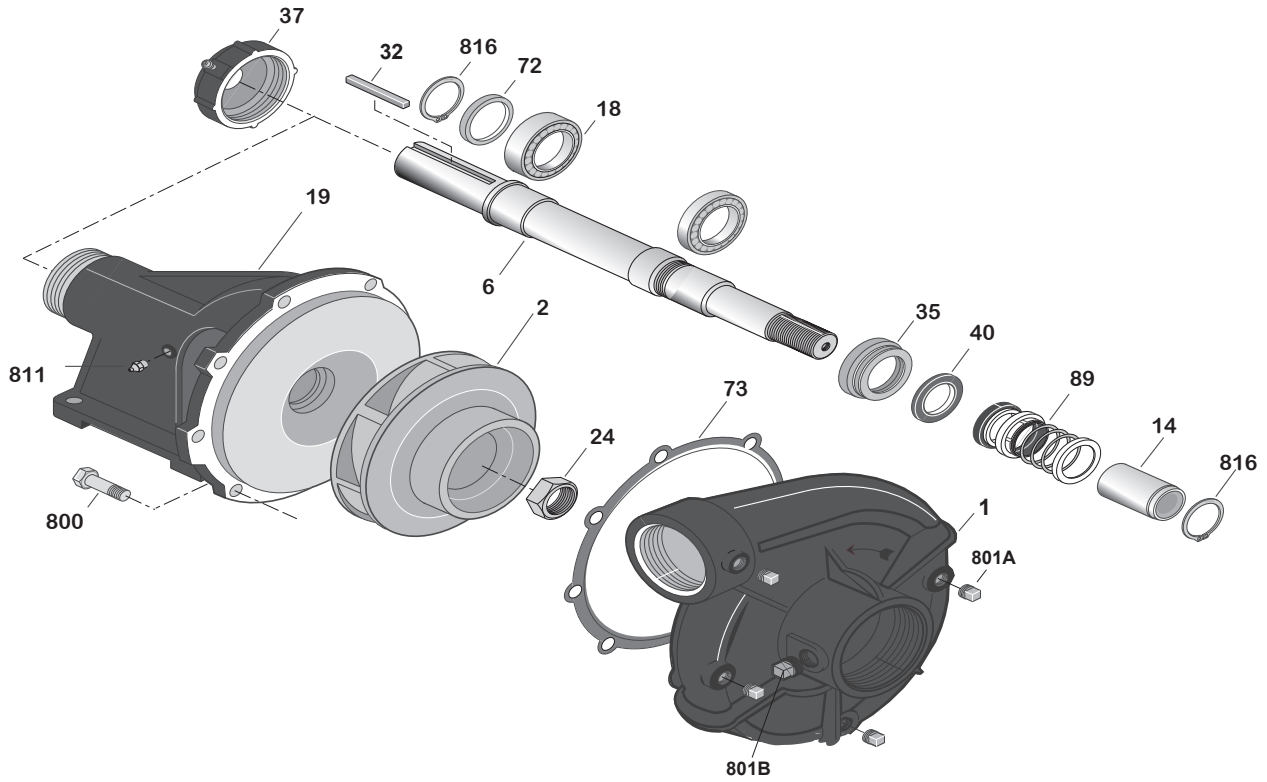


Threaded Case (NPT)

Mechanical Seal Construction



Item No.	Part Description	Part Number
1	Case, Volute	See Table I
2	Impeller	See Table I
6	Shaft (Not sold separately)	See Note I
14	Sleeve, Shaft	Z24293
16	Bearing, Ball	Z07231
18	Bearing, Ball	Z17231
19	Frame	Z70040
24	Locknut, Impeller (CW)	Z02201
24	Locknut, Impeller (CCW)	Z981-63SS
32	Key, 1/4x2-1/8"	Z55242
40	Slinger, Water	Z06221
35	Inner Bearing Cap	Z33091
37	Outer Bearing Cap Assembly*	Z41991
72	Ring, Thrust	Z81292
73	Gasket, Volute	Z62150
89	Seal, Mechanical Shaft	Z09623
800	Capscrew, Hex 3/8-16x1" (8 Req.)	Z62862
810A	Plug, Pipe 1/4 NPT (4 Req.)	Z51732
810B	Plug, Pipe 1/2 NPT	Z71732

**TABLE I**

B/M No.	Rotation	Volute Case	Impeller	Impeller Diameter
<b>Z41486</b>	<b>CW</b>	Z98600	Z35120	9.00"
<b>Z51486</b>	<b>CCW</b>	Z89600	Z18120	9.00"

Item No.	Part Description	Part Number
811	Fitting, Grease	Z07632
816	Ring, Retaining	Z90032
816	Ring, Retaining	Z01032

1. **Shaft Replacement Kit** available for this model. AquaTruck part number **Z99608** for CW, **Z79608** for CCW.

Pump Shaft sold in shaft replacement kit only.

\* Includes grease fitting and set screw.

**AQUATRUCK PUMP**

5044 Industrial Rd., Suite C  
Farmingdale, NJ 07727

P: (800) 810-1053 F: (732) 223-2587

E: info@aquatruckpumps.com

Order Online: [www.PumpCatalog.com](http://www.PumpCatalog.com)