

BALDOR® • ***RELIANCE***

Product Information Packet

AP231001

.02HP,1800RPM,DC,AP-0,2308P,TENV,F1

Part Detail							
Revision:	U	Status:	PRD/A	Change #:		Proprietary:	No
Type:	DC	Prod. Type:		Elec. Spec:	23WGZ001	CD Diagram:	CD1899
Enclosure:	TENV	Mfg Plant:		Mech. Spec:		Layout:	23LYA001
Frame:		Mounting:	F1	Poles:	///	Created Date:	
Base:		Rotation:	R	Insulation:	F	Eff. Date:	09-21-2016
Field Type:		Literature:		Elec. Diagram:		Replaced By:	

Nameplate NP1220A15	
CAT.NO.	AP231001
SER.NO	
SPEC.	23A001Z001
FRAME	
HP	.017 TE
VOLTS	90DC
AMP	.25
F.F.	1.30
RPM	1800
AMB.	40
BRUSHES	2/BP5060DA02
APRV-CUL	

Parts List		
Part Number	Description	Quantity
SA048824	SA 23A001Z001	1.000 EA
AA005460	AA 23A001Z001	1.000 EA
LC0899A02	CONNECTION LABEL FOR TYPE DCPM	1.000 EA
BP5060DA02	CARBON BRUSH-1/8X3/16 FOR MODEL 23 P130	2.000 EA
23BA4002L	23BA4002-BLACK POWDER COATED	1.000 EA
96XN1032A05	10-32X5/16 FLAT HD PHLPS DRV	2.000 EA
23EP3108A01L	EP,23DC ODE CL 0.63 P4	1.000 EA
HW5002A45	RETAINING RING,WALDES TRUARC N5002-118	1.000 EA
HW5109A06	WASHER, WAVE SPRING FOR 22MM BORE SMALLE	1.000 EA
55XT0632G03	6-32 X 0.187 RD HD PHILLIPS, SERRATED	1.000 EA
23EP3100A01L	ENDPLATE, 23 FRAME FRONT	1.000 EA
WD4102A01	SR-6L-1 HEYCO STRN RELIEF OR 23MPO6L10 M	1.000 EA
HA3170A08	THRUBOLT,FLAT HD. #8-32 THDS X 3.437 LON	2.000 EA
80XN0632J03	SCREW, 6-32 X 3/16", SHS, AS	2.000 EA
BP4517	BRUSH TUBE ASM,	2.000 EA
BP4515SP	BRUSH CAP	1.000 EA
BCB1111-063	CABLE ASS'Y, 18-3-SJOOW	1.000 EA
NP1220A15	NP,DC STD AD NONE V MOTOR ONLY CUL	1.000 EA
CPA1000	PACKING GROUP STD. SINGLE	1.000 EA

Accessories		
Part Number	Description	Multiplier
BC110	FRAC DC ANALOG,115AC,50/60HZ,1.0A,1	E9
BC138	3478# KBWM-120 CN3000A57	E9
BC140	CS2934A,120/240VAC .5/1-HP SCR CTL,NEMA	E9
BC140-FBR	3479G KBMD-240D w/FBR CN3000A54	E9
BC141	CHASSIS MOUNT FSCN CN3000A20	E9
BR0510	PLUG IN RESISTOR	E9

DC Motor Performance Data

Record # 676 - Typical performance - not guaranteed values

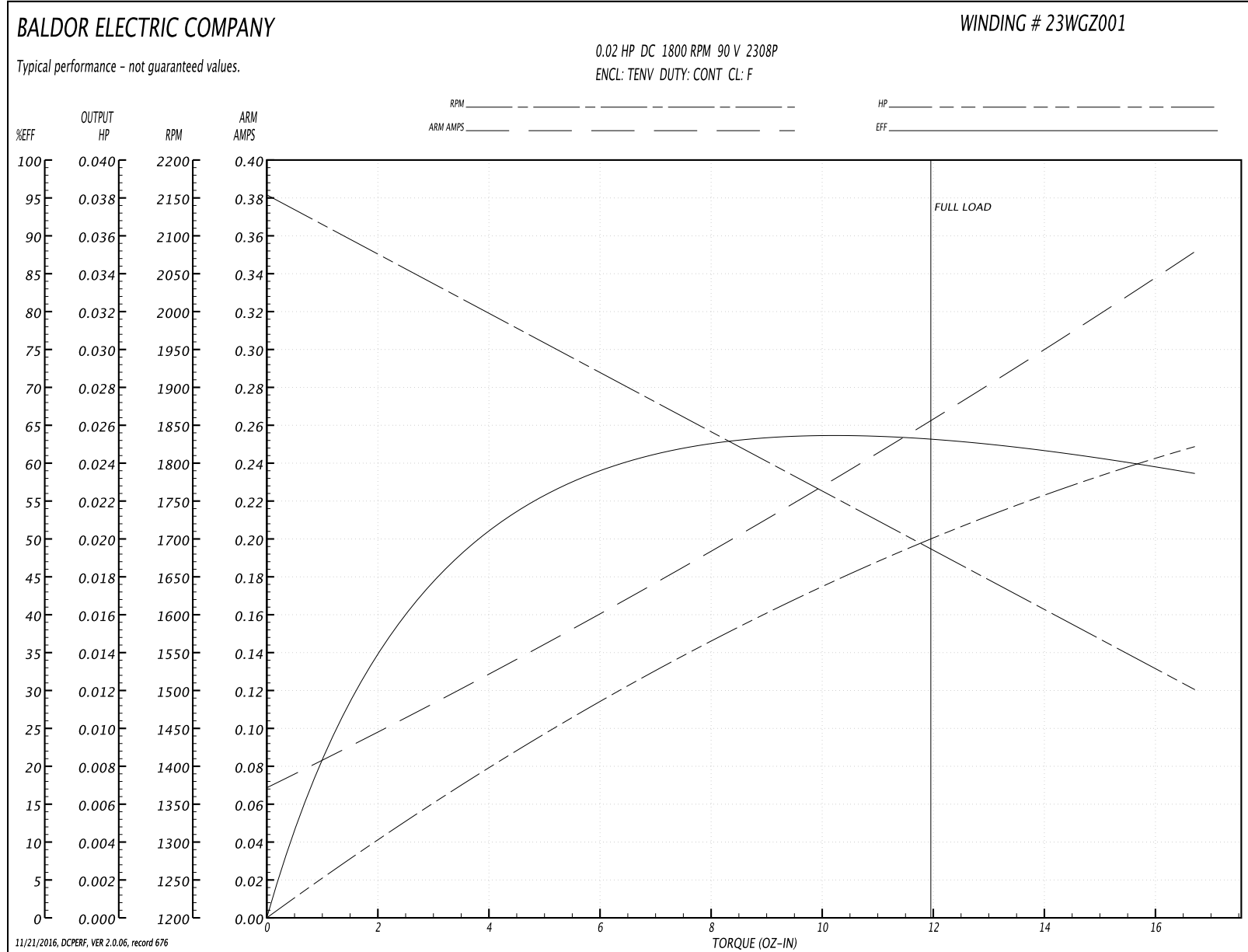
Winding: 23WGZ001-R001	Type: 2308P	Enclosure: TENV
-------------------------------	--------------------	------------------------

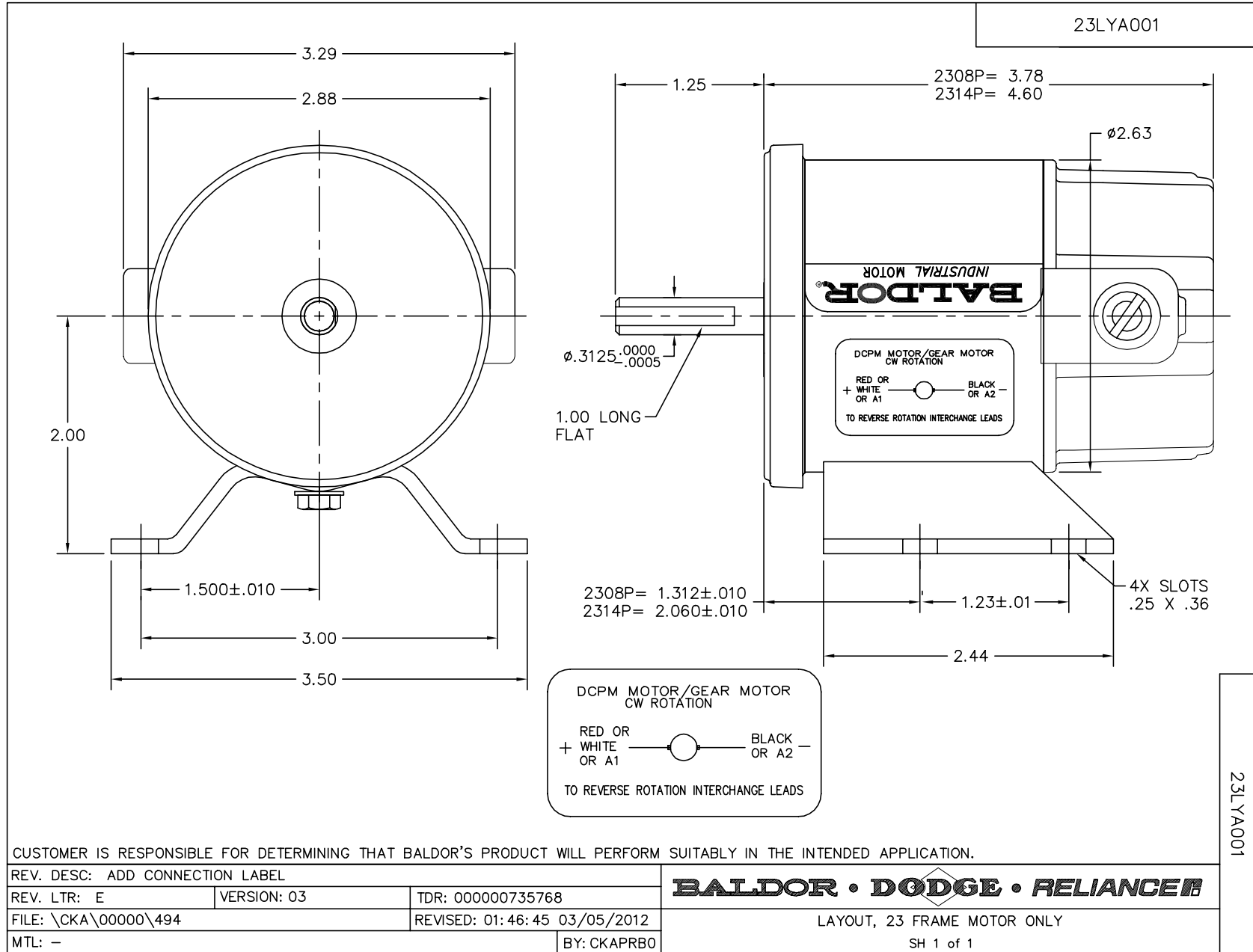
Nameplate Data		General Characteristics	
Rated Output (HP)	0.02	Armature Resistance @ 25°C	78.784 Ω
R.P.M.	1800		
Armature Volts	90		
Armature Amps	0.29		
Field Volts			
Field Amps		Armature Inertia	2.096 OI ²
Rating - Duty	40C AMB-CONT		
Form Factor	1.3	Maximum allowable inrush amps	5

Load Characteristics at 90 Armature Volts

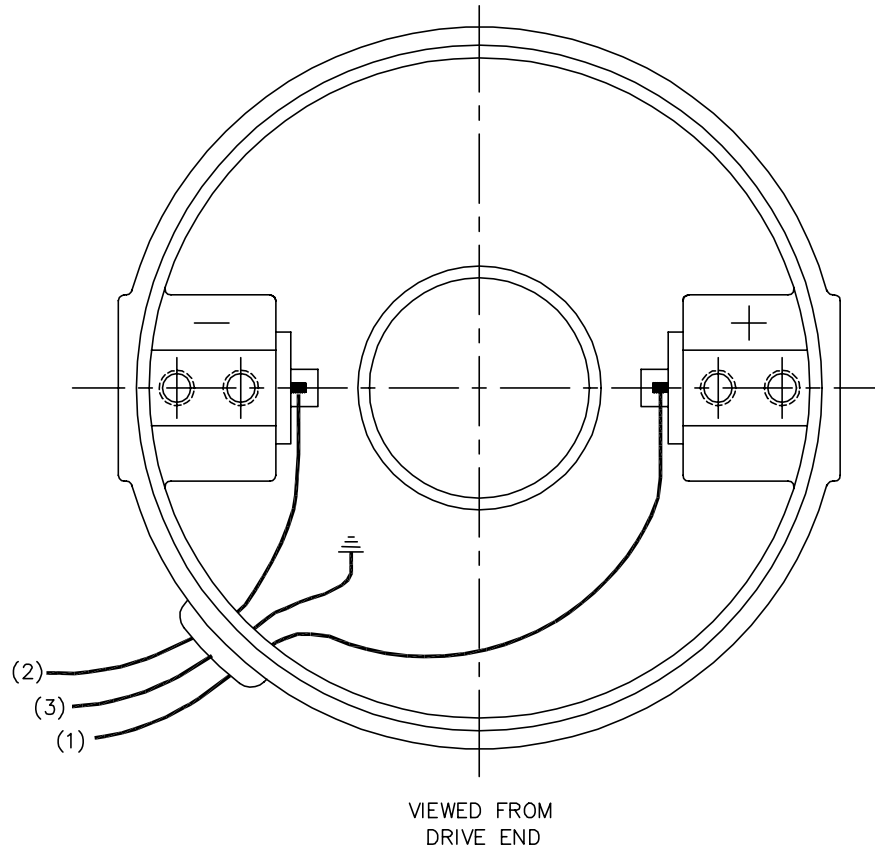
Load Point	1	2	3	4	5	6	7
Armature Amps	0.07	0.11	0.15	0.2	0.25	0.3	0.35
R.P.M.	2142	2052	1940	1834	1720	1608	1496
Torque (OZ-IN)	0	2.79	5.57	8.36	11.14	13.93	16.71

Performance Graph at 90.0 Arm V, 0.02HP Typical performance - Not guaranteed values





CD1899



(1) COLOR MAY BE
RED
WHT
BLU

(2) COLOR MAY BE
BLK
BRN

(3) COLOR WHEN REQ.
GRN
GRN/YEL

VIEWED FROM
DRIVE END

REV. DESC: NEW			
REV. LTR: -	BY: PAW	REVISED: 09:06:34 09/16/2004	TDR: 341564
668100		FILE: CKA00025830	REF: CD1899
		MTL: -	

BALDOR ELECTRIC Co.

PM,2LD,REV,TANG,CK

CD1899