

BALDOR® • ***RELIANCE***

Product Information Packet

CDPWD3585

2HP,1750RPM,DC,145TC,3548P,TEFC,F1

Part Detail							
Revision:	AG	Status:	PRD/A	Change #:		Proprietary:	No
Type:	DC	Prod. Type:		Elec. Spec:	35WGZ170	CD Diagram:	CD0194
Enclosure:	TEFC	Mfg Plant:		Mech. Spec:	35P523	Layout:	35LYP523
Frame:	145TC	Mounting:	F1	Poles:	///	Created Date:	
Base:	RG	Rotation:	RS	Insulation:	F	Eff. Date:	09-10-2015
Field Type:		Literature:		Elec. Diagram:		Replaced By:	

Nameplate NP1509			
CAT.NO.	CDPWD3585		
SPEC.	35P523Z170		
HP	2	ENCL	TEFC
RPM	1750		
FRAME	145TC	TYPE	3548P
ARM V	180	ARM A	9.6
FLD V		FLD A	
INSUL	F	AMB.	40
DUTY	CONT	SUPPLY	K
BRG/DE	6205	BRG/ODE	6205
BRUSHES	2/BP5000T15		
		BLANK	IP55
SER.			
BLANK			
APRV-CSA	<input type="checkbox"/>	APRV-UL	<input type="checkbox"/>
		APRV-CE	<input type="checkbox"/>

Parts List		
Part Number	Description	Quantity
SA005548	SA 35P523Z170	1.000 EA
AA003197	AA 35P523Z170	1.000 EA
BP5000T15SP	CARBON BRUSH-35P,180VOLTS	1.000 EA
11XW1032G06	10-32 X .38, TAPTITE II, HEX WSHR SLTD U	1.000 EA
HW3001B02	BRASS CUP WASHER W/GROUND SYMBOL TAB,	1.000 EA
HW4600B49	SEAL 0.938 X 1.624 X 0.250 SINGLE LIP DB	1.000 EA
HA1005A03SP	SLINGER, OD 1.750, ID .938, 205 BRG	1.000 EA
HW5100A05	WVY WSHR F/205 & 304 BRGS	1.000 EA
HW4600B49	SEAL 0.938 X 1.624 X 0.250 SINGLE LIP DB	1.000 EA
HA1005A15	SLINGER,.860 ID X 1.625 OD X .125 THICK	1.000 EA
12XN1032S20	10-32 X 1-1/4 HEX M.S. , STAINLESS STEEL	2.000 EA
BP5201A18	BRUSH HOLDER - WITHOUT CAP & CONN.	2.000 EA
BP4543A01	BRUSH HOLDER CAP, AE-74-SO W/O'RING	2.000 EA
BP3000A02SP	AMP LEAD CLIP #60812-2 SPL	1.000 EA
80XN1032A03	10-32 X 3/16 SET SCREW	2.000 EA
MJ5004A05	#242-21 LOCTITE GENERAL PURPOSE MED. STR	0.001 EA
35FN3002A05	EXFN, PLASTIC, 6.376 OD, .638 ID	1.000 EA
51XB1214A16	12-14X1.00 HXWSSLD SERTYB	1.000 EA
11XW1032S06	10-32 X .38, TAPTITE II, HEX WSHR SLTD U	3.000 EA
WD4102A01	SR-6L-1 HEYCO STRN RELIEF OR 23MPO6L10 M	1.000 EA
WD4100A17	PLUG STIMPSON D4036	1.000 EA
35GS1010A01	GASKET, CONDUIT BOX LID TDR 11640	1.000 EA
59XW0832S07	TAPTITE II,HEX WSHR UNSLTD SER,410 S.S.,	2.000 EA
HW2502D13	SS KEY, 3/16 SQ X 1.375	1.000 EA

Parts List (continued)		
Part Number	Description	Quantity
HA7000A01	KEY RETAINER 7/8" DIA SHAFT	1.000 EA
LB1164	LABEL,WARNING AND DRAIN	1.000 EA
35EP3110A14W	FR EP TEFC 35PM W/WHITE POWDER COAT PAINT	1.000 EA
35EP3301A05W	PU E.P. ENCL, 56C 35PM-205 BRG W/WHITE P	1.000 EA
35FH5001A10WP	DRIP COVER ASS'Y TEFC HOR,EPOXY PRIMER P	1.000 EA
35CB4506W	CONDUIT BOX LID, STAMPED W/WHITE POWDER	1.000 EA
MJ5001A27	32220KN GRAY SEALER *MIN BUY 4 QTS=1GAL	0.001 QT
MG1025W01	WILKOFAS, 781.01, SIGNAL WHITE #9003	0.017 GA
MG1500Y02	PRIMER,347.29+347.29C ACTIVATOR WILKOPON	0.017 GA
10XF0440S02	04-40 X 1/8 TYPE F HEX HD STAINLESS STIC	2.000 EA
HW4032A01	BLACK DRAIN PLUG FOR WASH DOWN MOTORS	3.000 EA
HW4032A01	BLACK DRAIN PLUG FOR WASH DOWN MOTORS	3.000 EA
HA3101S25	THRUBOLT- 1/4-20 X 11.00 X	4.000 EA
LB1451	WARNING LABEL, CE WARNING SYMBOLS ONLY	1.000 EA
MN416A01	TAG-INSTAL-MAINT no wire (1200/bx) 11/14	1.000 EA
LC0194	CONNECTION LABEL	1.000 EA
NP1509	DC, WD, UL CE CSA, W/O THERMAL	1.000 EA
35PA1007	PKG GRP, PRINT PK1034A06	1.000 EA

DC Motor Performance Data

Record # 2081 - Typical performance - not guaranteed values

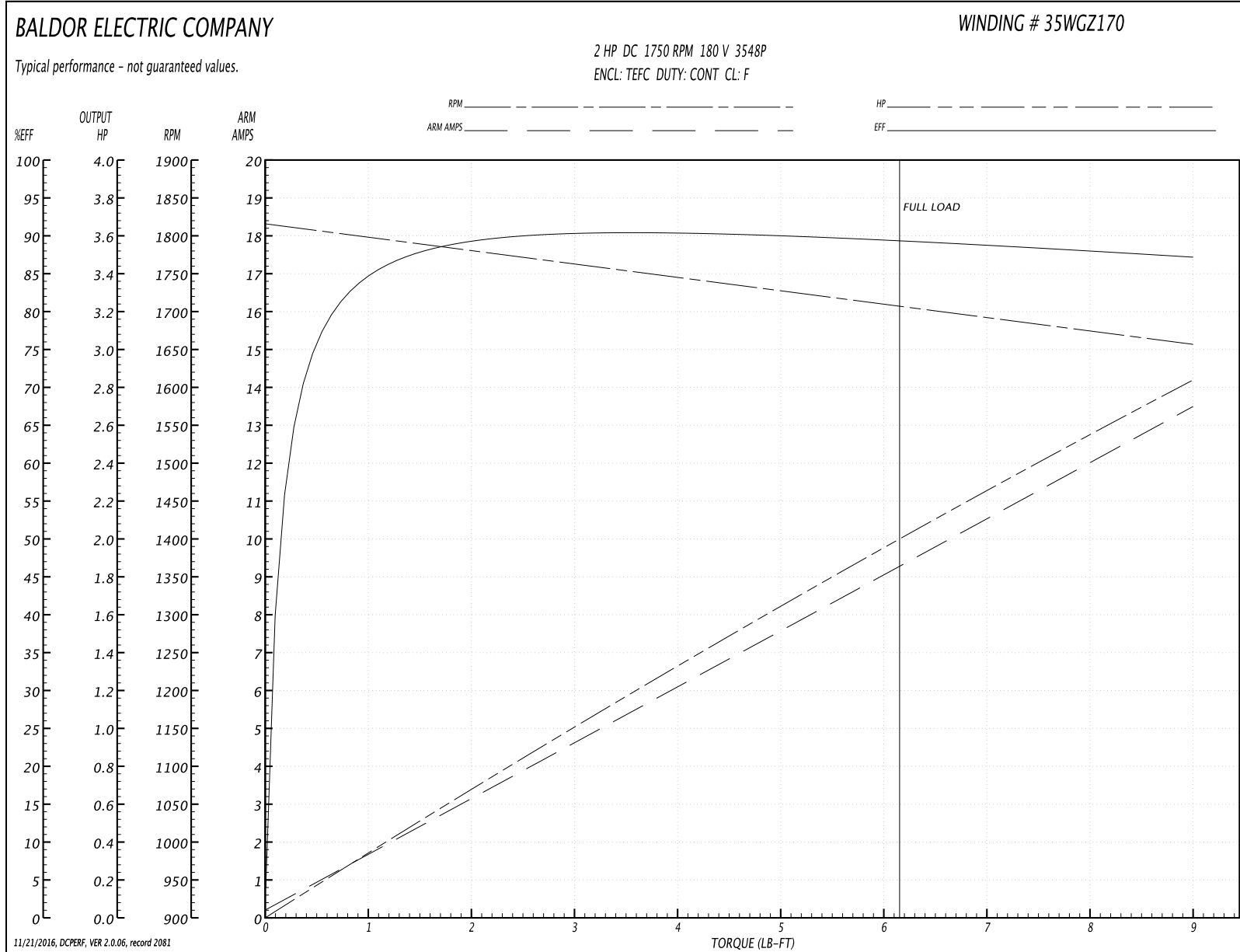
Winding: 35WGZ170-R001	Type: 3548P	Enclosure: TEFC
-------------------------------	--------------------	------------------------

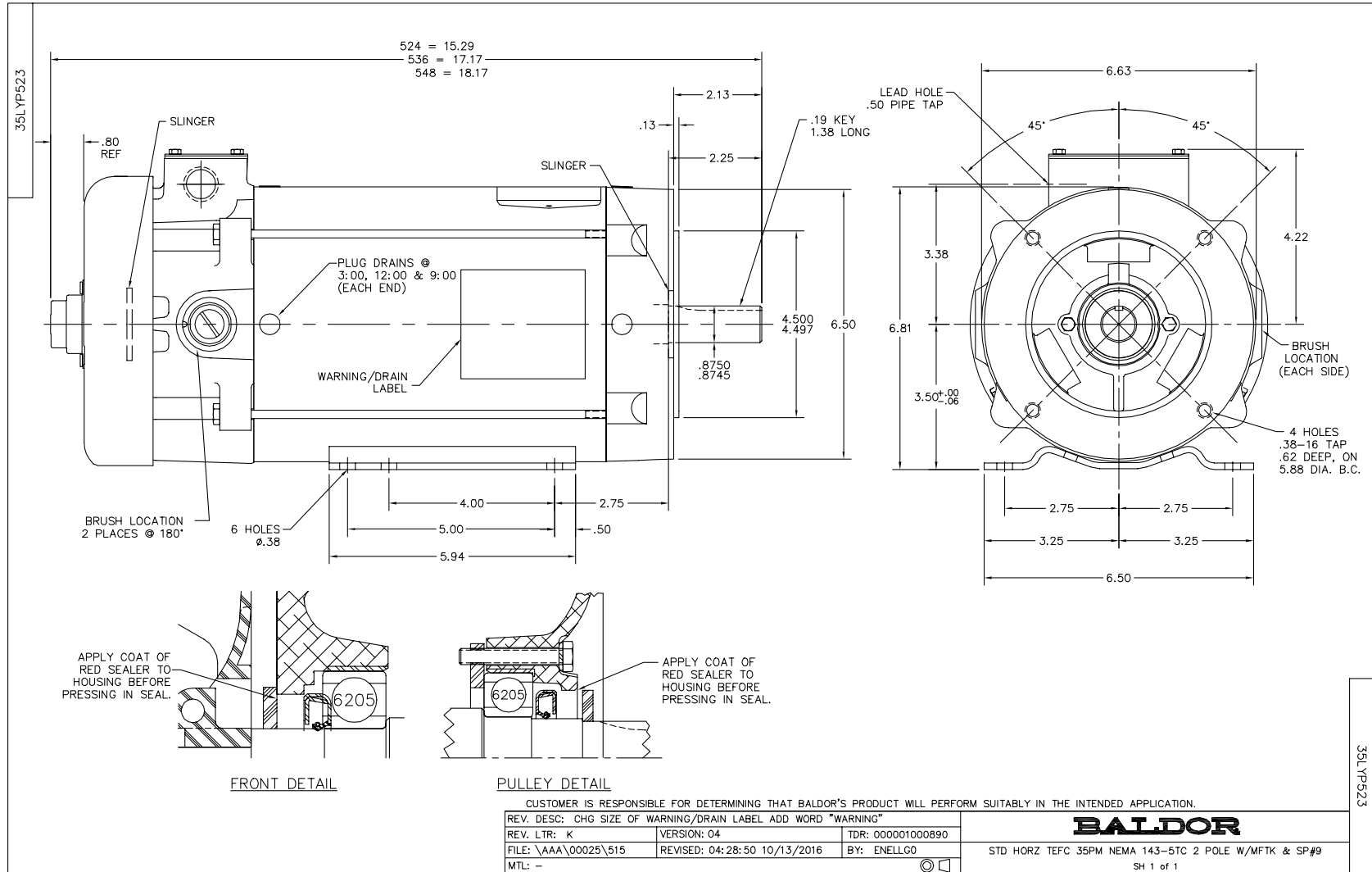
Nameplate Data		General Characteristics	
Rated Output (HP)	2	Armature Resistance @ 25°C	0.8093 Ω
R.P.M.	1750		
Armature Volts	180	Voltage Constant	98.25 v/krpm
Armature Amps	9.6		
Field Volts		Armature Inductance	11.508 mH
Field Amps		Armature Inertia	40.456 LI ²
Rating - Duty	40C AMB-CONT		
Power Supply Code	K		

Load Characteristics at 180 Armature Volts

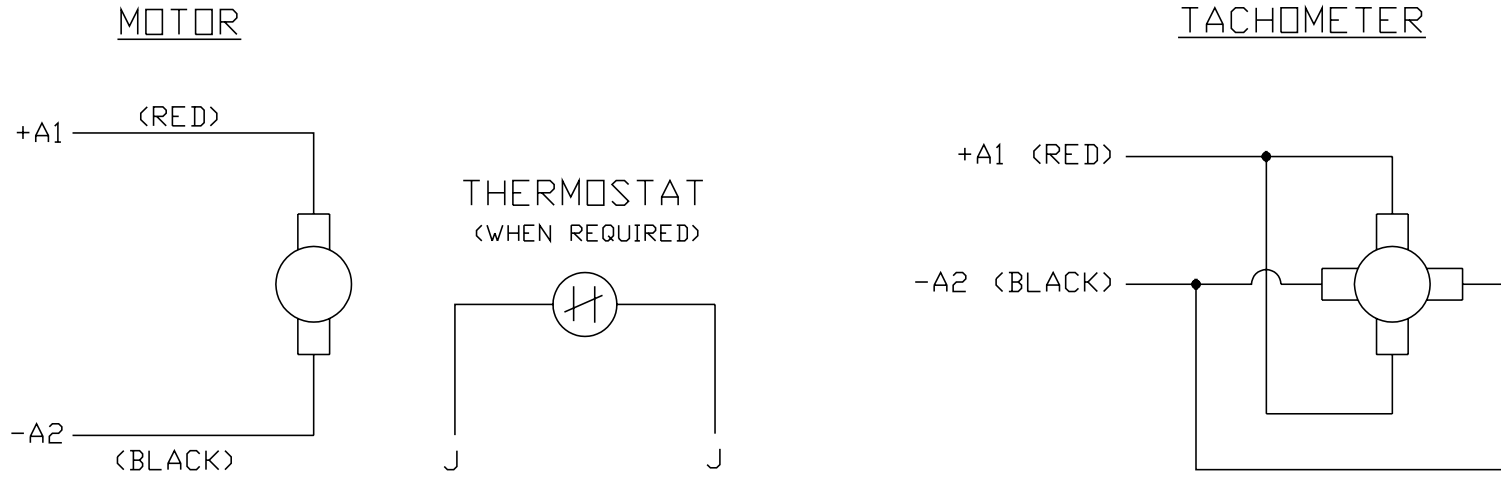
Load Point	1	2	3	4	5	6	7
Armature Amps	0.2	2.4	4.7	6.8	9	11.3	13.5
R.P.M.	1806	1796	1770	1741	1707	1671	1663
Torque (LB-FT)	0	1.5	3	4.5	6	7.5	9

Performance Graph at 180.0 Arm V, 2.0HP Typical performance - Not guaranteed values





CD0194



NOTES:

1. CCW ROTATION AS SHOWN FACING COMMUTATOR END. TO REVERSE MOTOR ROTATION OR TACHOMETER OUTPUT POLARITY INTERCHANGE LEADS A1(RED) & A2(BLACK)
2. LEAD COLORS FOR REFERENCE ONLY & NOT SPECIFIED BY THIS DRAWING. LEAD COLORS SPECIFIED BY LAYOUT DRAWING & BILL OF MATERIAL ONLY.

MATL: -			
REV: E	ADDED NOTE "LEAD COLORS FOR REFERENCE ONLY &..."		
CD0194	SCALE: -	BY: CK	REVISED: 07/28/95
	FILE: AAA00004503	TDR: 0078737	

BALDOR ELECTRIC Co.

CD TYPE P DC PERMANENT MAGNET MOTORS AND TACHOMETERS

CD0194