

BALDOR® • RELIANCE

Product Information Packet

CDPX3410

.25HP, 1750RPM, DC, 56C, X3413P, XPFC, F1

| Part Detail | | | | | | | |
|-------------|------|-------------|-------|----------------|----------|---------------|------------|
| Revision: | AB | Status: | PRD/A | Change #: | | Proprietary: | No |
| Type: | DC | Prod. Type: | | Elec. Spec: | 34WG3673 | CD Diagram: | CD0194 |
| Enclosure: | XPFC | Mfg Plant: | | Mech. Spec: | 34-6519 | Layout: | 34LY6519 |
| Frame: | 56C | Mounting: | F1 | Poles: | /// | Created Date: | |
| Base: | RG | Rotation: | R | Insulation: | F | Eff. Date: | 07-06-2016 |
| Field Type: | | Literature: | | Elec. Diagram: | | Replaced By: | |

| Nameplate NP0727XPSL | |
|----------------------|----------------|
| NO. | |
| SER. | |
| SPEC. | 34-6519-3673G1 |
| CAT.NO. | CDPX3410 |
| HP | .25 |
| RPM | 1750 |
| FRAME | 56C |
| ARM V | 90 |
| FLD V | |
| INSUL | F |
| DUTY | CONT |
| BRG/DE | 6203 |
| BRUSHES | 2/BP5011CV01 |
| BLANK | |
| | T. CODE T3C |
| | ENCL XPFC |
| | TYPE 3413P |
| | ARM A 2.7 |
| | FLD A |
| | AMB. 40 |
| | SUPPLY 1.5 |
| | BRG/ODE 6203 |

| Parts List | | |
|---------------|--|----------|
| Part Number | Description | Quantity |
| SA005404 | SA 34-6519-3673G1 | 1.000 EA |
| AA003053 | AA 34-6519-3673G1 | 1.000 EA |
| BP5011CV01SP | CARBON BRUSH - 33P, 180V | 1.000 EA |
| BP5012A04SP | BRUSH SPRING FOR DC MOTORS | 1.000 EA |
| MJ5000A01 | SEALANT, CHICO A COMPOUND | 0.050 LB |
| 11XW1032G06 | 10-32 X .38, TAPTITE II, HEX WSHR SLTD U | 1.000 EA |
| HW3001B01 | BRASS CUP WASHER, FOR #8 SCREW | 1.000 EA |
| 35CB3001A01SP | EXPL CONDUIT BOX, MACH, 1/2" PIPE TAP LE | 1.000 EA |
| 51XW0832A07 | 8-32 X .44, TAPTITE II, HEX WSHR SLTD SE | 4.000 EA |
| 34EP2700A01 | SPL FR.E.P. X34DC | 1.000 EA |
| HW4030A01 | 1-1/2" N.P.T. PIPE PLUG W/SQ.HEAD | 2.000 EA |
| HW3021E06 | 1/8 DIA X 5/8 ROLLPIN (F/S) | 1.000 EA |
| HW4002A02 | 1-11.5X2LG PIPE NIPPLE (F/S) | 1.000 EA |
| HW5100A03SP | WAVY WASHER (W1543-017) | 1.000 EA |
| 34EP3705A01SP | PU ENDPLATE, MACH | 1.000 EA |
| 34FN3002A01SP | EXTERNAL FAN, PLASTIC, .637/.639 HUB W/ | 1.000 EA |
| 34FH4002A01SP | IEC FH NO GREASER PRIMED | 1.000 EA |
| 51XW1032A06 | 10-32 X .38, TAPTITE II, HEX WSHR SLTD S | 3.000 EA |
| 35CB3500A01SP | CONDUIT BOX LID, MACH | 1.000 EA |
| 51XN2520A16 | SCREW, HEX WS SLT, ZN, 1/4-20 X 1.00 | 4.000 EA |
| HW2501D13 | KEY, 3/16 SQ X 1.375 | 1.000 EA |
| HA7000A04 | KEY RETAINER 0.625 DIA SHAFTS | 1.000 EA |
| NP0018W | ALUM UL XP CONDUIT BOX NAMEPLATE | 1.000 EA |
| HW1025A10 | #10 BALANCE WASHER (SPL) | 2.000 EA |

| Parts List (continued) | | |
|-------------------------------|--|-----------------|
| Part Number | Description | Quantity |
| MG1025G29 | WILKOFASST, 789.229, DARK CHARCOAL GRAY | 0.014 GA |
| NP0731 | NAMEPLATE, CAUTION FOR DC EXPLOSION PROO | 1.000 EA |
| 85XU0407S04 | 4X1/4 U DRIVE PIN STAINLESS | 6.000 EA |
| ML14A1B14 | 14 AWG,A1,BLACK | 8.500 IN |
| ML14A2B14 | 14 AWG,A2,BLACK | 8.500 IN |
| 34RK5004 | ROCKERARM ASSY 34PM W/TP1515A01 T'STAT | 1.000 EA |
| HA3104A01 | 5/16-18X 6.75 THRUBOLT X | 4.000 EA |
| MN416A01 | TAG-INSTAL-MAINT no wire (1200/bx) 11/14 | 1.000 EA |
| LB1119N | WARNING LABEL | 1.000 EA |
| LB1161 | LABEL,THERMOSTAT (ROLL LABEL) | 1.000 EA |
| LC0194 | CONNECTION LABEL | 1.000 EA |
| NP0727XPSL | SS XP DC UL CSA CC CL-I GP-D CL-II GP-F& | 1.000 EA |
| 35PA1007 | PKG GRP, PRINT PK1034A06 | 1.000 EA |

DC Motor Performance Data

Record # 1427 - Typical performance - not guaranteed values

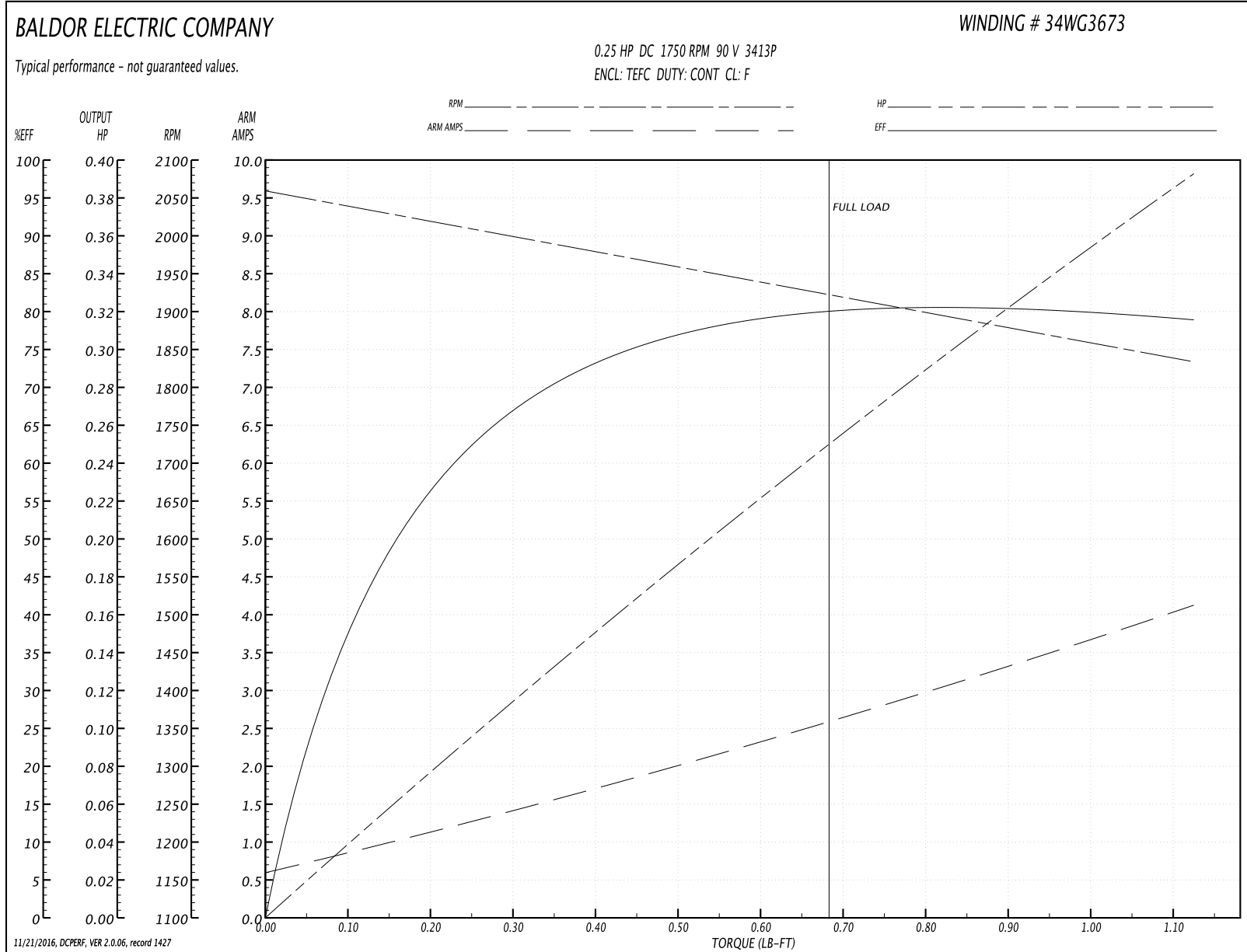
| | | |
|-------------------------------|--------------------|------------------------|
| Winding: 34WG3673-R006 | Type: 3413P | Enclosure: TEFC |
|-------------------------------|--------------------|------------------------|

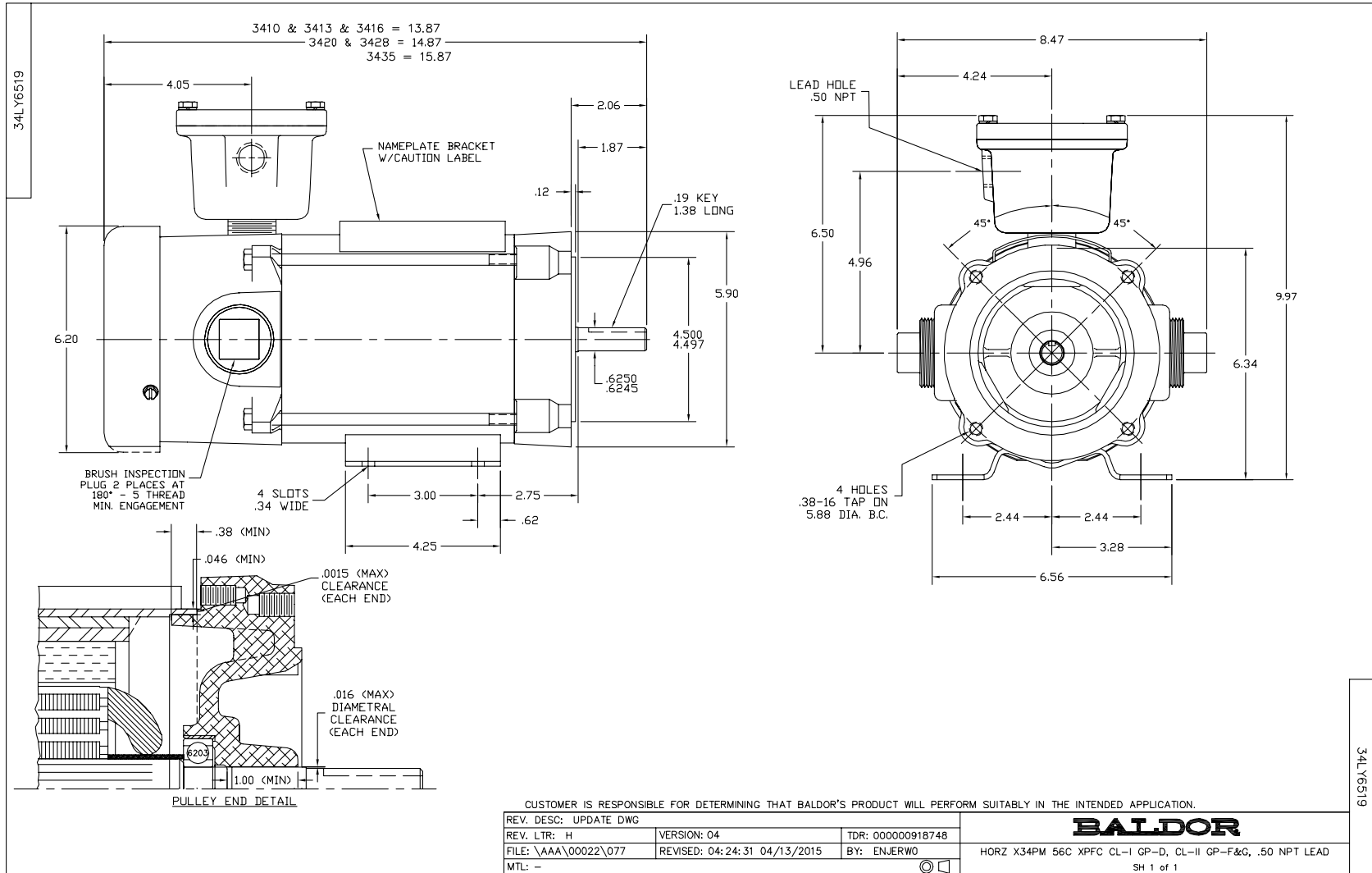
| Nameplate Data | | General Characteristics | |
|-------------------|--------------|----------------------------|------------------------|
| Rated Output (HP) | 0.25 | Armature Resistance @ 25°C | 1.941 Ω |
| R.P.M. | 1750 | | |
| Armature Volts | 90 | Voltage Constant | 41.87 v/krpm |
| Armature Amps | 2.7 | | |
| Field Volts | | Armature Inductance | 16.343 mH |
| Field Amps | | Armature Inertia | 5.0726 LI ² |
| Rating - Duty | 40C AMB-CONT | | |
| Form Factor | 1.5 | | |
| | | | |

Load Characteristics at 90 Armature Volts

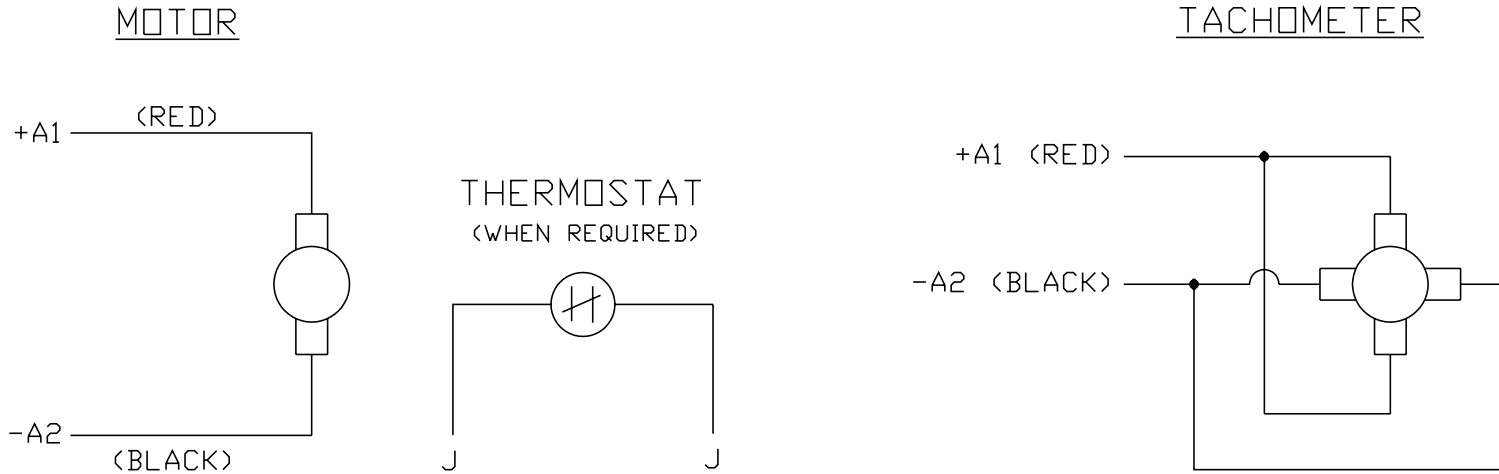
| Load Point | 1 | 2 | 3 | 4 | 5 | 6 | 7 |
|------------------|------|-------|-------|-------|------|-------|-------|
| Armature Amps | 0.58 | 1.14 | 1.62 | 2.17 | 2.83 | 3.46 | 4.12 |
| R.P.M. | 2046 | 2020 | 1997 | 1958 | 1913 | 1863 | 1828 |
| Torque (LB-FT) | 0 | 0.188 | 0.375 | 0.563 | 0.75 | 0.938 | 1.125 |

Performance Graph at 90.0 Arm V, 0.25HP Typical performance - Not guaranteed values





CD0194



NOTES:

1. CCW ROTATION AS SHOWN FACING COMMUTATOR END. TO REVERSE MOTOR ROTATION OR TACHOMETER OUTPUT POLARITY INTERCHANGE LEADS A1(RED) & A2(BLACK)
2. LEAD COLORS FOR REFERENCE ONLY & NOT SPECIFIED BY THIS DRAWING. LEAD COLORS SPECIFIED BY LAYOUT DRAWING & BILL OF MATERIAL ONLY.

| | | | |
|---------|---|--|--------------|
| MATL: - | | | |
| REV: | E | ADDED NOTE "LEAD COLORS FOR REFERENCE ONLY &..." | |
| #61000 | | SCALE: - | BY: CK |
| CD0194 | | REVISED: 07/28/95 | TDR: 0078737 |
| | | FILE: AAA00004503 | |

BALDOR ELECTRIC Co.

CD TYPE P DC PERMANENT MAGNET MOTORS AND TACHOMETERS

CD0194