

BALDOR® • **RELIANCE**

Product Information Packet

CEM31155

2HP,3450RPM,3PH,60HZ,56C,3524M,OPEN,F1,N

| Part Detail | | | | | | | |
|-------------|------|----------------|-------|-------------|----------|---------------|------------|
| Revision: | B | Status: | PRD/A | Change #: | | Proprietary: | No |
| Type: | AC | Prod. Type: | 3524M | Elec. Spec: | 35WGS254 | CD Diagram: | CD0005 |
| Enclosure: | OPEN | Mfg Plant: | | Mech. Spec: | 35Z564 | Layout: | 35LYZ564 |
| Frame: | 56C | Mounting: | F1 | Poles: | 02 | Created Date: | 09-30-2014 |
| Base: | RG | Rotation: | R | Insulation: | B | Eff. Date: | 05-31-2016 |
| Leads: | 9#18 | | | | | Replaced By: | |
| Literature: | | Elec. Diagram: | | | | | |

| Nameplate NP3155L | | | | | | | | | | |
|-------------------|--------------|--|------|----|-----|------|--|----------------|-----|---|
| CAT.NO. | CEM31155 | | | | | | | | | |
| SPEC. | 35Z564S254G1 | | | | | | | | | |
| HP | 2 | | | | | | | | | |
| VOLTS | 230/460 | | | | | | | | | |
| AMP | 5.2/2.6 | | | | | | | | | |
| RPM | 3450 | | | | | | | | | |
| FRAME | 56C | | | | HZ | 60 | | | PH | 3 |
| SER.F. | 1.15 | | CODE | K | DES | B | | CL | B | |
| F.L. AVG. EFF. | 85.5 | | PF | 85 | | | | | | |
| RATING | 40C AMB-CONT | | | | | | | | | |
| CC | | | | | | | | USABLE AT 208V | 5.6 | |
| DE | 6205 | | | | ODE | 6203 | | | | |
| ENCL | OPEN | | SN | | | | | | | |

| Parts List | | |
|----------------|--|----------|
| Part Number | Description | Quantity |
| SA287698 | SA 35Z564S254G1 | 1.000 EA |
| RA273906 | RA 35Z564S254G1 | 1.000 EA |
| S/P107-000-001 | SUPER E PROC'S-FS, WS & CK PLTS | 1.000 EA |
| NS2512A01 | INSULATOR, CONDUIT BOX X | 1.000 EA |
| 35CB3007 | 35 CB CASTING W/.88 DIA. LEAD HOLE | 1.000 EA |
| 51XB1016A07 | 10-16 X 7/16 HXWSSLD SERTYB | 2.000 EA |
| 11XW1032G06 | 10-32 X .38, TAPTITE II, HEX WSHR SLTD U | 1.000 EA |
| 35EP3201A03 | STD FR EP OPEN-203BRG-35L OR M FRAME--LE | 1.000 EA |
| HW5100A03SP | WAVY WASHER (W1543-017) | 1.000 EA |
| 51XN1032A20 | 10-32 X 1 1/4 HX WS SL SR | 2.000 EA |
| 35EP3400A13 | STD FACE MTD END PLATE OPEN NEMA 56C 05 | 1.000 EA |
| 35AD2000 | AIR BAFFLE | 1.000 EA |
| 60XW0632A06 | 6-32 X 3/8 TORX HEAD SCREW TAPTITE II | 4.000 EA |
| 35CB4521 | 35 LIPPED CB LID (GALV & PHOSPH) | 1.000 EA |
| 51XW0832A07 | 8-32 X .44, TAPTITE II, HEX WSHR SLTD SE | 4.000 EA |
| HW2501D13 | KEY, 3/16 SQ X 1.375 | 1.000 EA |
| HA7000A04 | KEY RETAINER 0.625 DIA SHAFTS | 1.000 EA |
| 85XU0407S04 | 4X1/4 U DRIVE PIN STAINLESS | 2.000 EA |
| MJ1000A02 | GREASE, POLYREX EM EXXON (USe 4824-15A) | 0.050 LB |
| MG1000Y03 | MUNSELL 2.53Y 6.70/ 4.60, GLOSS 20, | 0.017 GA |
| HA3100A15 | THRUBOLT 10-32 X 8.375 | 4.000 EA |
| LC0005E01 | CONN.DIA./WARNING LABEL (LC0005/LB1119N) | 1.000 EA |
| MN416A01 | TAG-INSTAL-MAINT no wire (1200/bx) 11/14 | 1.000 EA |
| NP3155L | ALUM SUPER-E UL CSA CC "SEMS" | 1.000 EA |

| Parts List (continued) | | |
|------------------------|--------------------------|----------|
| Part Number | Description | Quantity |
| 35PA1000 | PKG GRP, PRINT PK1008A06 | 1.000 EA |

AC Induction Motor Performance Data

Record # 57223 - Typical performance - not guaranteed values

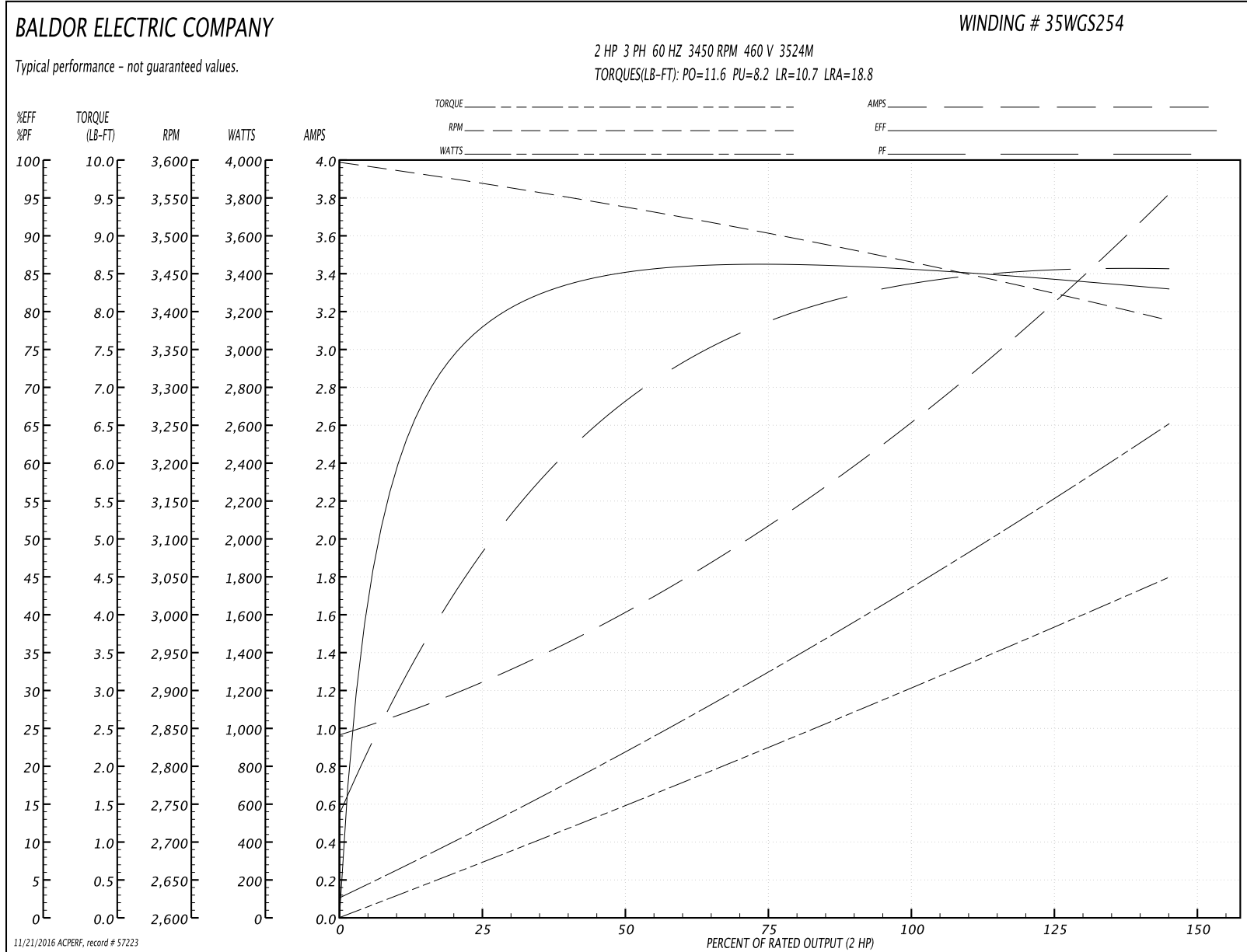
| | | |
|-------------------------------|--------------------|------------------------|
| Winding: 35WGS254-R008 | Type: 3524M | Enclosure: OPEN |
|-------------------------------|--------------------|------------------------|

| Nameplate Data | | | | 460 V, 60 Hz: High Voltage Connection | |
|-----------------------|--------------|--------------|----|--|---------------------------|
| Rated Output (HP) | 2 | | | Full Load Torque | 3 LB-FT |
| Volts | 230/460 | | | Start Configuration | direct on line |
| Full Load Amps | 5.2/2.6 | | | Breakdown Torque | 11.6 LB-FT |
| R.P.M. | 3450 | | | Pull-up Torque | 8.2 LB-FT |
| Hz | 60 | Phase | 3 | Locked-rotor Torque | 10.7 LB-FT |
| NEMA Design Code | B | KVA Code | K | Starting Current | 18.8 A |
| Service Factor (S.F.) | 1.15 | | | No-load Current | 1 A |
| NEMA Nom. Eff. | 85.5 | Power Factor | 85 | Line-line Res. @ 25°C | 8.08 Ω |
| Rating - Duty | 40C AMB-CONT | | | Temp. Rise @ Rated Load | 36°C |
| S.F. Amps | | | | Temp. Rise @ S.F. Load | 43°C |
| | | | | Locked-rotor Power Factor | 53.6 |
| | | | | Rotor inertia | 0.0657 LB-FT ² |

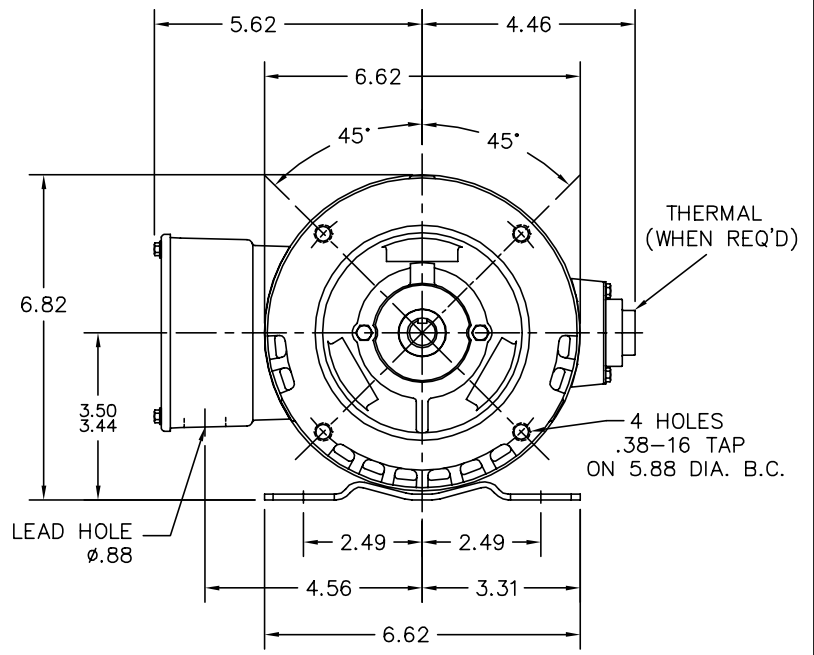
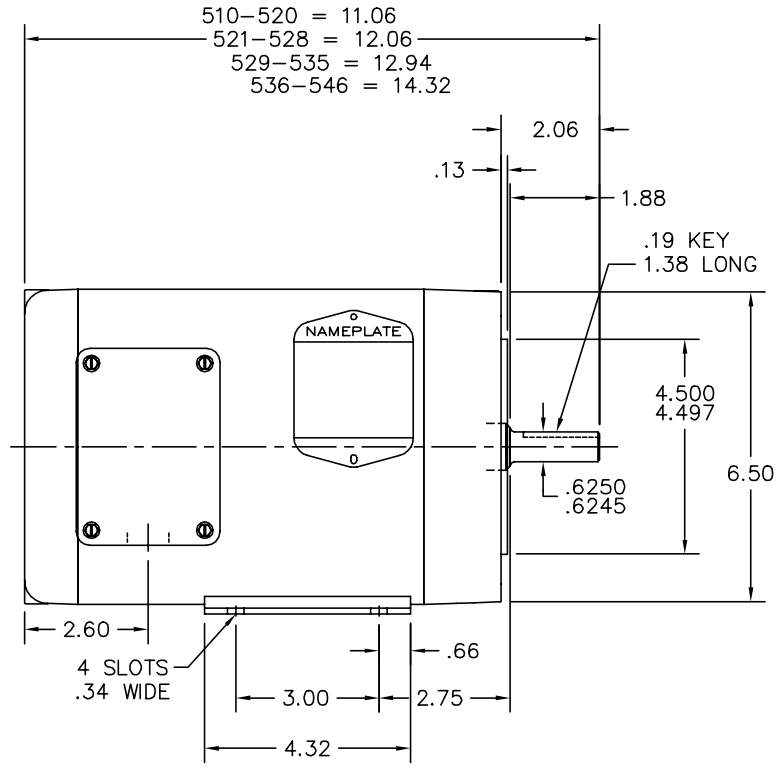
Load Characteristics 460 V, 60 Hz, 2 HP

| % of Rated Load | 25 | 50 | 75 | 100 | 125 | 150 | S.F. |
|-----------------|------|------|------|------|------|------|------|
| Power Factor | 54 | 73 | 82 | 86 | 88 | 88 | 87 |
| Efficiency | 78.2 | 84.9 | 86.2 | 85.8 | 84.5 | 82.9 | 85 |
| Speed | 3566 | 3536 | 3504 | 3469 | 3429 | 3387 | 3445 |
| Line amperes | 1.2 | 1.6 | 2.1 | 2.6 | 3.2 | 3.8 | 3 |

Performance Graph at 460V, 60Hz, 2.0HP Typical performance - Not guaranteed values



35LYZ564



CUSTOMER IS RESPONSIBLE FOR DETERMINING THAT BALDOR'S PRODUCT WILL PERFORM SUITABLY IN THE INTENDED APPLICATION.

| | | | |
|----------------------|-------------|-----------------------------|--|
| REV. DESC: NEW | | TDR: 000000592350 | |
| REV. LTR: - | VERSION: 00 | REVISD: 01:06:42 04/29/2011 | |
| FILE: \AAA\00181\870 | | BY: ENROSTO | |
| MTL: - | | | |

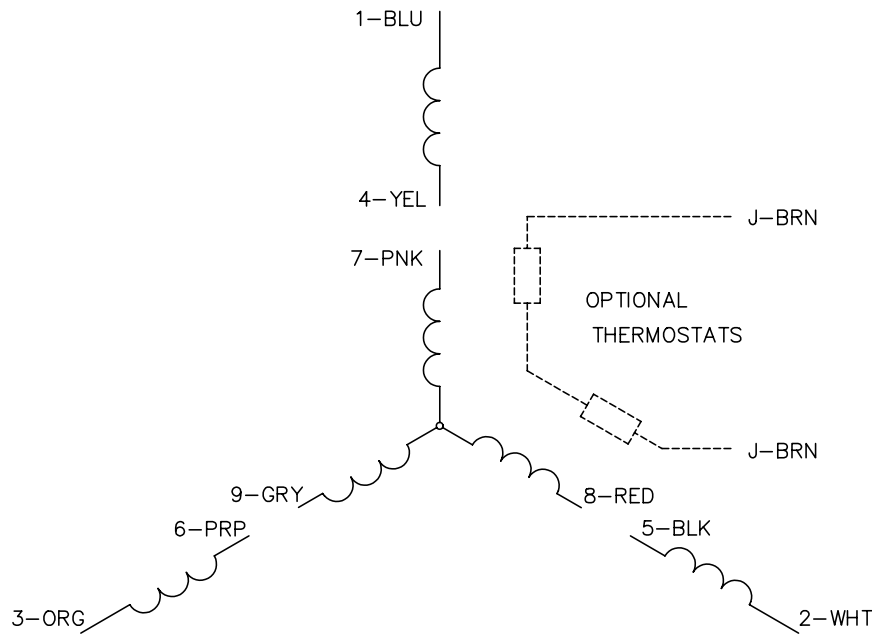
BALDOR • DODGE • RELIANCE

STD HOR 56C OPEN 35M 2 POLE "W" BASE 35BA4010

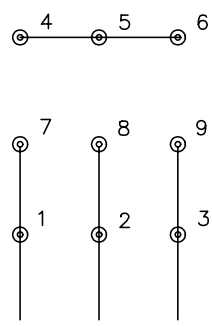
SH 1 of 1

35LYZ564

CD0005

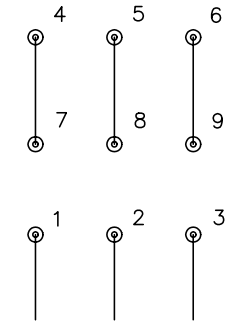


LOW VOLTAGE (2Y)



LINE

HIGH VOLTAGE (1Y)



LINE

NOTES:

1. INTERCHANGE ANY TWO LINE LEADS TO REVERSE ROTATION.
2. OPTIONAL THERMOSTATS ARE PROVIDED WHEN SPECIFIED.
3. ACTUAL NUMBER OF INTERNAL PARALLEL CIRCUITS MAY BE A MULTIPLE OF THOSE SHOWN ABOVE.
4. LEAD COLORS ARE OPTIONAL. LEADS MUST ALWAYS BE NUMBERED AS SHOWN.

| | | | |
|---|---------|-------------------------|--------------|
| REV. DESC: REVISE TO SHOW OPTIONAL COLORS | | | |
| REV. LTR: E | BY: JLP | REVISED: 01/19/99 10:15 | TDR: 0171435 |
| 9000D | | FILE: AAA00005140 | MDL: - |
| | | MTL: - | |

BALDOR ELECTRIC Co.

3PH, DV, 9 LEADS

CD0005