

# **BALDOR**® • ***RELIANCE***

## **Product Information Packet**

# **CEM7063T-I-5**

**25HP,3520RPM,3PH,60HZ,284TSC,1048M,XPFC**

Part Detail							
Revision:	G	Status:	PRD/A	Change #:		Proprietary:	No
Type:	AC	Prod. Type:	1048M	Elec. Spec:	10WGZ277	CD Diagram:	CD0006
Enclosure:	XPFC	Mfg Plant:		Mech. Spec:	10G898	Layout:	10LYG898
Frame:	284TSC	Mounting:	F1	Poles:	02	Created Date:	05-14-2014
Base:	RG	Rotation:	R	Insulation:	F	Eff. Date:	12-15-2015
Leads:	3#10					Replaced By:	
Literature:		Elec. Diagram:					

Nameplate NP0977XPSLEV											
NO.							CC	010A			
SER.							TEMP CODE	T3C			
SPEC.	10G898Z277G1										
CAT.NO.	CEM7063T-I-5										
HP	25 NEMA MG-1 PT.5,IP55										
VOLTS	575										
AMPS	23										
RPM	3520						MOTOR WEIGHT	525			
HERTZ	60			PH	3	CL	F	DE BRG	6311		
SER.F.	1.15			DES	B	CODE	F	ODE BRG	6309		
FRAME	284TSC			GREASE	POLYREX EM						
RATING	40C AMB-CONT										
USABLE AT 208V							NEMA-NOM-EFF	91.7		PF	90
	55C AMB @ 1.0 SF,60C RISE										

Parts List		
Part Number	Description	Quantity
SA281119	SA 10G898Z277G1	1.000 EA
RA267619	RA 10G898Z277G1	1.000 EA
37FN3002C03	EXFN, PLASTIC, 6.00 OD, 1.690 ID	1.000 EA
12CB1003A02	CONDUIT BOX MACH. GROUP C MTRS	1.000 EA
10XN3118K24	5/16-18 X 1.50" HEX HD, GRADE 5	4.000 EA
HW1001A31	LOCKWASHER 5/16, ZINC PLT.591 OD, .319 I	4.000 EA
WD1000B19	TERMINAL BURNDY L250HP	1.000 EA
10XN3816K12	3/8-16 X 3/4 HEX HD CAP GRADE 5	1.000 EA
HW1001A38	LOCKWASHER 3/8, ZINC PLT .688 OD, .382 I	1.000 EA
10EP1701A25P	FR ENDPLATE, MACH W/PRIMER	1.000 EA
HW3023E06	.125 X .625 SPIRAL SPRING PIN	1.000 EA
HA3050A03	3/8-16 X 2.25" GRADE 8 BOLT	4.000 EA
HW1001A38	LOCKWASHER 3/8, ZINC PLT .688 OD, .382 I	4.000 EA
HW5100A11	W3917-042 WVY WSHR (WB)	1.000 EA
10XN2520K40	1/4-20 X 2-1/2 HEX HD CAPSCREW, GRADE 5,Z	4.000 EA
HW1001A25	LOCKWASHER 1/4, ZINC PLT .493 OD, .255 I	4.000 EA
10EP1710A09P	FACE MTD. EP MACH XPFC W/HW4505A02 W/PRI	1.000 EA
HW3023E06	.125 X .625 SPIRAL SPRING PIN	1.000 EA
HA3050A03	3/8-16 X 2.25" GRADE 8 BOLT	4.000 EA
HW1001A38	LOCKWASHER 3/8, ZINC PLT .688 OD, .382 I	4.000 EA
HA2067A01	ALUM SLINGER (AUTO)	1.000 EA
80XN1032A06	10-32 X 3/8 SET SC HEX SOCK	2.000 EA
10FH1008A01	310 FAN HOUSING X-PROOF MACH.	1.000 EA
10XN3118K12	5/16-18 X .75 GRADE 5, ZINC PLATED	3.000 EA

<b>Parts List (continued)</b>		
<b>Part Number</b>	<b>Description</b>	<b>Quantity</b>
12CB1502A01	CONDUIT BOX LID MACH. GROUP C MTRS	1.000 EA
84XN5013J32	SOCKET HD.CAP SCR,1/2-13 X 2"LG,ALLOY ST	10.000 EA
HW1001A50	LOCKWASHER 1/2, ZINC PLT.,.879 OD, .509 I	10.000 EA
HW2501G17	KEY, 3/8 SQ X 1.875	1.000 EA
LB1115N	LABEL,LIFTING DEVICE (ON ROLLS)	1.000 EA
LB1081C	ALUM XP CAUTION LABEL (COL PLANT ONLY-	1.000 EA
WD4100A03	DE-750 HEYCO PLUG 62MP0750 MICRO PLASTIC	1.000 EA
HW4500A20	1/8NPT SL PIPE PLUG	2.000 EA
HW4505A02	BREATHER/DRAIN-EXP PROOF-.250-18 PTF AIS	1.000 EA
MJ1000A02	GREASE, POLYREX EM EXXON (USe 4824-15A)	0.130 LB
HW4500A20	1/8NPT SL PIPE PLUG	2.000 EA
HW4505A02	BREATHER/DRAIN-EXP PROOF-.250-18 PTF AIS	1.000 EA
HW2500A25	WOODRUFF KEY USA #1008 #BLOW CARBON STEE	1.000 EA
51XB1214A20	12-14X1.25 HXWSSLD SERTYB	1.000 EA
MG1025G05	WILKOFASST, 789.227, MED. GRAY CHAR. MET.	0.070 GA
85XU0407S04	4X1/4 U DRIVE PIN STAINLESS	6.000 EA
LB1119N	WARNING LABEL	1.000 EA
LC0006	CONNECTION LABEL	1.000 EA
NP0977XPSLEV	SS XP UL CSA-EEV CC CL-I GP-C&D	1.000 EA
12PA1000	PACKAGING GROUP PRINT PK1024A06	1.000 EA
MN416A01	TAG-INSTAL-MAINT no wire (1200/bx) 11/14	1.000 EA

**AC Induction Motor Performance Data**

Record # 45929 - Typical performance - not guaranteed values

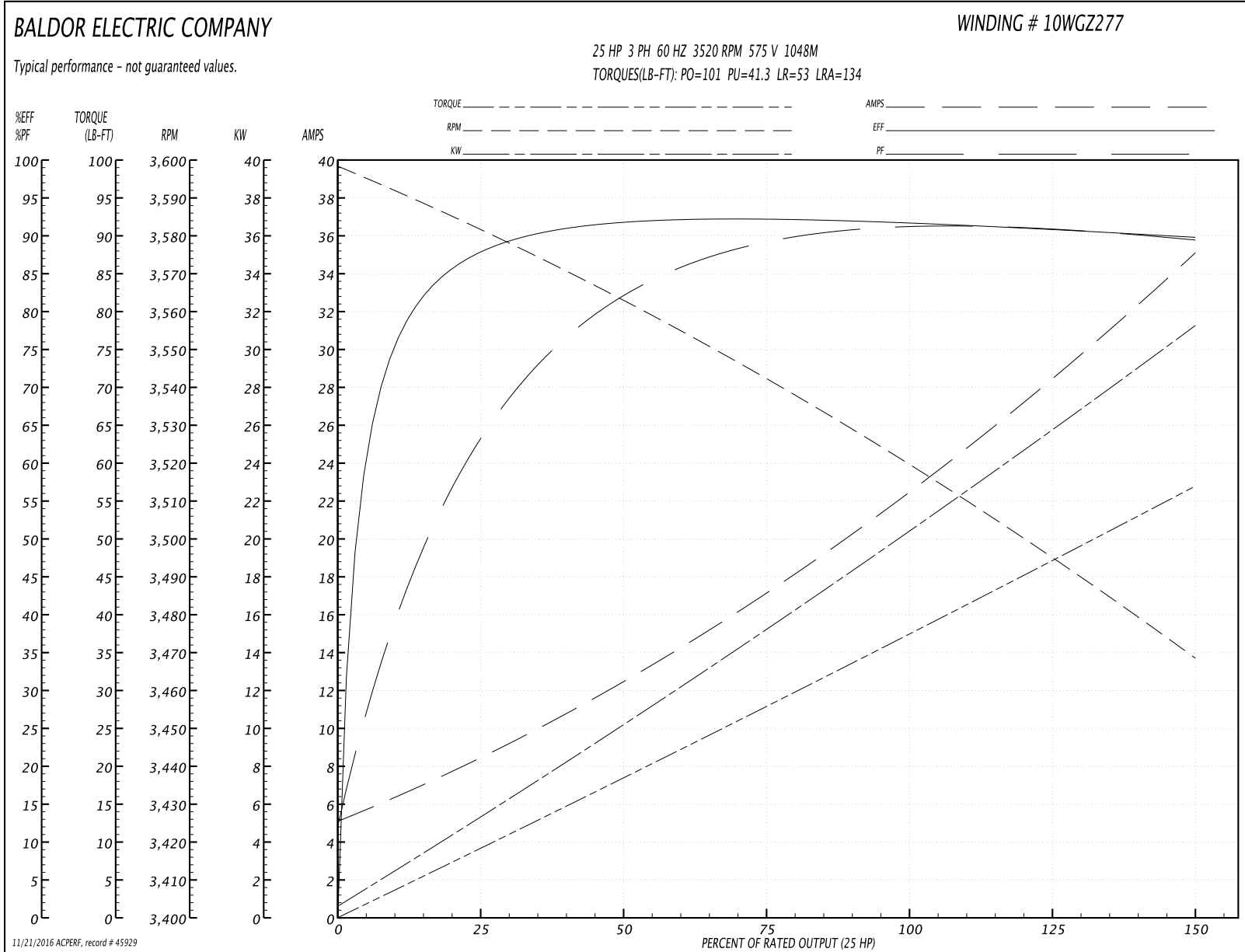
<b>Winding:</b> 10WGZ277-R002	<b>Type:</b> 1048M	<b>Enclosure:</b> XPFC
-------------------------------	--------------------	------------------------

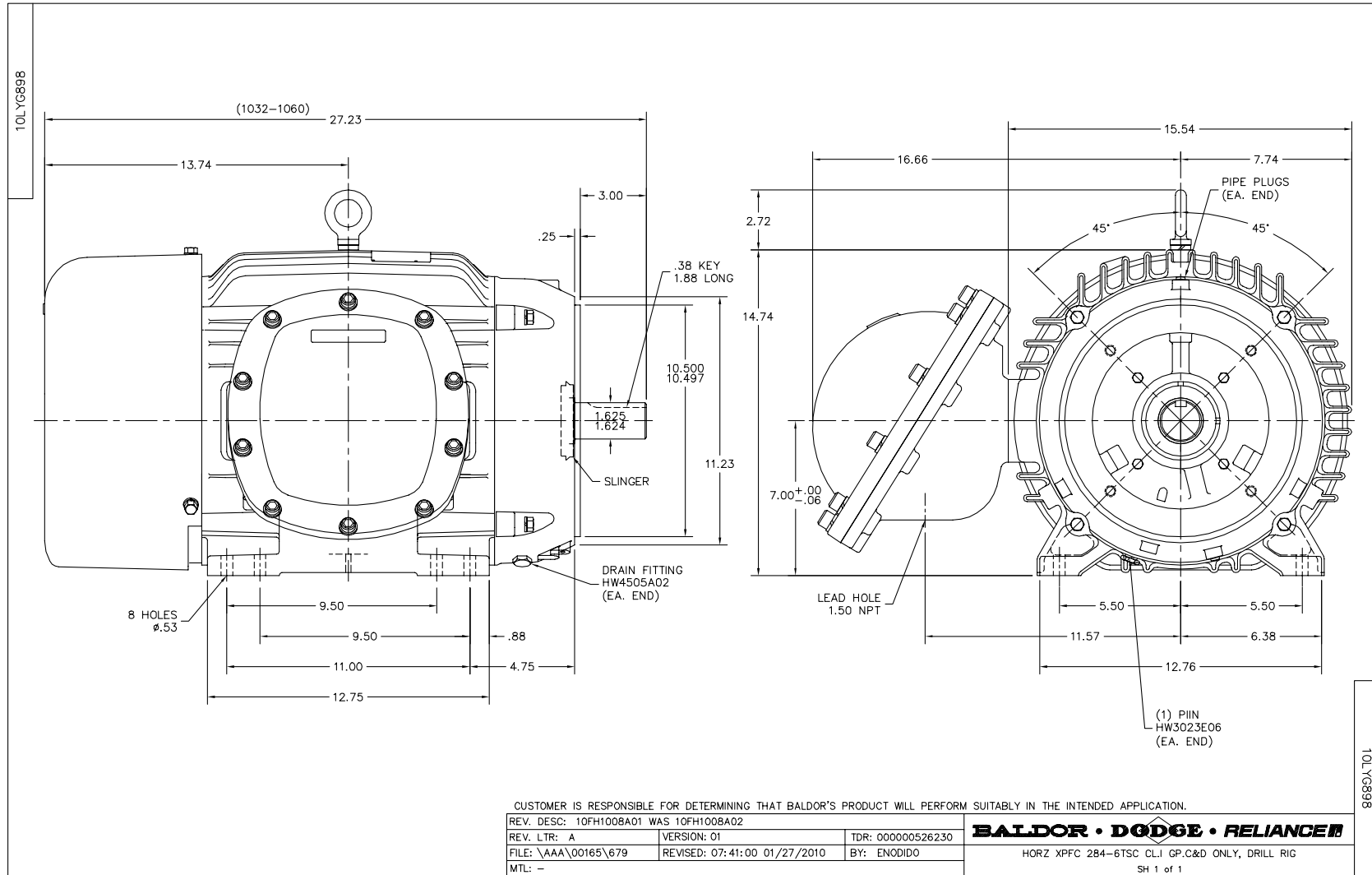
Nameplate Data				575 V, 60 Hz: Single Voltage Motor	
Rated Output (HP)	25			Full Load Torque	37.4 LB-FT
Volts	575			Start Configuration	direct on line
Full Load Amps	23			Breakdown Torque	101 LB-FT
R.P.M.	3520			Pull-up Torque	41.3 LB-FT
Hz	60	Phase	3	Locked-rotor Torque	53 LB-FT
NEMA Design Code	B	KVA Code	F	Starting Current	134 A
Service Factor (S.F.)	1.15			No-load Current	5.48 A
NEMA Nom. Eff.	91.7	Power Factor	90	Line-line Res. @ 25°C	0.46 Ω
Rating - Duty	40C AMB-CONT			Temp. Rise @ Rated Load	57°C
S.F. Amps				Temp. Rise @ S.F. Load	71°C
				Locked-rotor Power Factor	23
				Rotor inertia	2.06 LB-FT <sup>2</sup>

Load Characteristics 575 V, 60 Hz, 25 HP

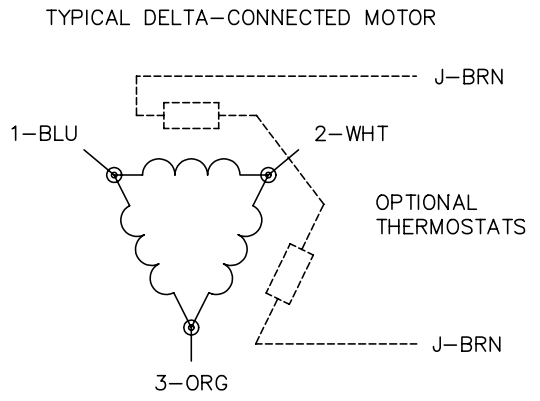
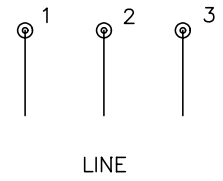
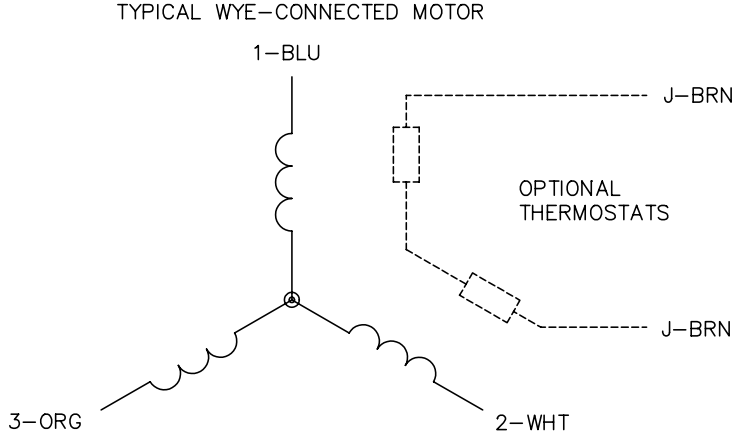
% of Rated Load	25	50	75	100	125	150	S.F.
Power Factor	69	83	88	90	90	90	90
Efficiency	87.9	91.6	92.3	91.8	91	89.8	91.3
Speed	3580	3563	3542	3520	3496	3468	3506
Line amperes	8.03	12.3	17.4	22.7	28.5	34.9	26.2

Performance Graph at 575V, 60Hz, 25.0HP Typical performance - Not guaranteed values





CD0006



- NOTES:
1. THREE LEAD MOTOR MAY BE EITHER WYE CONNECTED OR DELTA CONNECTED.
  2. INTERCHANGE ANY TWO LINE LEADS TO REVERSE ROTATION.
  3. OPTIONAL THERMOSTATS ARE PROVIDED WHEN SPECIFIED.
  4. ACTUAL NUMBER OF INTERNAL PARALLEL CIRCUITS MAY VARY.
  5. LEAD COLORS ARE OPTIONAL. LEADS MUST BE NUMBERED AS SHOWN.

REV. DESC: REVISE TO SHOW OPTIONAL COLORS			
REV. LTR: D	BY: JLP	REVISED: 01/21/99 4:02	TDR: 0171435
9000D		FILE: AAA00005141	MDL: -
		MTL: -	

**BALDOR ELECTRIC Co.**

3PH, SV, 3 LEADS, WYE OR DELTA CONNECTED

CD0006