

# **BALDOR**® • ***RELIANCE***

## **Product Information Packet**

### **CM3538-8**

**.5HP, 1725RPM, 3PH, 60HZ, 56C, 3416M, TEFC, F1**

| Part Detail |      |                |       |             |          |               |            |
|-------------|------|----------------|-------|-------------|----------|---------------|------------|
| Revision:   | C    | Status:        | PRD/A | Change #:   |          | Proprietary:  | No         |
| Type:       | AC   | Prod. Type:    | 3416M | Elec. Spec: | 34WG0918 | CD Diagram:   | CD0006     |
| Enclosure:  | TEFC | Mfg Plant:     |       | Mech. Spec: | 34A062   | Layout:       | 34LYA062   |
| Frame:      | 56C  | Mounting:      | F1    | Poles:      | 04       | Created Date: | 11-14-2007 |
| Base:       | RG   | Rotation:      | R     | Insulation: | B        | Eff. Date:    | 05-31-2016 |
| Leads:      | 3#18 |                |       |             |          | Replaced By:  |            |
| Literature: |      | Elec. Diagram: |       |             |          |               |            |

| Nameplate NP1256L |                |  |      |    |     |      |  |       |    |   |
|-------------------|----------------|--|------|----|-----|------|--|-------|----|---|
| CAT.NO.           | CM3538-8       |  |      |    |     |      |  |       |    |   |
| SPEC.             | 34A062-0918    |  |      |    |     |      |  |       |    |   |
| HP                | .5             |  |      |    |     |      |  |       |    |   |
| VOLTS             | 200            |  |      |    |     |      |  |       |    |   |
| AMP               | 2.2            |  |      |    |     |      |  |       |    |   |
| RPM               | 1725           |  |      |    |     |      |  |       |    |   |
| FRAME             | 56C            |  |      |    | HZ  | 60   |  |       | PH | 3 |
| SER.F.            | 1.25           |  | CODE | L  | DES | B    |  | CLASS | B  |   |
| NEMA-NOM-EFF      | 74             |  | PF   | 63 |     |      |  |       |    |   |
| RATING            | 40C AMB-CONT   |  |      |    |     |      |  |       |    |   |
| CC                | USABLE AT 208V |  |      |    |     |      |  |       |    |   |
| DE                | 6203           |  |      |    | ODE | 6203 |  |       |    |   |
| ENCL              | TEFC           |  | SN   |    |     |      |  |       |    |   |
|                   | SFA 2.6        |  |      |    |     |      |  |       |    |   |

| Parts List    |  |          |
|---------------|--|----------|
| Part Number   | Description                              | Quantity |
| SA166344      | SA 34A062-0918                           | 1.000 EA |
| RA154724      | RA 34A062-0918                           | 1.000 EA |
| NS2512A01     | INSULATOR, CONDUIT BOX X                 | 1.000 EA |
| 34CB3002A     | CB CAST W/.88 DIA HOLE                   | 1.000 EA |
| 34GS1029A01   | GASKET, CONDUIT BOX                      | 1.000 EA |
| 51XB1016A07   | 10-16 X 7/16 HXWSSLD SERTYB              | 2.000 EA |
| 11XW1032G06   | 10-32 X .38, TAPTITE II, HEX WSHR SLTD U | 1.000 EA |
| 34EP3102A01SP | FR ENDPLATE, MACH                        | 1.000 EA |
| HW5100A03SP   | WAVY WASHER (W1543-017)                  | 1.000 EA |
| 34EP3300A24SP | PU ENDPLATE, MACH                        | 1.000 EA |
| 51XN1032A20   | 10-32 X 1 1/4 HX WS SL SR                | 2.000 EA |
| 34FN3002A01SP | EXTERNAL FAN, PLASTIC, .637/.639 HUB W/  | 1.000 EA |
| 34FH4002A01SP | IEC FH NO GREASER PRIMED                 | 1.000 EA |
| 51XW1032A06   | 10-32 X .38, TAPTITE II, HEX WSHR SLTD S | 3.000 EA |
| 34CB4517      | CB LID 4 MTG HOLES .22 DIA STAMPED, FOR  | 1.000 EA |
| 34GS1031A01   | GASKET, FLAT CONDUIT BOX LID (LEXIDE)    | 1.000 EA |
| 51XW0832A07   | 8-32 X .44, TAPTITE II, HEX WSHR SLTD SE | 4.000 EA |
| HW2501D13     | KEY, 3/16 SQ X 1.375                     | 1.000 EA |
| HA7000A04     | KEY RETAINER 0.625 DIA SHAFTS            | 1.000 EA |
| MG1000G27     | MED CHARCOAL METALLIC GREY 400-0096      | 0.014 GA |
| 10XF0440S02   | 04-40 X 1/8 TYPE F HEX HD STAINLESS STIC | 2.000 EA |
| HA3100A12     | THRUBOLT 10-32 X 7.375                   | 4.000 EA |
| LB1119N       | WARNING LABEL                            | 1.000 EA |
| LC0006        | CONNECTION LABEL                         | 1.000 EA |

| <b>Parts List (continued)</b> |  |                 |
|-------------------------------|--|-----------------|
| <b>Part Number</b>            | <b>Description</b>                       | <b>Quantity</b> |
| NP1256L                       | ALUM UL CSA CC                           | 1.000 EA        |
| 34PA1002                      | PKG GRP, PRINT PK1001A01                 | 1.000 EA        |
| MN416A01                      | TAG-INSTAL-MAINT no wire (1200/bx) 11/14 | 1.000 EA        |

**AC Induction Motor Performance Data**  
Record # 6622 - Typical performance - not guaranteed values

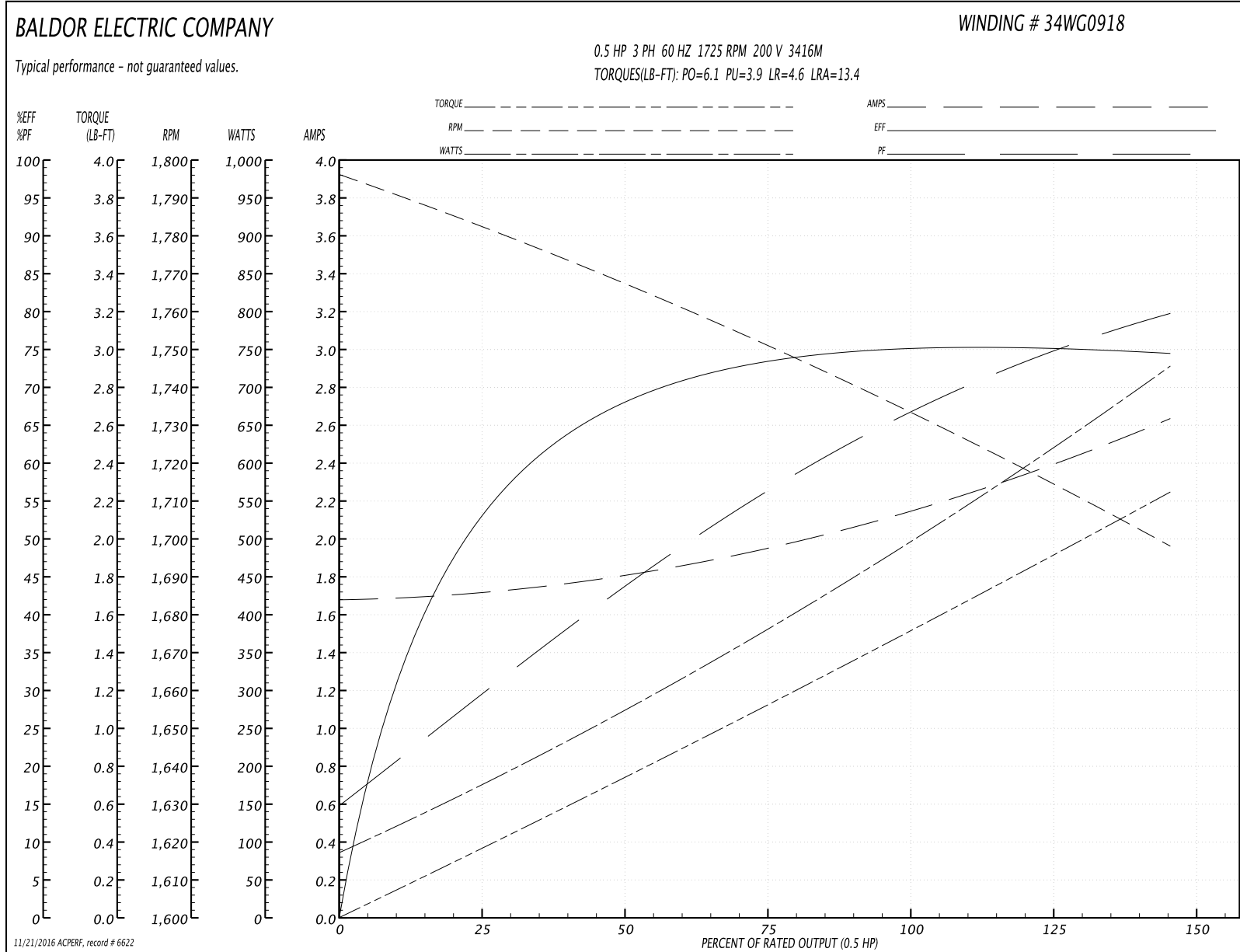
|                               |                    |                        |
|-------------------------------|--------------------|------------------------|
| <b>Winding:</b> 34WG0918-R001 | <b>Type:</b> 3416M | <b>Enclosure:</b> TEFC |
|-------------------------------|--------------------|------------------------|

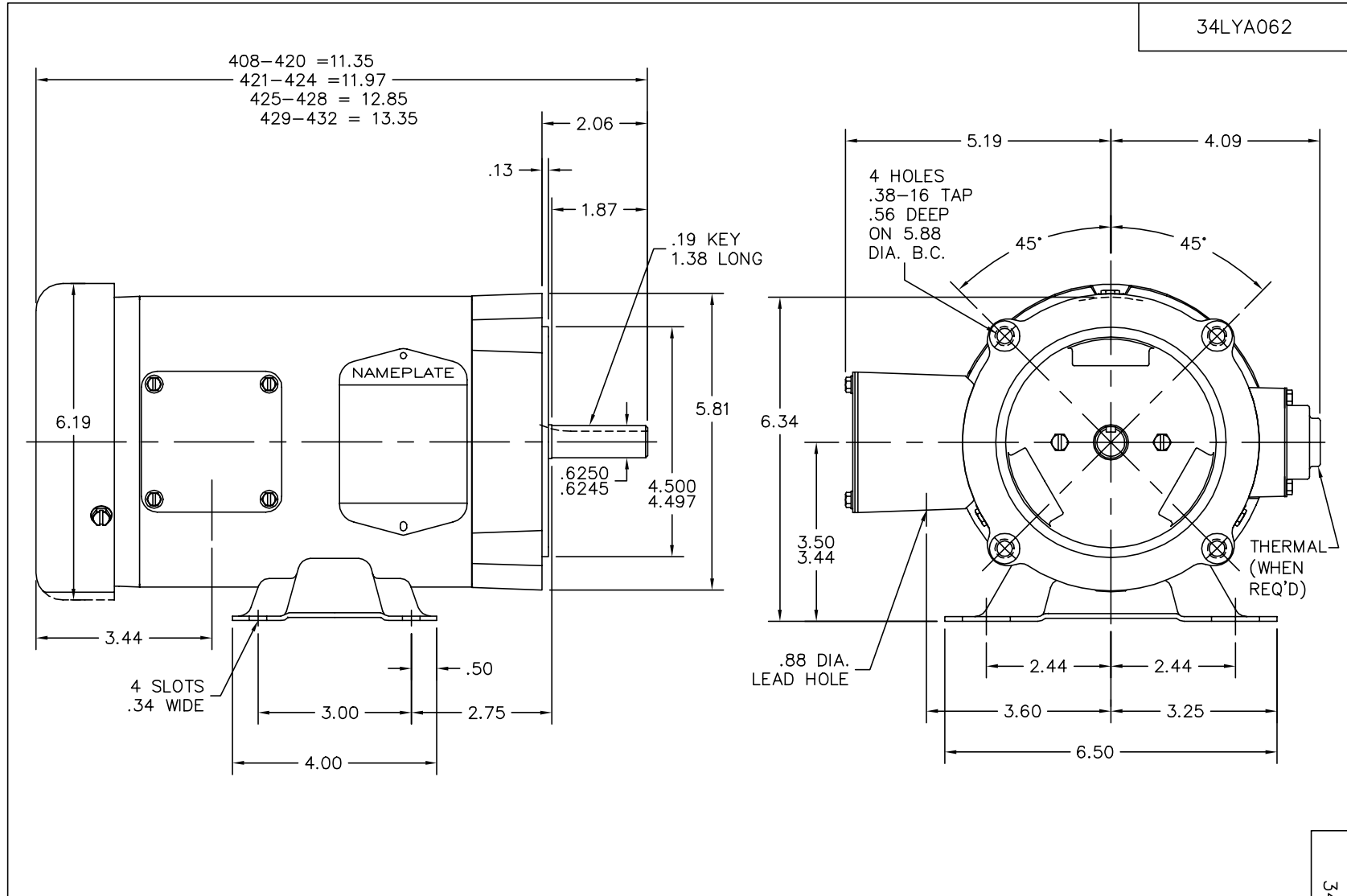
| Nameplate Data        |              |              |    | 200 V, 60 Hz:<br>Single Voltage Motor |                           |
|-----------------------|--------------|--------------|----|---------------------------------------|---------------------------|
| Rated Output (HP)     | .5           |              |    | Full Load Torque                      | 1.5 LB-FT                 |
| Volts                 | 200          |              |    | Start Configuration                   | direct on line            |
| Full Load Amps        | 2.2          |              |    | Breakdown Torque                      | 6.1 LB-FT                 |
| R.P.M.                | 1725         |              |    | Pull-up Torque                        | 3.9 LB-FT                 |
| Hz                    | 60           | Phase        | 3  | Locked-rotor Torque                   | 4.6 LB-FT                 |
| NEMA Design Code      | B            | KVA Code     | L  | Starting Current                      | 13.4 A                    |
| Service Factor (S.F.) | 1.25         |              |    | No-load Current                       | 1.7 A                     |
| NEMA Nom. Eff.        | 74           | Power Factor | 63 | Line-line Res. @ 25°C                 | 7.49 Ω                    |
| Rating - Duty         | 40C AMB-CONT |              |    | Temp. Rise @ Rated Load               | 65°C                      |
| S.F. Amps             | 2.6          |              |    | Temp. Rise @ S.F. Load                | 77°C                      |
|                       |              |              |    | Locked-rotor Power Factor             | 68                        |
|                       |              |              |    | Rotor inertia                         | 0.0381 LB-FT <sup>2</sup> |

Load Characteristics 200 V, 60 Hz, 0.5 HP

| % of Rated Load | 25   | 50   | 75   | 100  | 125  | 150  | S.F. |
|-----------------|------|------|------|------|------|------|------|
| Power Factor    | 31   | 46   | 57   | 68   | 74   | 79   | 74   |
| Efficiency      | 54.9 | 67.7 | 73.4 | 75   | 75.2 | 74.5 | 75.2 |
| Speed           | 1781 | 1767 | 1751 | 1734 | 1718 | 1697 | 1718 |
| Line amperes    | 1.7  | 1.8  | 1.9  | 2.2  | 2.4  | 2.6  | 2.4  |

Performance Graph at 200V, 60Hz, 0.5HP Typical performance - Not guaranteed values





CUSTOMER IS RESPONSIBLE FOR DETERMINING THAT MOTOR PERFORMANCE IS SUITABLE IN THE APPLICATION.

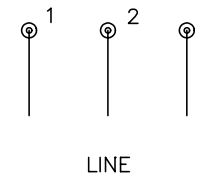
|                               |                      |                              |
|-------------------------------|----------------------|------------------------------|
| REV. DESC: UPDATED KBOX & LID |                      |                              |
| REV. LTR: Q                   | VERSION: 02          | TDR: 000000377176            |
| 34LYA062                      | FILE: \AAA\00000\725 | REVISED: 08:00:53 09/28/2005 |
|                               | MTL: -               | BY: ENROSTO                  |

**BALDOR ELECTRIC Co.**

STD HORZ 34M NEMA 56C TEFC

34LYA062

CD0006



NOTES:

1. THREE LEAD MOTOR MAY BE EITHER WYE CONNECTED OR DELTA CONNECTED.
2. INTERCHANGE ANY TWO LINE LEADS TO REVERSE ROTATION.
3. OPTIONAL THERMOSTATS ARE PROVIDED WHEN SPECIFIED.
4. ACTUAL NUMBER OF INTERNAL PARALLEL CIRCUITS MAY VARY.
5. LEAD COLORS ARE OPTIONAL. LEADS MUST BE NUMBERED AS SHOWN.

|   |         |                        |              |
|---|---------|------------------------|--------------|
| REV. DESC: REVISE TO SHOW OPTIONAL COLORS |         |                        |              |
| REV. LTR: D                               | BY: JLP | REVISED: 01/21/99 4:02 | TDR: 0171435 |
| 9000D                                     |         | FILE: AAA00005141      | MDL: -       |
|   |         | MTL: -                 |              |

**BALDOR ELECTRIC Co.**

3PH, SV, 3 LEADS, WYE OR DELTA CONNECTED

CD0006