

# **BALDOR**® • *RELIANCE*

## **Product Information Packet**

# **CSSEWDM22976T**

**7.5HP, 1180RPM, 3PH, 60HZ, 254TC, 3954M, TEFC**

| Part Detail |       |                |       |             |          |               |            |
|-------------|-------|----------------|-------|-------------|----------|---------------|------------|
| Revision:   | B     | Status:        | PRD/A | Change #:   |          | Proprietary:  | No         |
| Type:       | AC    | Prod. Type:    | 3954M | Elec. Spec: | 39WGX429 | CD Diagram:   | CD0005     |
| Enclosure:  | TEFC  | Mfg Plant:     |       | Mech. Spec: | 39E119   | Layout:       | 39LYE119   |
| Frame:      | 254TC | Mounting:      | F1    | Poles:      | 06       | Created Date: | 01-21-2016 |
| Base:       | RG    | Rotation:      | R     | Insulation: | H        | Eff. Date:    | 10-12-2016 |
| Leads:      | 9#12  |                |       |             |          | Replaced By:  |            |
| Literature: |       | Elec. Diagram: |       |             |          |               |            |

|                            |               |  |             |            |                       |    |  |              |           |   |
|----------------------------|---------------|--|-------------|------------|-----------------------|----|--|--------------|-----------|---|
| <b>Nameplate NP1953D01</b> |               |  |             |            |                       |    |  |              |           |   |
| <b>CAT.NO.</b>             | CSSEWDM22976T |  |             |            |                       |    |  |              |           |   |
| <b>SPEC.</b>               | 39E119X429G1  |  |             |            |                       |    |  |              |           |   |
| <b>HP</b>                  | 7.5           |  |             |            |                       |    |  |              |           |   |
| <b>VOLTS</b>               | 230/460       |  |             |            |                       |    |  |              |           |   |
| <b>AMP</b>                 | 21.4/10.7     |  |             |            |                       |    |  |              |           |   |
| <b>RPM</b>                 | 1180          |  |             |            |                       |    |  |              |           |   |
| <b>FRAME</b>               | 254TC         |  |             |            | <b>HZ</b>             | 60 |  |              | <b>PH</b> | 3 |
| <b>SER.F.</b>              | 1.15          |  | <b>CODE</b> | J          | <b>DES</b>            | A  |  | <b>CLASS</b> | H         |   |
| <b>NEMA-NOM-EFF</b>        | 91            |  |             | <b>PF</b>  | 71                    |    |  |              |           |   |
| <b>RATING</b>              | 40C AMB-CONT  |  |             |            |                       |    |  |              |           |   |
| <b>CC</b>                  | 010A          |  |             |            | <b>USABLE AT 208V</b> |    |  | 22.5         |           |   |
| <b>DE</b>                  | 6309          |  |             | <b>ODE</b> | 6208                  |    |  |              |           |   |
| <b>ENCL</b>                | TEFC          |  | <b>SN</b>   |            |                       |    |  |              |           |   |

| Parts List  |  |          |
|-------------|--|----------|
| Part Number | Description                              | Quantity |
| SA314051    | SA 39E119X429G1                          | 1.000 EA |
| RA301526    | RA 39E119X429G1                          | 1.000 EA |
| 09FN3001D01 | EXTERNAL FAN, PLASTIC                    | 1.000 EA |
| WD1000B17   | T&B CX35TN TERMINAL                      | 1.000 EA |
| 11XW1032S06 | 10-32 X .38, TAPTITE II, HEX WSHR SLTD U | 1.000 EA |
| 39EP1901A01 | S.S. FR ENDPLATE, MACH                   | 1.000 EA |
| HW5100A08   | W3118-035 WVY WSHR (WB)                  | 1.000 EA |
| HW4606A16   | PROTECH/SEAL (WDE-1575-2125-BG38)        | 1.000 EA |
| 39EP1903A01 | S.S. C-FACE PU ENDPLATE, MACH            | 1.000 EA |
| 10XN2520S28 | 1/4-20X 1 3/4 HEX HD SS X                | 4.000 EA |
| HW4606A15   | PROTECH/SEAL (WDE-1688-2250-BG37)        | 1.000 EA |
| XY3816S12   | 3/8-16 HEX FINISHED NUT SS               | 8.000 EA |
| 09FH4014A01 | 304 S.S. FAN COVER & GRILL W/#4 FINISH   | 1.000 EA |
| 10XN2520S08 | SCREW, 1/4-20 X 1/2 HHCS SS              | 3.000 EA |
| HW1001S25   | WASHER, 1/4 SPLT LK, STAINLESS STEEL     | 3.000 EA |
| 09CB1505A01 | S.S. LIPPED KOBX LID                     | 1.000 EA |
| 12GS1002    | GASKET, CONDUIT BOX LID, NEOP            | 1.000 EA |
| 10XN3118S12 | 5/16-18 X 3/4 HEX HEAD CAP, STAINLESS ST | 2.000 EA |
| HW1001S31   | WASHER, 5/16 SPLT LK, STAINLESS STEEL    | 2.000 EA |
| HW2502G25   | #303 SS,SQ KEY 3/8 X 2.880               | 1.000 EA |
| MJ5002A01   | SILICON RUBBER SEALANT, 732CL 10.3 OZ TU | 0.031 EA |
| MJ5002A02   | NON-CORROSIVE SILICONE, DOW 748, 10.3 OZ | 0.031 EA |
| HA5027A01   | HA4066A01 T-DRAIN X2 BAGGED              | 1.000 EA |
| HW4032A01   | BLACK DRAIN PLUG FOR WASH DOWN MOTORS    | 3.000 EA |

| <b>Parts List (continued)</b> |  |                 |
|-------------------------------|--|-----------------|
| <b>Part Number</b>            | <b>Description</b>                       | <b>Quantity</b> |
| MJ1000A02                     | GREASE, POLYREX EM EXXON (USe 4824-15A)  | 0.030 LB        |
| HW4032A01                     | BLACK DRAIN PLUG FOR WASH DOWN MOTORS    | 3.000 EA        |
| HA3154S06                     | THRUBOLT STUD 3/8-16 X 16.875 SS         | 4.000 EA        |
| HW2500S25                     | USA#1008-WOODRUFF KEY#B STAINLESS:       | 1.000 EA        |
| 51XB1214A20                   | 12-14X1.25 HXWSSLD SERTYB                | 1.000 EA        |
| 39PA1000                      | PACKAGING GROUP 39 PRINT                 | 1.000 EA        |
| MN416A01                      | TAG-INSTAL-MAINT no wire (1200/bx) 11/14 | 1.000 EA        |

**AC Induction Motor Performance Data**

Record # 54940 - Typical performance - not guaranteed values

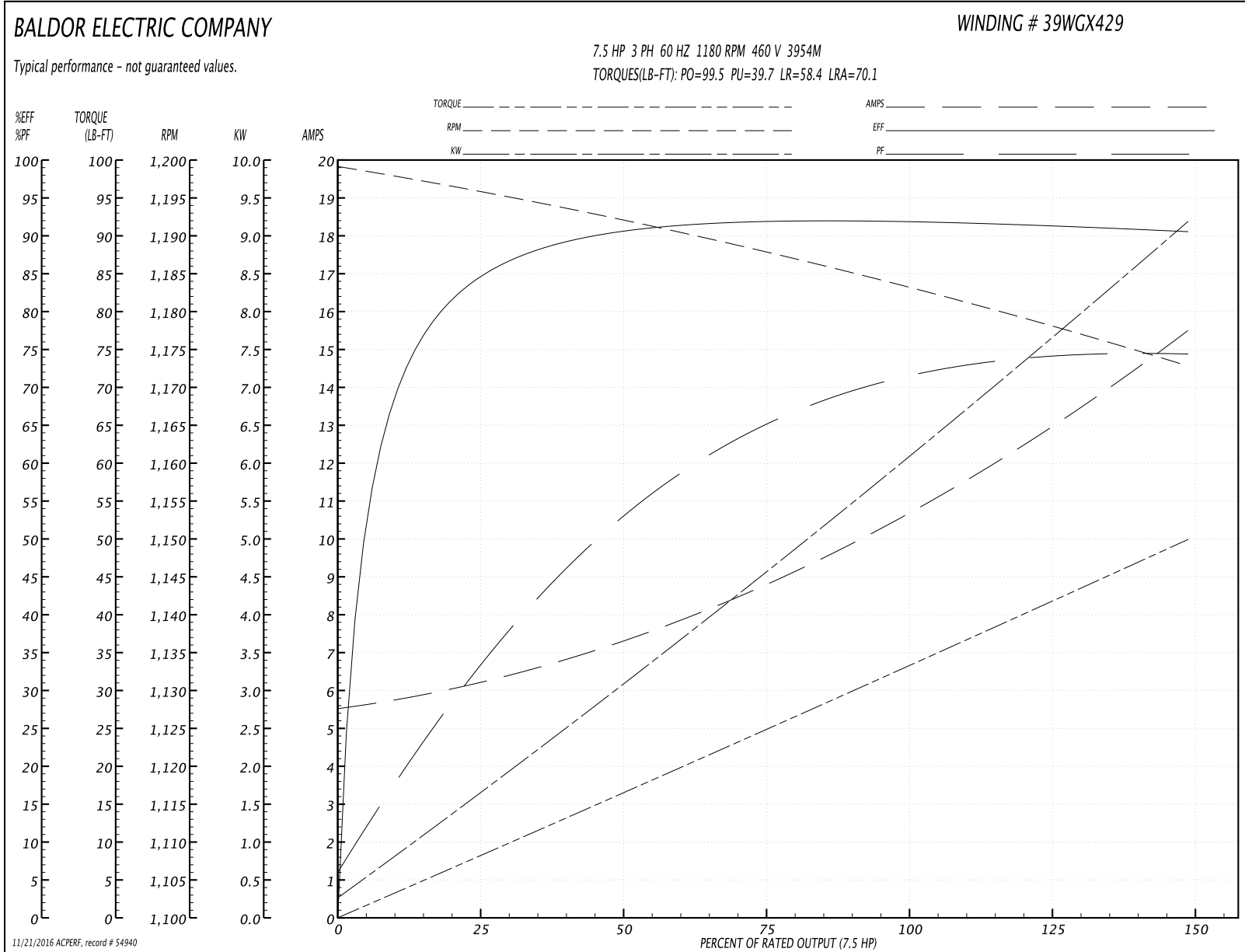
|                               |                    |                        |
|-------------------------------|--------------------|------------------------|
| <b>Winding:</b> 39WGX429-R006 | <b>Type:</b> 3954M | <b>Enclosure:</b> TEFC |
|-------------------------------|--------------------|------------------------|

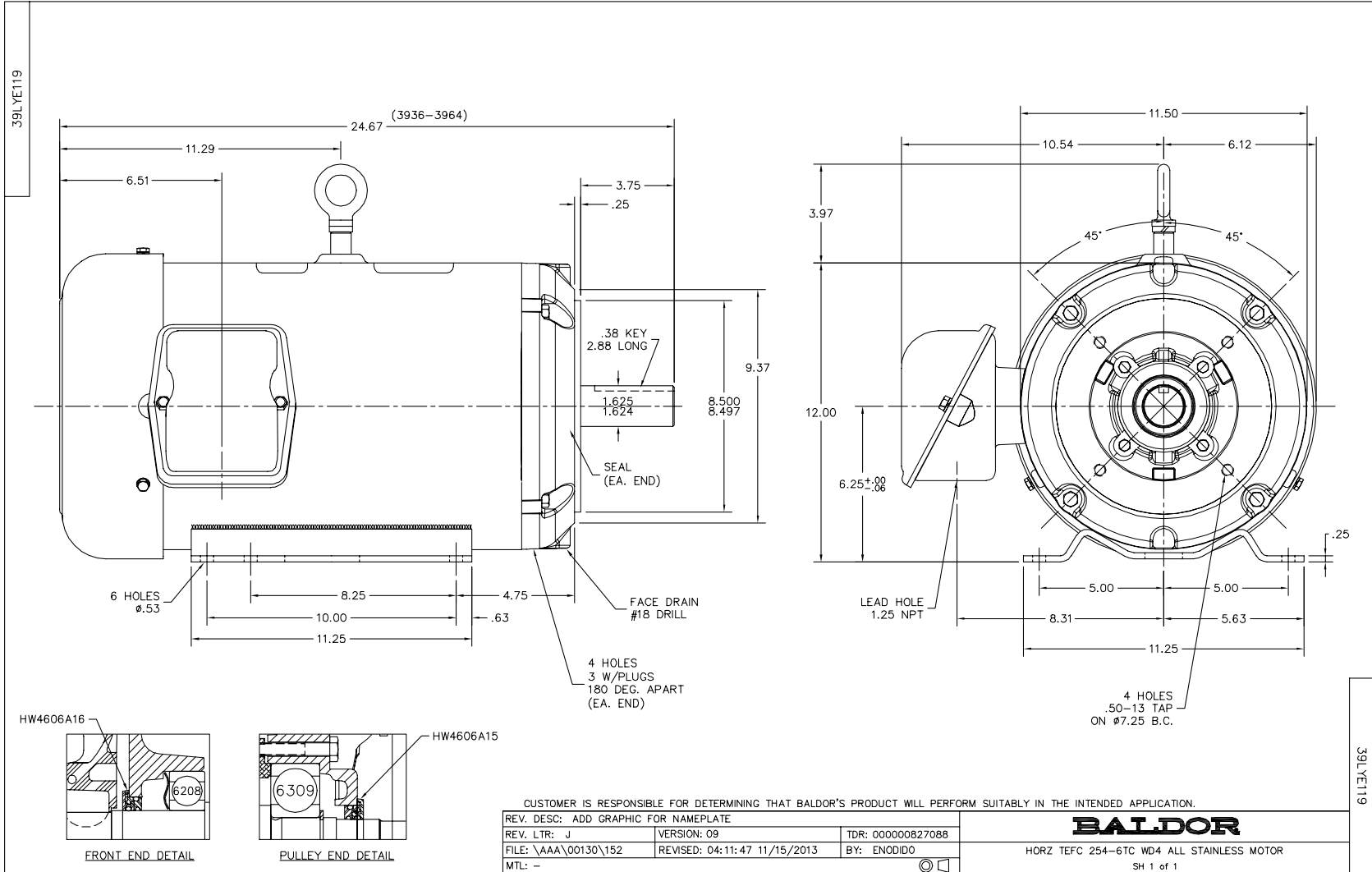
| Nameplate Data        |              |              |    | 460 V, 60 Hz:<br>High Voltage Connection |                         |
|-----------------------|--------------|--------------|----|--|-------------------------|
| Rated Output (HP)     | 7.5          |              |    | Full Load Torque                         | 33.3 LB-FT              |
| Volts                 | 230/460      |              |    | Start Configuration                      | direct on line          |
| Full Load Amps        | 21.4/10.7    |              |    | Breakdown Torque                         | 99.5 LB-FT              |
| R.P.M.                | 1180         |              |    | Pull-up Torque                           | 39.7 LB-FT              |
| Hz                    | 60           | Phase        | 3  | Locked-rotor Torque                      | 58.4 LB-FT              |
| NEMA Design Code      | A            | KVA Code     | J  | Starting Current                         | 70.1 A                  |
| Service Factor (S.F.) | 1.15         |              |    | No-load Current                          | 5.52 A                  |
| NEMA Nom. Eff.        | 91           | Power Factor | 71 | Line-line Res. @ 25°C                    | 0.895 Ω                 |
| Rating - Duty         | 40C AMB-CONT |              |    | Temp. Rise @ Rated Load                  | 32°C                    |
| S.F. Amps             |              |              |    | Temp. Rise @ S.F. Load                   | 42°C                    |
|                       |              |              |    | Locked-rotor Power Factor                | 25.8                    |
|                       |              |              |    | Rotor inertia                            | 4.34 LB-FT <sup>2</sup> |

Load Characteristics 460 V, 60 Hz, 7.5 HP

| % of Rated Load | 25   | 50   | 75   | 100   | 125   | 150  | S.F.  |
|-----------------|------|------|------|-------|-------|------|-------|
| Power Factor    | 33   | 53   | 65   | 71    | 74    | 75   | 73    |
| Efficiency      | 84.9 | 90.6 | 91.8 | 91.5  | 91.4  | 90.5 | 91.6  |
| Speed           | 1196 | 1192 | 1188 | 1183  | 1178  | 1173 | 1180  |
| Line amperes    | 6.25 | 7.28 | 8.82 | 10.72 | 12.91 | 15.5 | 12.03 |

Performance Graph at 460V, 60Hz, 7.5HP Typical performance - Not guaranteed values





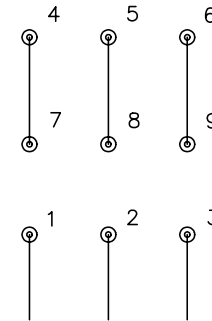
CD0005



LOW VOLTAGE  
(2Y)



HIGH VOLTAGE  
(1Y)



NOTES:

1. INTERCHANGE ANY TWO LINE LEADS TO REVERSE ROTATION.
2. OPTIONAL THERMOSTATS ARE PROVIDED WHEN SPECIFIED.
3. ACTUAL NUMBER OF INTERNAL PARALLEL CIRCUITS MAY BE A MULTIPLE OF THOSE SHOWN ABOVE.
4. LEAD COLORS ARE OPTIONAL. LEADS MUST ALWAYS BE NUMBERED AS SHOWN.

|   |         |                         |              |
|---|---------|-------------------------|--------------|
| REV. DESC: REVISE TO SHOW OPTIONAL COLORS |         |                         |              |
| REV. LTR: E                               | BY: JLP | REVISED: 01/19/99 10:15 | TDR: 0171435 |
| 90000                                     |         | FILE: AAA00005140       | MDL: -       |
|   |         | MTL: -                  |              |

**BALDOR ELECTRIC Co.**

3PH, DV, 9 LEADS

CD0005

Marketing maintained PDF of MN416:

<http://www.baldor.com/support/Literature/Load.ashx/MN416?ManNumber=MN416>