

BALDOR® • *RELIANCE*

Product Information Packet

ECP49404T-4

400HP, 1785RPM, 3PH, 60HZ, L449T, TEFC

Part Detail							
Revision:	K	Status:	PRD/A	Change #:		Proprietary:	No
Type:	AC	Prod. Type:	A44208M	Elec. Spec:	A44WG5081	CD Diagram:	416820-036
Enclosure:	TEFC	Mfg Plant:		Mech. Spec:		Layout:	617423-352
Frame:	L 449T	Mounting:	F1	Poles:	04	Created Date:	03-17-2014
Base:		Rotation:	R	Insulation:	F	Eff. Date:	03-30-2016
Leads:	3#1 (04 per group)					Replaced By:	
Literature:		Elec. Diagram:					

Nameplate NP3238									
CAT NO	ECP49404T-4	SPEC NO.	P44G5919						
HP	400	AMPS	435	VOLTS	460	DESIGN	B		
FRAME	L 449T	RPM	1785	HZ	60	AMB	40	SF	1.15
D.E. BRG.DATA	6222	O.D.E. BRG.DATA	6318	PH	3	DUTY	CONT	INSUL.CLASS	F
D.E. BRG.	110BC02J30X	TYPE	P	ENCL	TEFC	CODE	G	NEMA NOM EFFICIENCY	96.2
O.D.E. BRG.	90BC03J30X	POWER FACTOR	89	MAX CORR KVAR	54.0	GUARANTEED EFFICIENCY	95.4		
3/4 LOAD EFF.	96.8	TEMP	= 230	VT HZ	0-60				
TEMP CODE	T2C	CT HZ	30-60						
CHP HZ	60-90								
INVERTER-TEMP-CODE	T2C								
SER.NO.		MOTOR WEIGHT	3682						

Parts List		
Part Number	Description	Quantity
SA279230	SA P44G5919	1.000 EA
RA265754	RA P44G5919	1.000 EA
NP3238	SS CP XEX SEVERE DUTY MAIN NP	1.000 EA
000692000FF	N/P	1.000 EA
000692000VD	LABEL WARNING	1.000 EA
004824015A	GREASE POLYREX EM	1.156 LB
032018008CK	HHCS 3/8-16X1L PLATED	4.000 EA
032018020FK	HHCS 3/4-10X2-1/2 PLTD.	4.000 EA
032018036DK	HHCS 1/2-13X4-1/2 PLTD.	3.000 EA
032620016LA	SOCKET SET SCREW-449	3.000 EA
034017014AB	LCKW 3/8 STD. PLATED	4.000 EA
034180014DA	KEY 1/4X1/4X1-3/4 L	1.000 EA
034530064AB	P/NIP 1/8 X 8" L Pipe Nipple	1.000 EA
034530064BB	P/NIP 1/4X8 PLATED	1.000 EA
034631002AB	BUSH 1/4 TO 1/8 PLTD.	1.000 EA
035000001G	GREASE RELIEF FITTING, ALEMITE 317400	1.000 EA
034690005AB	PPLG 3/4 PLATED	2.000 EA
078549001DA	FAN 400 078549001F	1.000 EA
083199082RA	G28 SHORT FAN COVER W/BAFFLE ASSEMBLY	1.000 EA
089490099A	G28 BRKT 089490098WCA KB	1.000 EA
410700004A	WSHR	1.000 EA
412118006A	DRAIN	1.000 EA
415045002A	SLGR	1.000 EA
415072001B	CLAMP	1.000 EA

Parts List (continued)		
Part Number	Description	Quantity
415096002A	CPLG 1/8 HEX TYPE	1.000 EA
032018004BK	HHCS 5/16-18X1/2 PLATED	3.000 EA
032018006BK	HHCS 5/16-18X3/4 PLATED	3.000 EA
032018020FK	HHCS 3/4-10X2-1/2 PLTD.	4.000 EA
032018030DK	HHCS 1/2-13X3-3/4 PLTD.	3.000 EA
034017013AB	LCKW 5/16 STD. PLATED	3.000 EA
034530056AB	1/8 X 7 PP NIPPLE	1.000 EA
034530056BB	P/NIP 1/4X7 SCHED 40	1.000 EA
034631002AB	BUSH 1/4 TO 1/8 PLTD.	1.000 EA
035000001G	GREASE RELIEF FITTING, ALEMITE 317400	1.000 EA
034017013AB	LCKW 5/16 STD. PLATED	3.000 EA
415915007G	GASK, LAC	1.000 FT
089490101A	G28 BRKT 089490100WCA	1.000 EA
412118006A	DRAIN	1.000 EA
415045002D	SLGR - 440	1.000 EA
415096002A	CPLG 1/8 HEX TYPE	1.000 EA
418151014H	RETAIN RING	1.000 EA
702623022A	G28 AIR DEFLECTOR DRIVE END -- PLASTIC	1.000 EA
702623013A	THERMAL BARRIER -- G28 -- BRACKET MTD	1.000 EA
032018008DK	HHCS 1/2-13X1 PLATED	4.000 EA
032130014DB	HSCHS1/2-13X1-3/4 PLATE	4.000 EA
033512004LB	HHTTS 1/4-20X1/2 PLTD.	1.000 EA
034000016AB	WSHR .531ID 1.062OD .095	4.000 EA
035000001A	ALFTG 1/8" 1610-BL	1.000 EA

Product Information Packet: ECP49404T-4 - 400HP,1785RPM,3PH,60HZ,L449T,TEFC

035000001A	ALFTG 1/8" 1610-BL	1.000 EA
702616012RE	CONDUIT BOX	1.000 EA
406056008A	GASKET, TERBD 440	1.000 EA
406099000A	PLUG - FAN COVER 320-440	1.000 EA
415000103D	T/LUG #4AWG-1/0AWG W/HOLE FOR .250 BOLT	1.000 EA
415030115A	G28 C/BOX 415030114WCA	1.000 EA
418150003A	GREASE FITTING CAP	1.000 EA
418150003A	GREASE FITTING CAP	1.000 EA
033775004EA	DRSCR #6-1/4 304 S.S.	2.000 EA
034180054KA	KEY 7/8X7/8X6-3/4 L	1.000 EA
MG1025N19	WILKO 778.50 BLUE GREEN - 55 GAL DRUMS	0.375 GA
004824003CBY	WILKO PAINT 060.02 - ACTIVATOR	0.094 GA
L482401016	SPRAY AC-29-7S	0.019 GA
421948051	LABEL, MYLAR	1.000 EA
415039027A	GASKET, G28 LEAD THROAT	2.000 EA
604797003C	SHIPPING BAG	1.000 EA
033300014AC	HEX NUT, SHIPPING - 400	2.000 EA
034001016AB	WSHR .562ID 1.375OD .109	2.000 EA
034001014AB	FLAT WASHER 3/8"PLATED	2.000 EA
032510026D	CARRIAGE BOLT - 440	2.000 EA
604797032	447/449 WIDE SHIPPING SKID	1.000 EA
LB1449	DIV-2/NEC WARNING LABEL	1.000 EA
000613006PU	N/P (RELEASE QTY 10,000) UL CSA LABEL	1.000 EA

REL. S.O.	FRAME	HP	TYPE	PHASE/HERTZ	RPM	VOLTS
	L449T	400	P	3/60	1785	460
AMPS	DUTY	AMB °C/ INSUL.	S.F.	NEMA DESIGN	CODE LETTER	ENCL.
435	CONT	40/F	1.15	B	G	TEFC-XEX
E/S	ROTOR	TEST S.O.	TEST DATE	STATOR RES. @25 °C (BETWEEN LINES)		
-	418143041SE	---	---	.00719		

PERFORMANCE

LOAD	HP	AMPERES	RPM	POWER FACTOR %	EFFICIENCY %
NO LOAD	0	98.8	1800	3.37	0
1/4	100	142	1796	68.8	96.0
2/4	200	225	1792	85.7	97.0
3/4	300	326	1788	88.8	96.9
4/4	400	435	1784	89.2	96.5
5/4	500	546	1779	89.3	95.9

SPEED TORQUE

	RPM	TORQUE % FULL LOAD	TORQUE LB.-FT.	AMPERES
LOCKED ROTOR	0	174	2052	2792
PULL UP	700	169	1985	2566
BREAKDOWN	1724	255	3009	1549
FULL LOAD	1784	100	1178	435

AMPERES SHOWN FOR 460. VOLT CONNECTION. IF OTHER VOLTAGE CONNECTIONS ARE AVAILABLE, THE AMPERES WILL VARY INVERSELY WITH THE RATED VOLTAGE

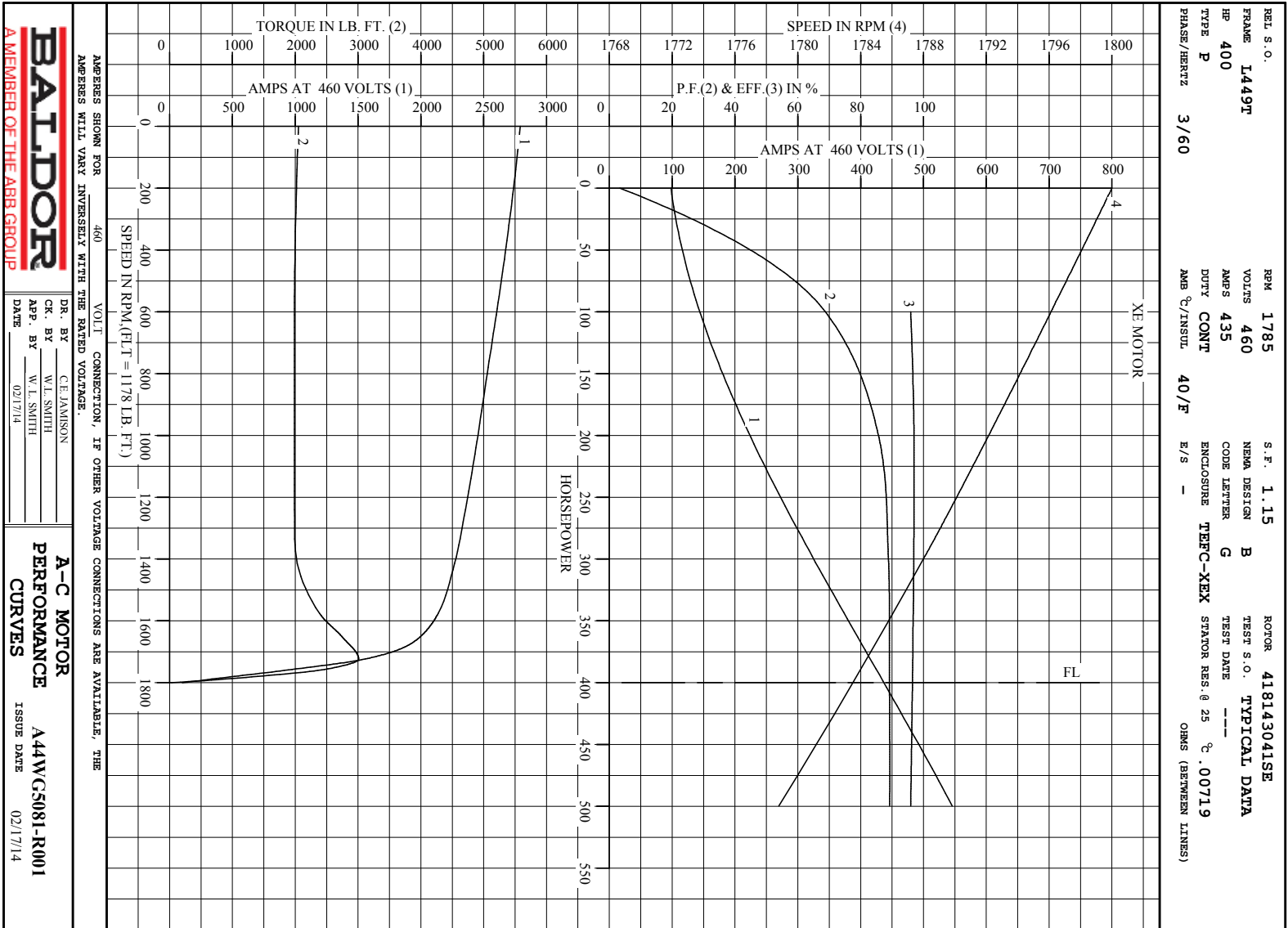
REMARKS: TYPICAL DATA
XE MOTOR



DR. BY C.E. JAMISON
CR. BY W.L. SMITH
APP. BY W.L. SMITH
DATE 02/17/14

A-C MOTOR
PERFORMANCE DATA
A44WG5081-R001
ISSUE DATE 02/17/14

A MEMBER OF THE ABB GROUP



Printed on 1/5/17 15:44 @ bengap01.baldor.com

DUTY MASTER ALTERNATING CURRENT MOTORS
SQUIRREL-CAGE INDUCTION

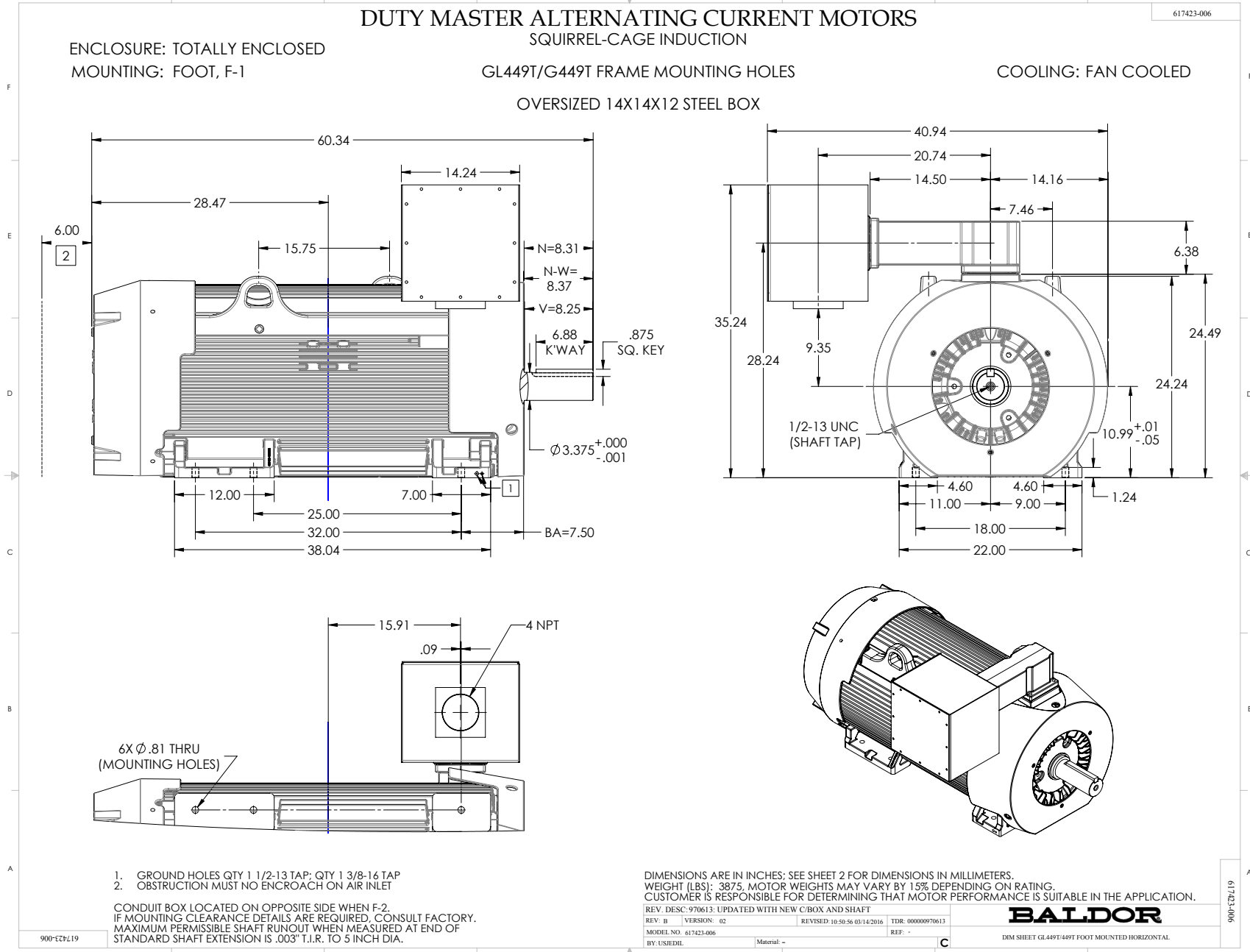
617423-006

ENCLOSURE: TOTALLY ENCLOSED
MOUNTING: FOOT, F-1

GL449T/G449T FRAME MOUNTING HOLES

COOLING: FAN COOLED

OVERSIZED 14X14X12 STEEL BOX



DUTY MASTER ALTERNATING CURRENT MOTORS
SQUIRREL-CAGE INDUCTION

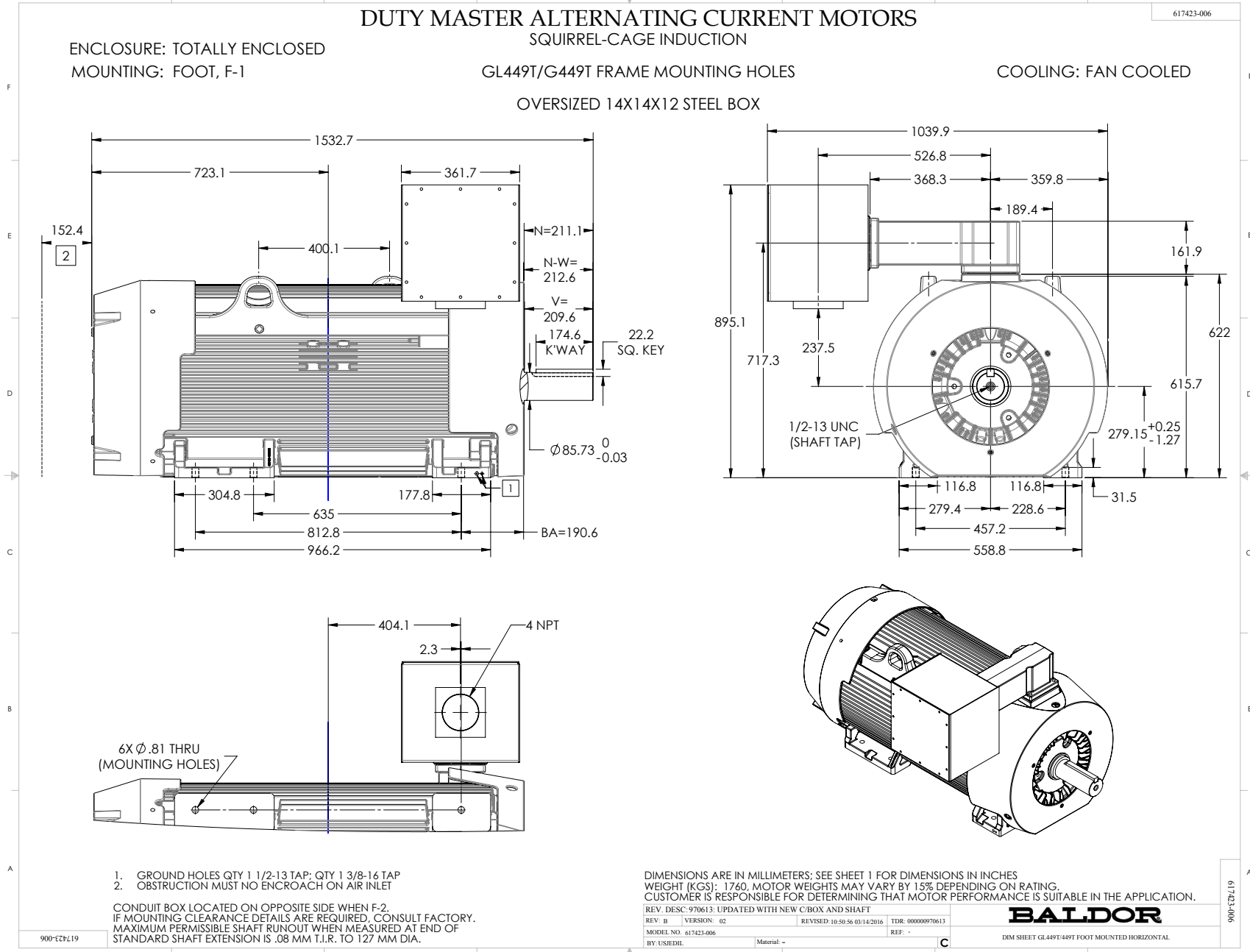
617423-006

ENCLOSURE: TOTALLY ENCLOSED
MOUNTING: FOOT, F-1

GL449T/G449T FRAME MOUNTING HOLES

COOLING: FAN COOLED

OVERSIZED 14X14X12 STEEL BOX



- 1. GROUND HOLES QTY 1 1/2-13 TAP; QTY 1 3/8-16 TAP
- 2. OBSTRUCTION MUST NO ENCR OACH ON AIR INLET

CONDUIT BOX LOCATED ON OPPOSITE SIDE WHEN F-2.
IF MOUNTING CLEARANCE DETAILS ARE REQUIRED, CONSULT FACTORY.
MAXIMUM PERMISSIBLE SHAFT RUNOUT WHEN MEASURED AT END OF
STANDARD SHAFT EXTENSION IS .08 MM T.I.R. TO 127 MM DIA.

DIMENSIONS ARE IN MILLIMETERS; SEE SHEET 1 FOR DIMENSIONS IN INCHES
WEIGHT (KGS): 1760, MOTOR WEIGHTS MAY VARY BY 15% DEPENDING ON RATING.
CUSTOMER IS RESPONSIBLE FOR DETERMINING THAT MOTOR PERFORMANCE IS SUITABLE IN THE APPLICATION.

REV. DESC: 970613: UPDATED WITH NEW C/BOX AND SHAFT			
REV: B	VERSION: 02	REVISED: 10/30/56 03/14/2016	TDR: 00000970613
MODEL NO. 617423-006			REF: -
BY: USJEDIL	Material: -		

BALDOR

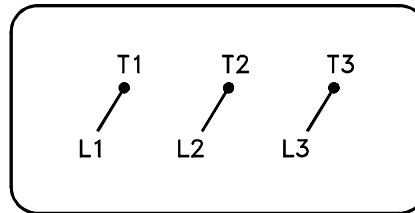
DIM SHEET GL449T-449T FOOT MOUNTED HORIZONTAL

900-ECZ119

617423-006

416820-036

A-C MOTOR
 CONNECTION DIAGRAM
 STANDARD 3 LEAD CONNECTED



(N.P. 1575-BA)

416820-036

REV. DESC: LOADED TO BUS, C/R 335225		
REV. LTR: -	VERSION: 00	TDR: 000000538207
FILE: \MGA\00000\682	REVISED: 11:54:06 04/30/2010	
MTL: -	BY: RAGRA	

BALDOR

CONN DIAG - STANDARD 3 LEAD

SH 1 of 1

Marketing maintained PDF of MN408:

<http://www.baldor.com/support/Literature/Load.ashx/MN408?ManNumber=MN408>

Marketing maintained PDF of MN416:

<http://www.baldor.com/support/Literature/Load.ashx/MN416?ManNumber=MN416>