

BALDOR® • RELIANCE

Product Information Packet

ECP84413T-4

150HP,3570RPM,3PH,60HZ,445TS,A4478M,TEFC

| Part Detail | | | | | | | |
|-------------|--------------------|----------------|--------|-------------|-----------|---------------|------------|
| Revision: | J | Status: | PRD/A | Change #: | | Proprietary: | No |
| Type: | AC | Prod. Type: | A4478M | Elec. Spec: | A44WG3535 | CD Diagram: | 416820-036 |
| Enclosure: | TEFC | Mfg Plant: | | Mech. Spec: | | Layout: | 617427-064 |
| Frame: | 445TS | Mounting: | F1 | Poles: | 02 | Created Date: | 08-17-2012 |
| Base: | | Rotation: | R | Insulation: | F | Eff. Date: | 05-23-2016 |
| Leads: | 3#2 (02 per group) | | | | | Replaced By: | |
| Literature: | | Elec. Diagram: | | | | | |

| Nameplate NP3237 | | | | | | | | | |
|--------------------|-------------|-----------------|----------|---------------|------|-----------------------|------|-------------|------|
| CAT NO | ECP84413T-4 | SPEC NO. | P44G3966 | | | | | | |
| HP | 150 | AMPS | 164 | VOLTS | 460 | DESIGN | B | | |
| FRAME SIZE | 445TS | RPM | 3570 | HZ | 60 | AMB | 40 | SF | 1.15 |
| D.E. BRG.DATA | 6313 | O.D.E. BRG.DATA | 6313 | PH | 3 | DUTY | CONT | INSUL.CLASS | F |
| D.E. BRG. | 65BC03J30X | TYPE | P | ENCL | TEFC | CODE | G | | |
| O.D.E. BRG. | 65BC03J30X | POWER FACTOR | 90 | | | NEMA-NOM-EFFICIENCY | 95 | | |
| 3/4 LOAD EFF. | 95.3 | IP | 56 | MAX CORR KVAR | 20.0 | GUARANTEED EFFICIENCY | 94.1 | | |
| TEMP CODE | T3 | TEMP = | 200 | | | | | | |
| CHP HZ | 60-75 | CT HZ | 10-60 | VT HZ | 0-60 | | | | |
| INVERTER-TEMP-CODE | T3 | | | | | | | | |
| SER.NO. | | MOTOR WEIGHT | 2017 | | | | | | |

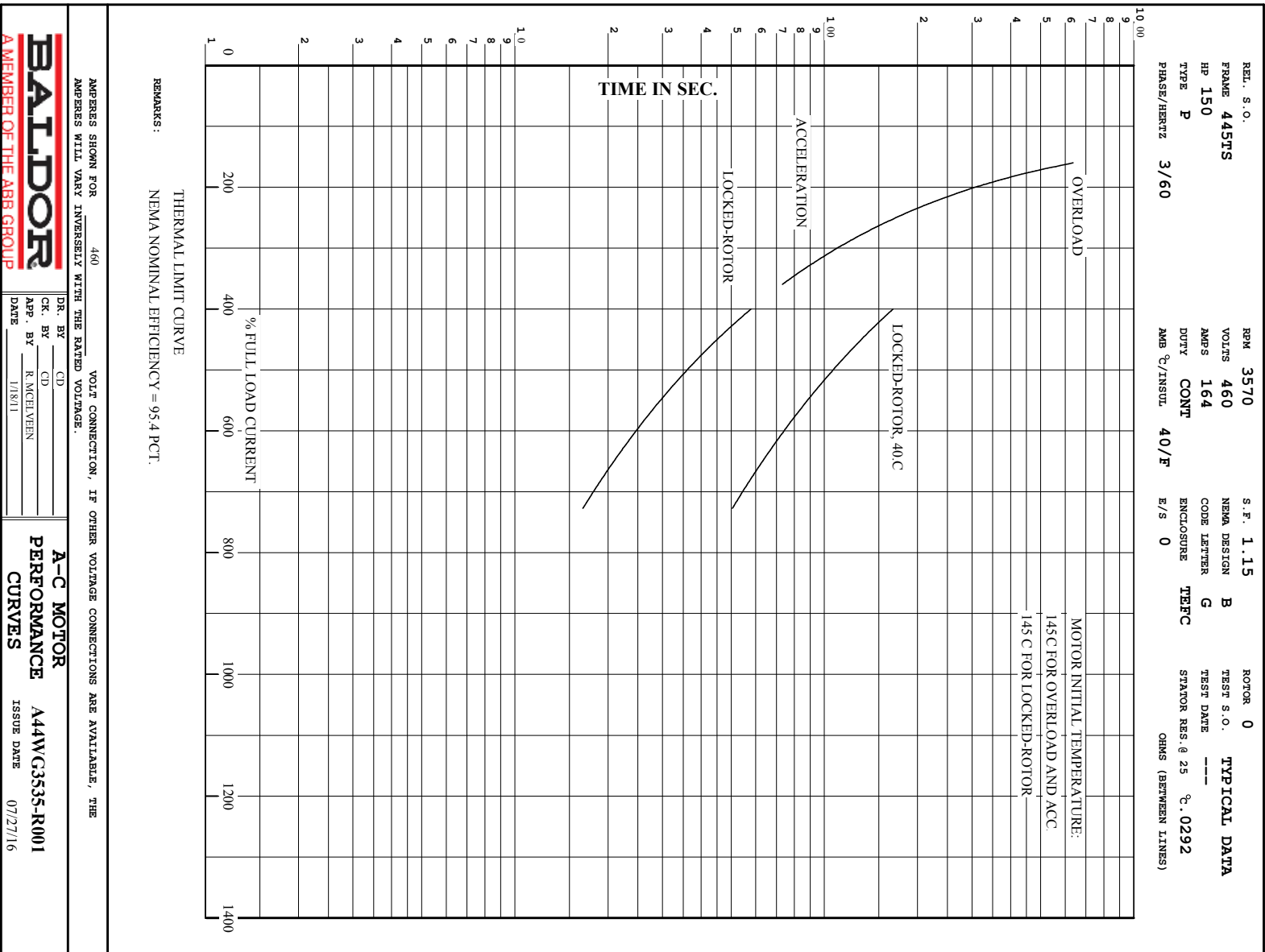
| | | | |
|------------------------------|-------------|---------------------------------|------------|
| Nameplate 000613007EX | | | |
| CAT NO | ECP84413T-4 | SPEC NO. | P44G3966 |
| NO. ROTOR BARS | 40 | GREASE TYPE | POLYREX EM |
| NO. SLOTS | 48 | NL AMPS AT RATED VOLTAGE | 34.7 |
| 5 YEAR WARRANTY | | WINDING RES @25 C | .02926 |
| MFG. DATE | | SER.NO | |
| | | OHMS | |
| | | | |
| | | | |

| Parts List | | |
|-------------|--|----------|
| Part Number | Description | Quantity |
| SA249735 | SA P44G3966 | 1.000 EA |
| RA236595 | RA P44G3966 | 1.000 EA |
| 000613006PU | N/P (RELEASE QTY 10,000) UL CSA LABEL | 1.000 EA |
| NP3237 | SS SUPER E INVERTER DUTY IEEE 841 | 1.000 EA |
| 000613007EX | SS IEEE 841 EMBOSSED AUXILIARY NAMEPLATE | 1.000 EA |
| 000692000FF | N/P | 1.000 EA |
| 000692000JP | N/P | 1.000 EA |
| 000692000VD | LABEL WARNING | 1.000 EA |
| 000692000VH | N/P | 1.000 EA |
| 421948051 | LABEL, MYLAR | 1.000 EA |
| 004824015A | GREASE POLYREX EM | 0.540 LB |
| 032018008CK | HHCS 3/8-16X1L PLATED | 4.000 EA |
| 032018020FK | HHCS 3/4-10X2-1/2 PLTD. | 4.000 EA |
| 032018022CK | HHCS 3/8-16X2-3/4 PLTD | 3.000 EA |
| 032620016LA | SOCKET SET SCREW-449 | 3.000 EA |
| 034017014AB | LCKW 3/8 STD. PLATED | 4.000 EA |
| 034180014DA | KEY 1/4X1/4X1-3/4 L | 1.000 EA |
| 034530072AB | P/NIP 1/8X9"L Threaded both ends | 1.000 EA |
| 034530072BB | PIPE NIPPLE,DE - 440-BS | 1.000 EA |
| 034600001AA | BUSH 1/4TO1/8 BLACK | 1.000 EA |
| 034630002AB | CPLG 1/4" PLATED | 1.000 EA |
| 034690005AB | PPLG 3/4 PLATED | 2.000 EA |
| 035000001G | GREASE RELIEF FITTING, ALEMITE 317400 | 1.000 EA |
| 089490097C | BRKT,DE 089490102WCA | 1.000 EA |

| Parts List (continued) | | |
|------------------------|---------------------------------------|----------|
| Part Number | Description | Quantity |
| 412118006A | DRAIN | 1.000 EA |
| 083199082RA | G28 SHORT FAN COVER W/BAFFLE ASSEMBLY | 1.000 EA |
| 089490097C | BRKT,DE 089490102WCA | 1.000 EA |
| 410700004F | WSHR | 1.000 EA |
| 412118006A | DRAIN | 1.000 EA |
| 415028021E | SEAL | 1.000 EA |
| 415072001B | CLAMP | 1.000 EA |
| 415096002A | CPLG 1/8 HEX TYPE | 1.000 EA |
| 423709011C | WASHER | 3.000 EA |
| 078546004C | FAN 440 702675001D | 1.000 EA |
| 032018004BK | HHCS 5/16-18X1/2 PLATED | 3.000 EA |
| 032018006BK | HHCS 5/16-18X3/4 PLATED | 3.000 EA |
| 032018020FK | HHCS 3/4-10X2-1/2 PLTD. | 4.000 EA |
| 032018022CK | HHCS 3/8-16X2-3/4 PLTD | 3.000 EA |
| 415915007K | GASK, 26" LAC | 1.000 EA |
| 034017013AB | LCKW 5/16 STD. PLATED | 3.000 EA |
| 034530056AB | 1/8 X 7 PP NIPPLE | 1.000 EA |
| 034530056BB | P/NIP 1/4X7 SCHED 40 | 1.000 EA |
| 034600001AA | BUSH 1/4TO1/8 BLACK | 1.000 EA |
| 034630002AB | CPLG 1/4" PLATED | 1.000 EA |
| 035000001G | GREASE RELIEF FITTING, ALEMITE 317400 | 1.000 EA |
| 415028021E | SEAL | 1.000 EA |
| 415096002A | CPLG 1/8 HEX TYPE | 1.000 EA |
| 423709011C | WASHER | 3.000 EA |

Product Information Packet: ECP84413T-4 - 150HP,3570RPM,3PH,60HZ,445TS,A4478M,TEFC

| | | |
|-------------|--|----------|
| 702623012A | THERMAL BARRIER, G28 | 1.000 EA |
| 032018008BK | HHCS 5/16-18X1L PLATED | 4.000 EA |
| 032018008DK | HHCS 1/2-13X1 PLATED | 4.000 EA |
| 033512006LB | HHTTS 1/4-20X3/4 PLTD. | 1.000 EA |
| 035000001A | ALFTG 1/8" 1610-BL | 1.000 EA |
| 035000001A | ALFTG 1/8" 1610-BL | 1.000 EA |
| 067053001C | GASK 440 | 1.000 EA |
| 076863000C | +CBCST BLKT - 440 | 1.000 EA |
| 076864000A | CB CVRCST BLKT - 440 | 1.000 EA |
| 406056007A | GASKET, 440 | 1.000 EA |
| 406099000A | PLUG - FAN COVER 320-440 | 1.000 EA |
| 415000103D | T/LUG #4AWG-1/0AWG W/HOLE FOR .250 BOLT | 1.000 EA |
| 418150003A | GREASE FITTING CAP | 1.000 EA |
| 418150003A | GREASE FITTING CAP | 1.000 EA |
| MG1025N19 | WILKO 778.50 BLUE GREEN - 55 GAL DRUMS | 0.250 GA |
| 033775004EA | DRSCR #6-1/4 304 S.S. | 2.000 EA |
| 034180024HA | KEY 5/8X5/8X3 L | 1.000 EA |
| MN416 | TAG-INSTAL-MAINT w/wire. (1200/bx) 10/14 | 1.000 EA |
| PK5004A09 | BASE 48 X 39-1/4 STACK 2 X 4 RUUNER | 1.000 EA |
| LB1449 | DIV-2/NEC WARNING LABEL | 1.000 EA |



BALDOR
A MEMBER OF THE ABB GROUP

DR. BY CD
CK. BY CD
APP. BY R. MCELVEEN
DATE 1/18/11

A-C MOTOR
PERFORMANCE
CURVES

A44W/C3535-R001
ISSUE DATE 07/27/16

| | | | | | | |
|-----------|-------|---------------|-----------|---|-------------|-------|
| REL. S.O. | FRAME | HP | TYPE | PHASE/HERTZ | RPM | VOLTS |
| | 445TS | 150 | P | 3/60 | 3570 | 460 |
| AMPS | DUTY | AMB °C/INSUL. | S.F. | NEMA DESIGN | CODE LETTER | ENCL. |
| 164 | CONT | 40/F | 1.15 | B | G | TEFC |
| E/S | ROTOR | TEST S.O. | TEST DATE | STATOR RES. @25 °C (OHMS BETWEEN LINES) | | |
| 0 | 0 | --- | --- | .0292 | | |

PERFORMANCE


| LOAD | HP | AMPERES | RPM | POWER FACTOR % | EFFICIENCY % |
|---------|------|---------|------|----------------|--------------|
| NO LOAD | 0 | 34.7 | 3600 | 6.89 | 0 |
| 1/4 | 37.5 | 59.2 | 3593 | 63.9 | 92.9 |
| 2/4 | 75.1 | 90.3 | 3585 | 81.7 | 95.3 |
| 3/4 | 113 | 125 | 3578 | 87.8 | 95.7 |
| 4/4 | 150 | 164 | 3570 | 89.9 | 95.6 |
| 5/4 | 187 | 204 | 3562 | 90.4 | 95.2 |

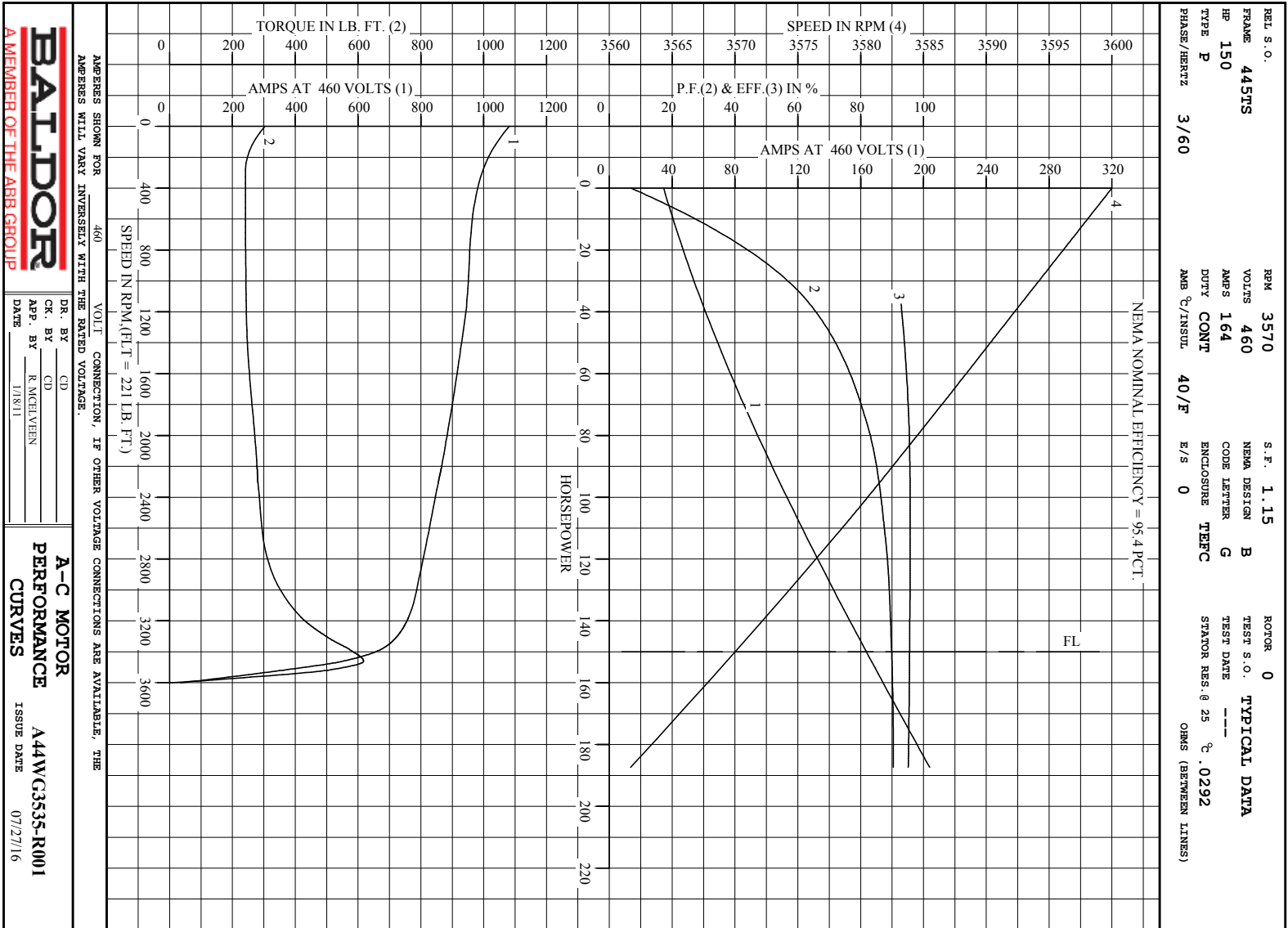
SPEED TORQUE

| | RPM | TORQUE % FULL LOAD | TORQUE LB.-FT. | AMPERES |
|--------------|------|--------------------|----------------|---------|
| LOCKED ROTOR | 0 | 138 | 304 | 1081 |
| PULL UP | 288 | 110 | 242 | 997 |
| BREKDOWN | 3461 | 280 | 618 | 552 |
| FULL LOAD | 3570 | 100 | 221 | 164 |

AMPERES SHOWN FOR 460. VOLT CONNECTION. IF OTHER VOLTAGE CONNECTIONS ARE AVAILABLE, THE AMPERES WILL VARY INVERSELY WITH THE RATED VOLTAGE

REMARKS: TYPICAL DATA
NEMA NOMINAL EFFICIENCY = 95.4 PCT.

| | | | |
|--|---------------------------|------------------------------|--|
|  A MEMBER OF THE ABB GROUP | DR. BY | CD | A-C MOTOR PERFORMANCE DATA A44WG3535-R001 ISSUE DATE 07/27/16 |
| | CR. BY APP. BY DATE | CD R. McELVERN 1/18/11 | |



BALDOR
A MEMBER OF THE ABB GROUP

DR. BY _____
CD _____
APP. BY R. MCELVERN
DATE 1/18/11

A-C MOTOR
PERFORMANCE A44WC3535-R001
CURVES ISSUE DATE 07/27/16

Printed on 1/6/17 14:38 @ bengap01.baldor.com

DUTY MASTER ALTERNATING CURRENT MOTORS
SQUIRREL-CAGE INDUCTION

ENCLOSURE: TOTALLY ENCLOSED

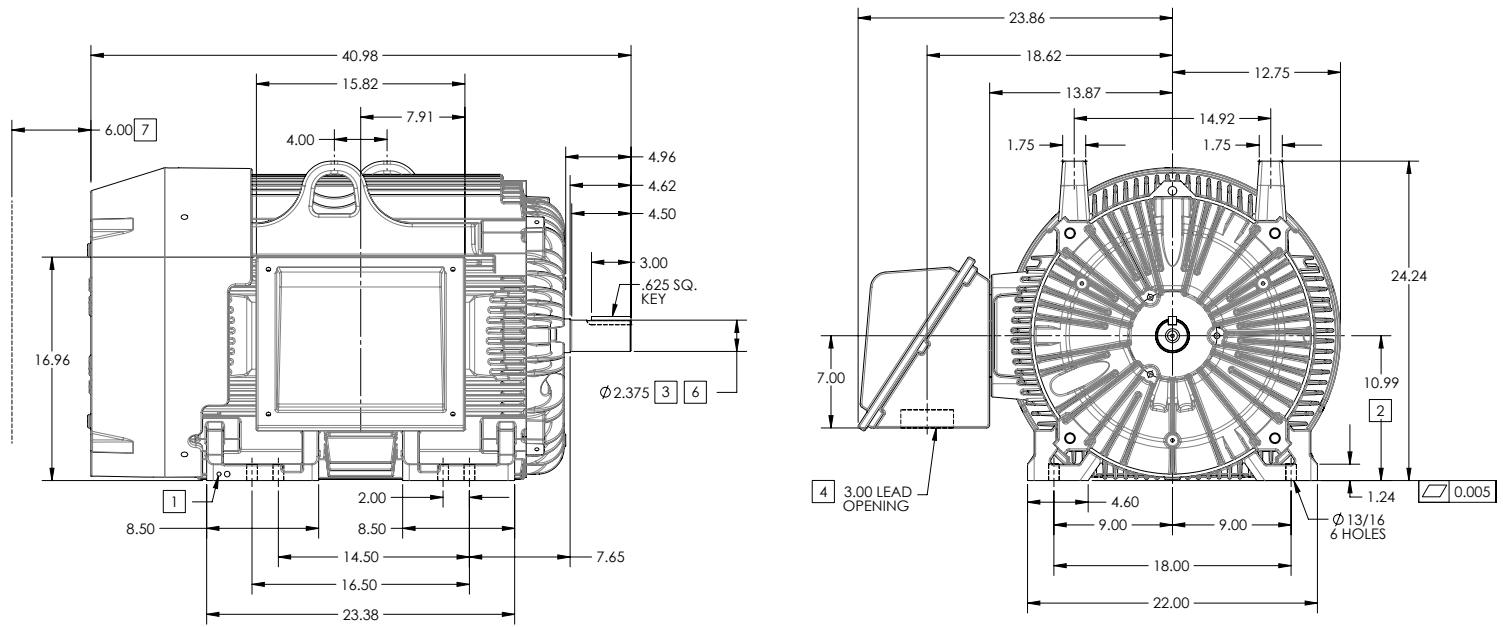
FRAME G445TS ABOVE NEMA RATINGS

COOLING: FAN COOLED

MOUNTING: FOOT

INCLUDES 444TS FRAME MOUNTING HOLES

841XL ENCLOSURE ENHANCEMENT



- 1. GROUND HOLES QTY 1 1/2-13 TAP; QTY 1 3/8-16 TAP
- 2. VARIES +.00,-.06
- 3. VARIES +.00,-.001
- 4. ON STANDARD MOTORS THIS IS CONDUIT SIZE. ON XT AND CORROSION PROOF MOTOR THIS IS PIPE TAP.
- 5. MOTOR WEIGHTS MAY VARY BY 15% DEPENDING ON RATING.
- 6. SHAFT TIR = 0.0015IN FOR BALL BEARING MOTORS AND 0.002IN FOR ROLLER BEARING CONSTRUCTION
- 7. OBSTRUCTION MUST NOT ENCROACH ON AIR INLET

[5] WEIGHT (LBS): 2100

DRIVE END AIR DEFLECTOR IS ONLY INCLUDED WHEN NECESSARY.

DIMENSIONS ARE IN INCHES; SEE SHEET 2 FOR DIMENSIONS IN MILLIMETERS

CUSTOMER IS RESPONSIBLE FOR DETERMINING THAT MOTOR PERFORMANCE IS SUITABLE IN THE APPLICATION.

CONDUIT BOX LOCATED ON OPPOSITE SIDE WHEN F-2. IF MOUNTING CLEARANCE DETAILS ARE REQUIRED, CONSULT FACTORY. MAXIMUM PERMISSIBLE SHAFT RUNOUT WHEN MEASURED AT END OF STANDARD SHAFT EXTENSION IS .003" T.I.R. TO 5 INCH DIA.

SHEET NUMBER
1 OF 2
P907-064

| | | | |
|------------|-------------|------------------------------|-------------------|
| REV. D | VERSION: 04 | REVISED: 08-29-51 01/16/2014 | TDR: 000000834927 |
| MODEL NO. | 617427-064 | REF: | |
| BY: RAGSSI | Material: | | |

BALDOR
G445TS-444TS STD - FOOTED - SIDE-CENTER C.B. - 841XL

617427-064

DUTY MASTER ALTERNATING CURRENT MOTORS

SQUIRREL-CAGE INDUCTION

ENCLOSURE: TOTALLY ENCLOSED

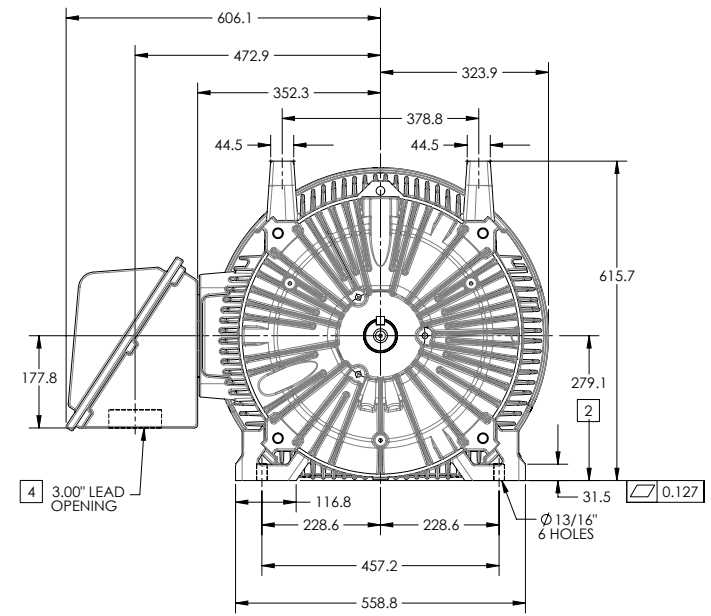
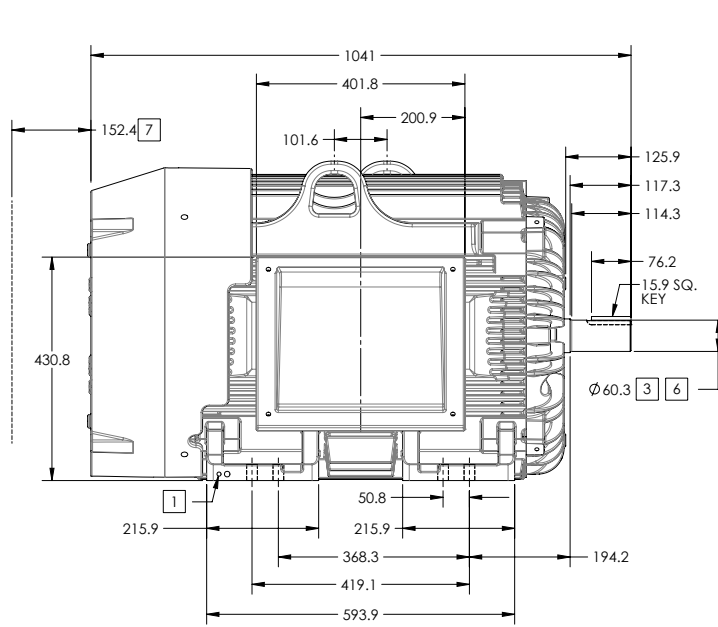
FRAME G445TS ABOVE NEMA RATINGS

COOLING: FAN COOLED

MOUNTING: FOOT

INCLUDES 444TS FRAME MOUNTING HOLES

841XL ENCLOSURE ENHANCEMENT



1. GROUND HOLES QTY 1 1/2-13 TAP; QTY 1 3/8-16 TAP
2. VARIES +.00,-.06
3. VARIES +.00,-.001
4. ON STANDARD MOTORS THIS IS CONDUIT SIZE. ON XT AND CORROSION PROOF MOTOR THIS IS PIPE TAP.
5. MOTOR WEIGHTS MAY VARY BY 15% DEPENDING ON RATING.
6. SHAFT TIR = 0.038MM FOR BALL BEARING MOTORS AND 0.051MM FOR ROLLER BEARING CONSTRUCTION
7. OBSTRUCTION MUST NOT ENCR OACH ON AIR INLET

CONDUIT BOX LOCATED ON OPPOSITE SIDE WHEN F-2. IF MOUNTING CLEARANCE DETAILS ARE REQUIRED, CONSULT FACTORY. MAXIMUM PERMISSIBLE SHAFT RUNOUT WHEN MEASURED AT END OF STANDARD SHAFT EXTENSION IS .08 MM T.I.R. TO 127 MM DIA.

[5] WEIGHT (KGS): 950

DRIVE END AIR DEFLECTOR IS ONLY INCLUDED WHEN NECESSARY.

DIMENSIONS ARE IN MILLIMETERS; SEE SHEET 1 FOR DIMENSIONS IN INCHES

CUSTOMER IS RESPONSIBLE FOR DETERMINING THAT MOTOR PERFORMANCE IS SUITABLE IN THE APPLICATION.

SHEET NUMBER
2 OF 2

F907-27-064

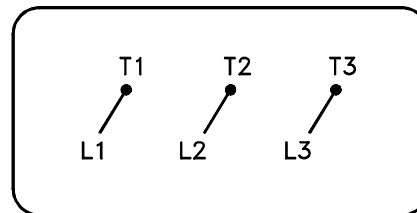
| | | | |
|------------|-------------|------------------------------|------------------|
| REV. D | VERSION: 04 | REVISED: 08-29-51 01/16/2014 | TDR: 00000834927 |
| MODEL NO. | 617427-064 | REF: | |
| BY: RAGSSI | Material: | | |

BALDOR
G445TS-444TS STD - FOOTED - SIDE-CENTER C/B - 841XL

617427-064

416820-036

A-C MOTOR
 CONNECTION DIAGRAM
 STANDARD 3 LEAD CONNECTED



(N.P. 1575-BA)

416820-036

| | | |
|--------------------------------------|------------------------------|-------------------|
| REV. DESC: LOADED TO BUS, C/R 335225 | | |
| REV. LTR: - | VERSION: 00 | TDR: 000000538207 |
| FILE: \MGA\00000\682 | REVISED: 11:54:06 04/30/2010 | |
| MTL: - | BY: RAGRA | |

BALDOR

CONN DIAG - STANDARD 3 LEAD

SH 1 of 1

Marketing maintained PDF of MN408:

<http://www.baldor.com/support/Literature/Load.ashx/MN408?ManNumber=MN408>

Marketing maintained PDF of MN416:

<http://www.baldor.com/support/Literature/Load.ashx/MN416?ManNumber=MN416>