

# **BALDOR**® • ***RELIANCE***

## **Product Information Packet**

# **EJMM3613T-5**

**5HP,3450RPM,3PH,60HZ,184JM,3630M,TEFC,F1**

Part Detail							
Revision:	B	Status:	PRD/A	Change #:		Proprietary:	No
Type:	AC	Prod. Type:	3630M	Elec. Spec:	36WGS505	CD Diagram:	CD0006
Enclosure:	TEFC	Mfg Plant:		Mech. Spec:	36H017	Layout:	36LYH017
Frame:	184JM	Mounting:	F1	Poles:	02	Created Date:	08-17-2015
Base:	RG	Rotation:	R	Insulation:	F	Eff. Date:	09-01-2016
Leads:	3#16					Replaced By:	
Literature:		Elec. Diagram:					

<b>Nameplate NP3441L</b>										
CAT.NO.	EJMM3613T-5									
SPEC.	36H017S505G2									
HP	5									
VOLTS	575									
AMP	4.7									
RPM	3450									
FRAME	184JM				HZ	60			PH	3
SER.F.	1.15		CODE	L	DES	A		CL	F	
NEMA-NOM-EFF	88.5		PF	91						
RATING	40C AMB-CONT									
CC	010A				USABLE AT 208V					
DE	6207				ODE	6205				
ENCL	TEFC		SN							
VPWM INVERTER READY										
CT6-60H(10:1)VT3-60H(20:1)										

Parts List		
Part Number	Description	Quantity
SA306460	SA 36H017S505G2	1.000 EA
RA293705	RA 36H017S505G2	1.000 EA
34FN3002B02	EXTERNAL FAN, PLASTIC, .905/.907 HUB W/	1.000 EA
36CB3004	36 CB CASTING W/1.09 DIA LEAD HOLE @ 6:0	1.000 EA
36GS1000SP	GASKET-CONDUIT BOX, .06 THICK #SV-330 LE	1.000 EA
51XB1016A08	10-16X 1/2HXWSSLD SERTYB	2.000 EA
11XW1032G06	10-32 X .38, TAPTITE II, HEX WSHR SLTD U	1.000 EA
HW3001B01	BRASS CUP WASHER, FOR #8 SCREW	1.000 EA
36FE3104A04	FR ENDPLATE, FOR ROUTING	1.000 EA
HW4500A01	1641B(ALEMITE)400 UNIV, GREASE FITT	1.000 EA
HW4500A17	317400 ALEMITE GREASE RELIEF	1.000 EA
HW5100A05	WVY WSHR F/205 & 304 BRGS	1.000 EA
36PE3405T03	PUEP ASSEMBLY FOR ROUTING PURPOSES	1.000 EA
HW4500A01	1641B(ALEMITE)400 UNIV, GREASE FITT	1.000 EA
HW4500A17	317400 ALEMITE GREASE RELIEF	1.000 EA
10XN2520A24	1/4-20X 1 1/2 HEX HD X	4.000 EA
HW1001A25	LOCKWASHER 1/4, ZINC PLT .493 OD, .255 I	4.000 EA
51XB1214A16	12-14X1.00 HXWSSLD SERTYB	1.000 EA
36FH4009A103	IEC FH GREASER W/PRIMER	1.000 EA
51XW1032A06	10-32 X .38, TAPTITE II, HEX WSHR SLTD S	3.000 EA
36CB4516	36 LIPPED CB LID	1.000 EA
37GS1001SP	GASKET, CONDUIT BOX LID, .06 THICK LEXID	1.000 EA
51XW0832A07	8-32 X .44, TAPTITE II, HEX WSHR SLTD SE	4.000 EA
HA1005A07	SLINGER, OD 2.25, ID 1.344, 307 BRG	1.000 EA

<b>Parts List (continued)</b>		
<b>Part Number</b>	<b>Description</b>	<b>Quantity</b>
HW2501D13	KEY, 3/16 SQ X 1.375	1.000 EA
HA7000A01	KEY RETAINER 7/8" DIA SHAFT	1.000 EA
85XU0407S04	4X1/4 U DRIVE PIN STAINLESS	2.000 EA
MJ1000A02	GREASE, POLYREX EM EXXON (USe 4824-15A)	0.050 LB
MG1000Y03	MUNSELL 2.53Y 6.70/ 4.60, GLOSS 20,	0.022 GA
HA3101A25	THRUBOLT 1/4-20 X 11.000 OHIO ROD	4.000 EA
LB1119N	WARNING LABEL	1.000 EA
LC0006	CONNECTION LABEL	1.000 EA
NP3441L	ALUM SUPER-E VPWM INVERTER READY UL	1.000 EA
G7PA1000	PKG GRP, PRINT PK1034A06	1.000 EA
MN416A01	TAG-INSTAL-MAINT no wire (1000/bx) 11/14	1.000 EA

**AC Induction Motor Performance Data**

Record # 31109 - Typical performance - not guaranteed values

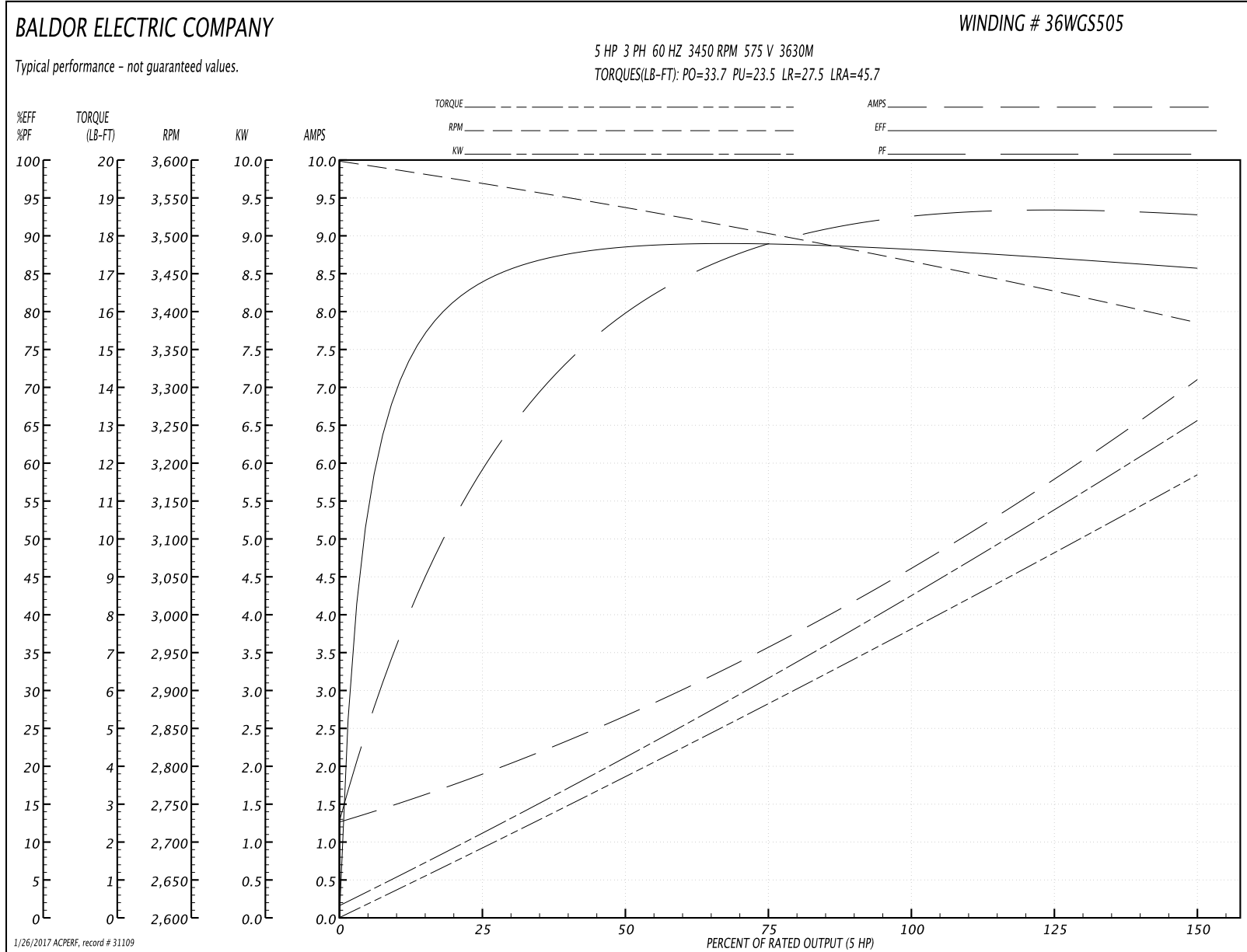
<b>Winding:</b> 36WGS505-R001	<b>Type:</b> 3630M	<b>Enclosure:</b> TEFC
-------------------------------	--------------------	------------------------

Nameplate Data				575 V, 60 Hz: Single Voltage Motor	
Rated Output (HP)	5			Full Load Torque	7.64 LB-FT
Volts	575			Start Configuration	direct on line
Full Load Amps	4.7			Breakdown Torque	33.7 LB-FT
R.P.M.	3450			Pull-up Torque	23.5 LB-FT
Hz	60	Phase	3	Locked-rotor Torque	27.5 LB-FT
NEMA Design Code	A	KVA Code	L	Starting Current	45.7 A
Service Factor (S.F.)	1.15			No-load Current	1.34 A
NEMA Nom. Eff.	88.5	Power Factor	91	Line-line Res. @ 25°C	3.57 Ω
Rating - Duty	40C AMB-CONT			Temp. Rise @ Rated Load	72°C
S.F. Amps				Temp. Rise @ S.F. Load	88°C
				Locked-rotor Power Factor	45
				Rotor inertia	0.134 LB-FT <sup>2</sup>

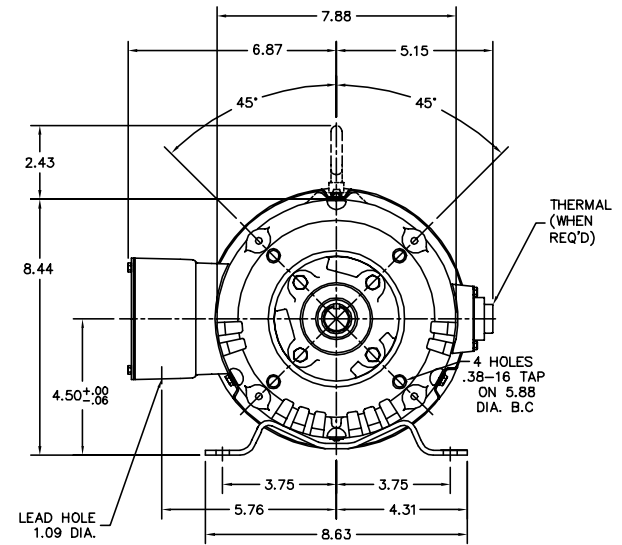
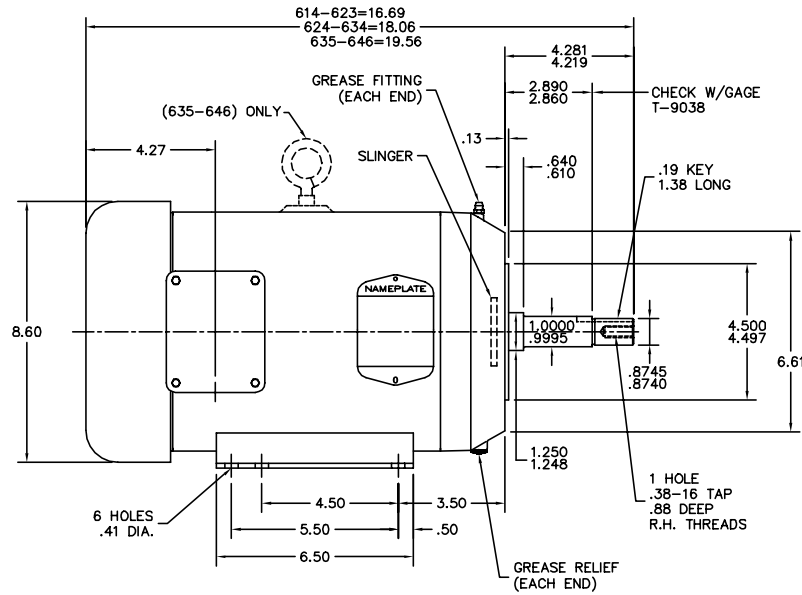
Load Characteristics 575 V, 60 Hz, 5 HP

% of Rated Load	25	50	75	100	125	150	S.F.
Power Factor	63	81	88	91	93	93	92
Efficiency	83.2	88.4	89.1	88.5	87	85.7	87.5
Speed	3569	3537	3504	3466	3428	3385	3443
Line amperes	1.79	2.61	3.58	4.68	5.81	7.05	5.36

Performance Graph at 575V, 60Hz, 5.0HP Typical performance - Not guaranteed values



36LYH017



CUSTOMER IS RESPONSIBLE FOR DETERMINING THAT MOTOR PERFORMANCE IS SUITABLE IN THE APPLICATION.

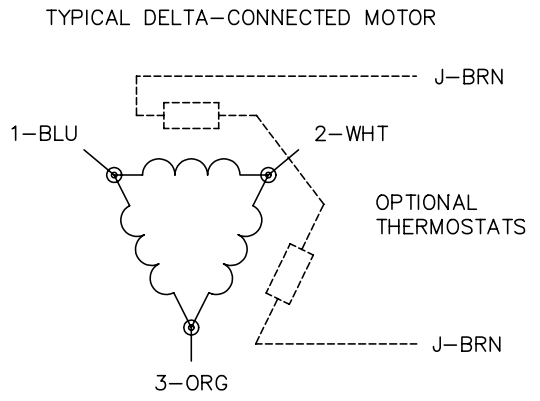
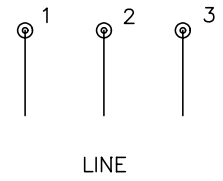
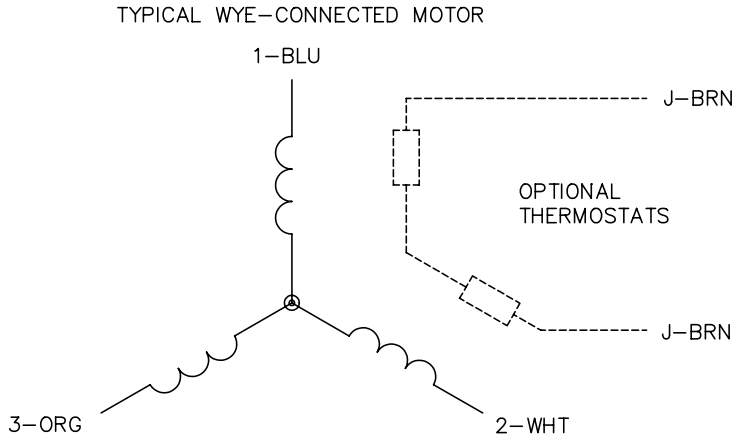
REV. DESC: ADDED KOBX LEAD HOLE DIM			
REV. LTR: M	BY: RMP	REVISED: 07:25:39 09/09/2004	TDR: 342770
FILE: AAA00004174		REF: 36LYH017	
MTL: -			

**BALDOR ELECTRIC Co.**

STD HORZ 182-4JM TEFC 36M

36LYH017

CD0006



- NOTES:
1. THREE LEAD MOTOR MAY BE EITHER WYE CONNECTED OR DELTA CONNECTED.
  2. INTERCHANGE ANY TWO LINE LEADS TO REVERSE ROTATION.
  3. OPTIONAL THERMOSTATS ARE PROVIDED WHEN SPECIFIED.
  4. ACTUAL NUMBER OF INTERNAL PARALLEL CIRCUITS MAY VARY.
  5. LEAD COLORS ARE OPTIONAL. LEADS MUST BE NUMBERED AS SHOWN.

REV. DESC: REVISE TO SHOW OPTIONAL COLORS			
REV. LTR: D	BY: JLP	REVISED: 01/21/99 4:02	TDR: 0171435
9000D		FILE: AAA00005141	MDL: -
		MTL: -	

**BALDOR ELECTRIC Co.**

3PH, SV, 3 LEADS, WYE OR DELTA CONNECTED

CD0006