

BALDOR® • RELIANCE

Product Information Packet

EM2563T-4

200HP, 1780RPM, 3PH, 60HZ, 445T, 1880M, OPEN

Part Detail							
Revision:	F	Status:	PRD/A	Change #:		Proprietary:	No
Type:	AC	Prod. Type:	A44072M	Elec. Spec:	A44WG1483	CD Diagram:	416820-008
Enclosure:	DP	Mfg Plant:		Mech. Spec:		Layout:	616508-006
Frame:	445T	Mounting:	F1	Poles:	04	Created Date:	10-19-2010
Base:		Rotation:	R	Insulation:	F	Eff. Date:	09-26-2016
Leads:	6#1					Replaced By:	
Literature:		Elec. Diagram:					

Nameplate NP2377L									
CAT.NO.	EM2563T-4	SPEC NO.	P44G1774						
HP	200	AMPS	222	VOLTS	460	DESIGN	B		
FRAME	445T	RPM	1785	HZ	60	AMB	40	SF	1.15
DRIVE END BEARING	90BC03J30X	PHASE	3	DUTY	CONT	INSUL.CLASS	F		
OPP D.E. BEARING	90BC03J30X	TYPE	P	ENCL	DP	CODE	F		
SER.NO.		POWER FACTOR	88	NEMA-NOM-EFFICIENCY	95.8				
				MAX CORR KVAR	35.0	GUARANTEED EFFICIENCY	95.4		
				NEMA NOM/CSA QUOTED EFF					
				MOTOR WEIGHT	1625				

Parts List		
Part Number	Description	Quantity
SA207133	SA P44G1774	1.000 EA
RA194400	RA P44G1774	1.000 EA
000613006PU	N/P (RELEASE QTY 10,000) UL CSA LABEL	1.000 EA
000692000VD	LABEL WARNING	1.000 EA
NP2377L	SS SUPER-E CC CSA-C US CSA-EEV (LASER)	1.000 EA
421948044	LABEL, MYLAR	1.000 EA
004824015A	GREASE POLYREX EM	1.156 LB
032018005AK	HHCS 1/4-20X5/8 PLATED	4.000 EA
032018028EK	HHCS 5/8-11X3-1/2L PLTD	4.000 EA
032018036DK	HHCS 1/2-13X4-1/2 PLTD.	3.000 EA
034000012AB	WSHR 1/4 STD. PLATED	4.000 EA
034017012AB	LCKW 1/4 STD. PLATED	4.000 EA
034600001AA	BUSH 1/4TO1/8 BLACK	1.000 EA
035000001G	GREASE RELIEF FITTING, ALEMITE 317400	1.000 EA
089439051A	BRKT 440 089439051WCB	1.000 EA
089439051A	BRKT 440 089439051WCB	1.000 EA
410700004A	WSHR	1.000 EA
702611001A	BAFFL 440 SUB PAINT	1.000 EA
032018005AK	HHCS 1/4-20X5/8 PLATED	4.000 EA
032018028EK	HHCS 5/8-11X3-1/2L PLTD	4.000 EA
032018036DK	HHCS 1/2-13X4-1/2 PLTD.	3.000 EA
034000012AB	WSHR 1/4 STD. PLATED	4.000 EA
034017012AB	LCKW 1/4 STD. PLATED	4.000 EA
034600001AA	BUSH 1/4TO1/8 BLACK	1.000 EA

Parts List (continued)		
Part Number	Description	Quantity
035000001G	GREASE RELIEF FITTING, ALEMITE 317400	1.000 EA
032018008BK	HHCS 5/16-18X1L PLATED	4.000 EA
032018008DK	HHCS 1/2-13X1 PLATED	4.000 EA
033512006LB	HHTTS 1/4-20X3/4 PLTD.	1.000 EA
035000001A	ALFTG 1/8" 1610-BL	1.000 EA
035000001A	ALFTG 1/8" 1610-BL	1.000 EA
048897010DJ	BUSH - 445	1.000 EA
067053001C	GASK 440	1.000 EA
076863000C	+CBCST BLKT - 440	1.000 EA
076864000A	CB CVRCST BLKT - 440	1.000 EA
406056007A	GASKET, 440	1.000 EA
415000103D	T/LUG #4AWG-1/0AWG W/HOLE FOR .250 BOLT	1.000 EA
418150003A	GREASE FITTING CAP	1.000 EA
418150003A	GREASE FITTING CAP	1.000 EA
415045002A	SLGR	1.000 EA
702611001A	BAFFL 440 SUB PAINT	1.000 EA
MG1000Y03	MUNSELL 2.53Y 6.70/ 4.60, GLOSS 20,	0.250 GA
033775004EA	DRSCR #6-1/4 304 S.S.	2.000 EA
034180054KA	KEY 7/8X7/8X6-3/4 L	1.000 EA
PK5004A09	BASE 48 X 39-1/4 STACK 2 X 4 RUUNER	1.000 EA

REL. S.O.	FRAME	HP	TYPE	PHASE/HERTZ	RPM	VOLTS
	445T	200	P	3/60	1785	460
AMPS	DUTY	AMB °C/ INSUL.	S.F.	NEMA DESIGN	CODE LETTER	ENCL.
222	CONT	40/F	1.15	B	F	DP
E/S	ROTOR	TEST S.O.	TEST DATE	STATOR RES. @25 °C (BETWEEN LINES)		
599694	418143042TE	---	---	.0238		

PERFORMANCE						
LOAD	HP	AMPERES	RPM	POWER FACTOR %	EFFICIENCY %	
NO LOAD	0	58.9	1800	4.10	0	
1/4	50.1	79.2	1796	62.6	94.4	
2/4	100	119	1792	81.8	96.2	
3/4	150	168	1788	86.7	96.3	
4/4	200	222	1784	87.8	96.0	
5/4	250	279	1779	88.0	95.5	

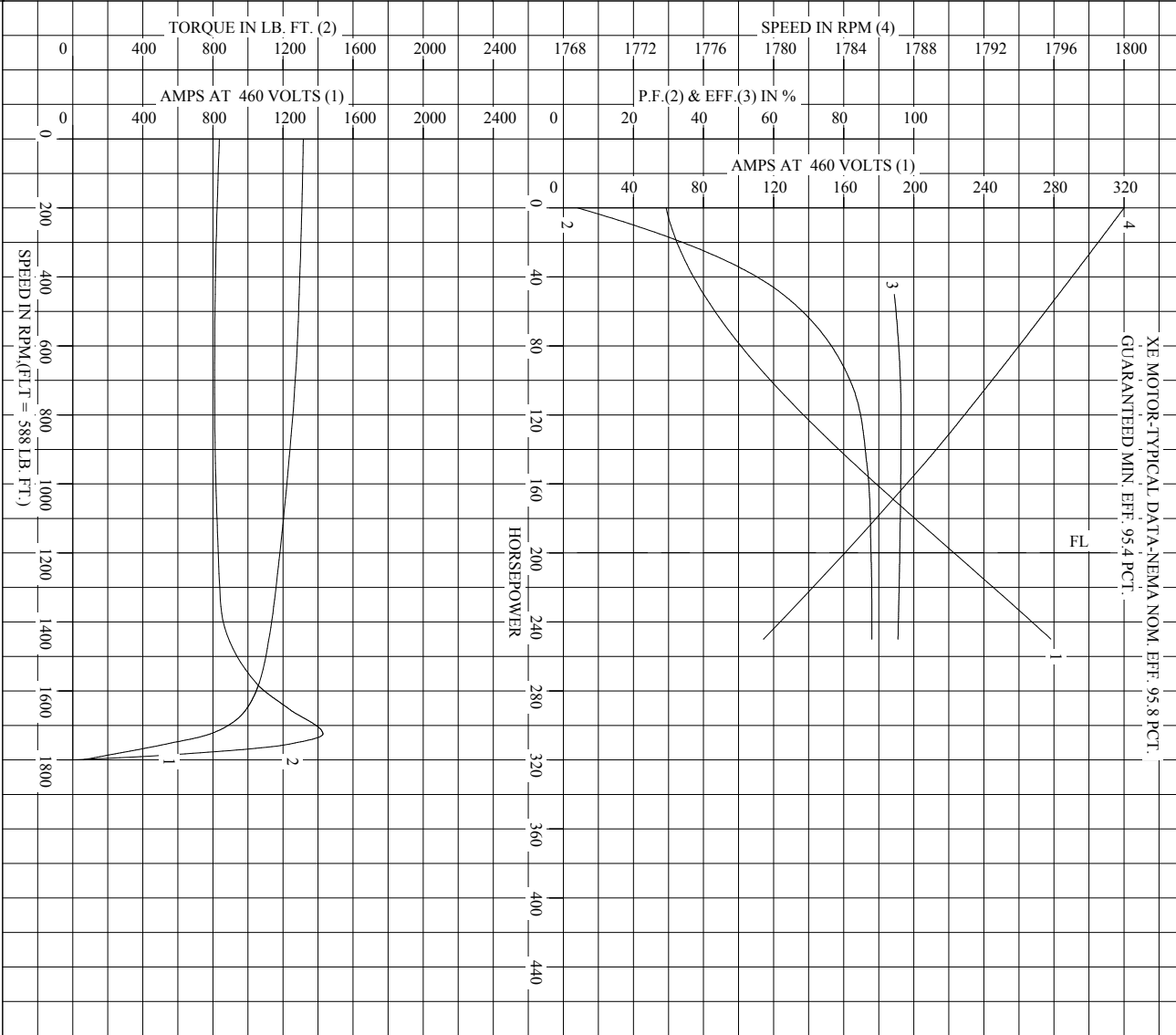
SPEED TORQUE						
	RPM	TORQUE % FULL LOAD	TORQUE LB.-FT.	AMPERES		
LOCKED ROTOR	0	142	837	1316		
PULL UP	700	138	810	1270		
BREAKDOWN	1725	243	1428	781		
FULL LOAD	1784	100	588	222		

AMPERES SHOWN FOR 460. VOLT CONNECTION. IF OTHER VOLTAGE CONNECTIONS ARE AVAILABLE, THE AMPERES WILL VARY INVERSELY WITH THE RATED VOLTAGE

REMARKS: TYPICAL DATA
 XE MOTOR-TYPICAL DATA-NEMA NOM. EFF. 95.8 PCT.
 GUARANTEED MIN. EFF. 95.4 PCT.

BALDOR	DR. BY J.J.HARRISON	A-C MOTOR PERFORMANCE DATA
	CK. BY W.L. SMITH	
	APP. BY W.L. SMITH	
DATE 10/19/09	ISSUE DATE 12/18/10	

REL. S.O. _____ RPM 1785 S.F. 1.15 ROTOR 418143042TE
 FRAME 445T VOLTS 460 NEMA DESIGN B TEST S.O. TYPICAL DATA
 HP 200 AMPS 222 CODE LETTER F TEST DATE ---
 TYPE P DUTY CONT ENCLOSURE DP STATOR RES. @ 25 °C .0238
 PHASE/HERTZ 3/60 AMB °C/INSUL 40/F E/S 599694 OHMS (BETWEEN LINES)

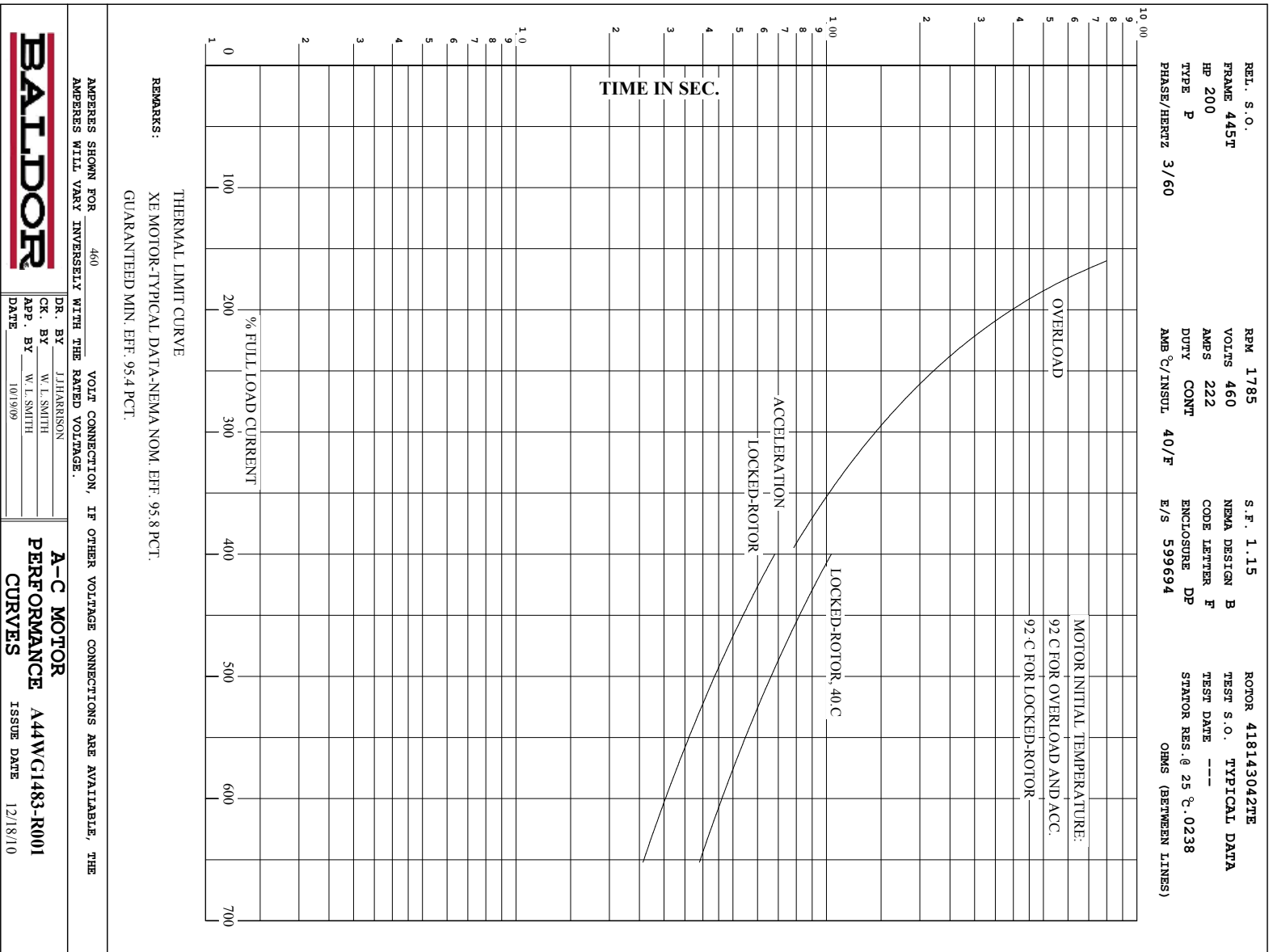


AMPERES SHOWN FOR _____ 460 VOLT CONNECTION, IF OTHER VOLTAGE CONNECTIONS ARE AVAILABLE, THE AMPERES WILL VARY INVERSELY WITH THE RATED VOLTAGE.

BALDOR
 DR. BY J.J. HARRISON
 CK. BY W.L. SMITH
 APP. BY W.L. SMITH
 DATE 10/9/09

A-C MOTOR PERFORMANCE CURVES
 A44WG1483-R001
 ISSUE DATE 12/18/10

Printed on 12/18/10 5:57 @ psecs-motoreng



616508-006

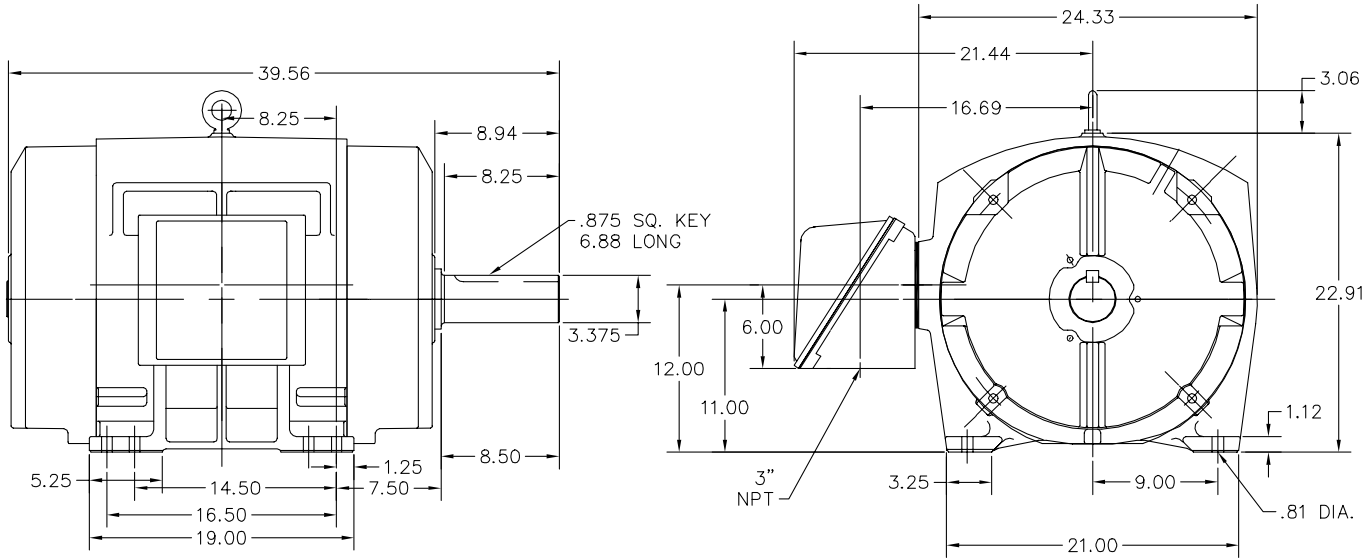
DUTY MASTER ALTERNATING CURRENT MOTORS

SQUIRREL-CAGE INDUCTION

ENCLOSURE: PROTECTED
MOUNTING: FOOT

COOLING: SELF-VENTILATED

FRAMES 444T THRU 445T



NOTES:
SCALE DWG. FOR COMPLETE DIMENSIONS
SEE DS 611750-501

FRAME— _____ TYPE— _____ CERTIFIED FOR— _____
ORDER— _____ ITEM— _____ HP— _____ RPM— _____
SALES ORDER— _____ APPROVED BY— _____ DATE— _____
CUSTOMER IS RESPONSIBLE FOR DETERMINING THAT BALDOR'S PRODUCT WILL PERFORM SUITABLY IN THE INTENDED APPLICATION.

REV. DESC: LOADED TO BUS		
REV. LTR: A	VERSION: 01	TDR: 000000557201
FILE: \RAG\00010\520	REVISED: 11:22:31 09/08/2010	BY: RAGRA
MTL: -		

BALDOR
DIM SHT 444T-445T ODP FT
SH 1 of 1

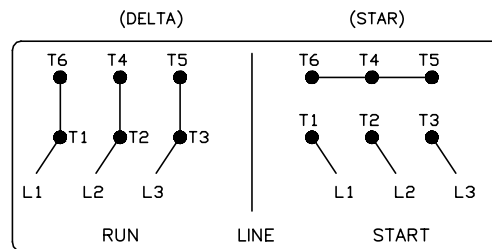
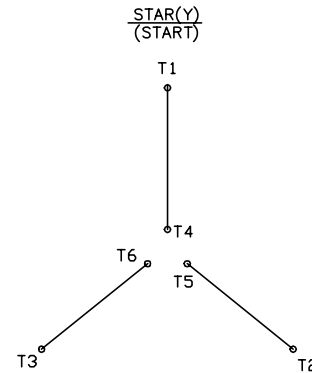
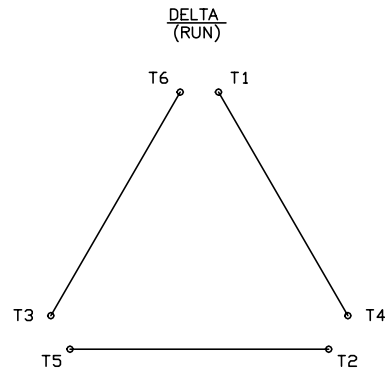
616508-006

416820-008

A-C MOTOR CONNECTION DIAGRAM

STANDARD 6 LEAD

Y START - DELTA RUN



< N. P. 1767-DC >

416820-008

REV. DESC: ADDED T4 TO Y CONNECT DIAGRAM		
REV. LTR: D	VERSION: 04	TDR: 000000847713
FILE: \RAG\00001\808	REVISED: 10: 41: 26 04/08/2014	BY: RAGJSS1
MTL: -	Ⓢ □	



CONNECT DIAGRAM STD 6 LEAD Y START DELTA RUN

SH 1 of 1

Marketing maintained PDF of MN408:

<http://www.baldor.com/support/Literature/Load.ashx/MN408?ManNumber=MN408>

Marketing maintained PDF of MN416:

<http://www.baldor.com/support/Literature/Load.ashx/MN416?ManNumber=MN416>