

# **BALDOR**® • ***RELIANCE***

## **Product Information Packet**

# **EM2564T-4**

**200HP,1190RPM,3PH,60HZ,447T,18112M,OPEN**

Part Detail							
Revision:	K	Status:	PRD/A	Change #:		Proprietary:	No
Type:	AC	Prod. Type:	A44090M	Elec. Spec:	A44WG1523	CD Diagram:	416820-008
Enclosure:	DP	Mfg Plant:		Mech. Spec:		Layout:	616508-283
Frame:	447T	Mounting:	F1	Poles:	06	Created Date:	10-19-2010
Base:		Rotation:	R	Insulation:	F	Eff. Date:	09-26-2016
Leads:	6#1					Replaced By:	
Literature:		Elec. Diagram:					

Nameplate NP2377L									
CAT.NO.	EM2564T-4	SPEC NO.	P44G4512						
HP	200	AMPS	232	VOLTS	460	DESIGN	B		
FRAME	447T	RPM	1190	HZ	60	AMB	40	SF	1.15
DRIVE END BEARING	90BC03J30X	PHASE	3	DUTY	CONT	INSUL.CLASS	F		
OPP D.E. BEARING	90BC03J30X	TYPE	P	ENCL	DP	CODE	F		
SER.NO.		POWER FACTOR	84	NEMA-NOM-EFFICIENCY	95.4				
		MAX CORR KVAR	40.0	GUARANTEED EFFICIENCY	94.5				
		NEMA NOM/CSA QUOTED EFF							
		MOTOR WEIGHT	1827						

Parts List		
Part Number	Description	Quantity
SA209272	SA P44G4512	1.000 EA
RA196534	RA P44G4512	1.000 EA
000613006PU	N/P (RELEASE QTY 10,000) UL CSA LABLE	1.000 EA
000692000FF	N/P	1.000 EA
000692000VD	LABEL WARNING	1.000 EA
NP2377L	SS SUPER-E CC CSA-C US CSA-EEV (LASER)	1.000 EA
421948044	LABEL, MYLAR	1.000 EA
004824015A	GREASE POLYREX EM	1.156 LB
032018005AK	HHCS 1/4-20X5/8 PLATED	4.000 EA
032018028EK	HHCS 5/8-11X3-1/2L PLTD	4.000 EA
032018036DK	HHCS 1/2-13X4-1/2 PLTD.	3.000 EA
034000012AB	WSHR 1/4 STD. PLATED	4.000 EA
034017012AB	LCKW 1/4 STD. PLATED	4.000 EA
034600001AA	BUSH 1/4TO1/8 BLACK	1.000 EA
035000001G	GREASE RELIEF FITTING, ALEMITE 317400	1.000 EA
089439051A	BRKT 440 089439051WCB	1.000 EA
418151014G	RETAIN RING	1.000 EA
089439051A	BRKT 440 089439051WCB	1.000 EA
702611001A	BAFFL 440 SUB PAINT	1.000 EA
032018005AK	HHCS 1/4-20X5/8 PLATED	4.000 EA
032018028EK	HHCS 5/8-11X3-1/2L PLTD	4.000 EA
032018036DK	HHCS 1/2-13X4-1/2 PLTD.	3.000 EA
034000012AB	WSHR 1/4 STD. PLATED	4.000 EA
034017012AB	LCKW 1/4 STD. PLATED	4.000 EA

<b>Parts List (continued)</b>		
<b>Part Number</b>	<b>Description</b>	<b>Quantity</b>
034600001AA	BUSH 1/4TO1/8 BLACK	1.000 EA
035000001G	GREASE RELIEF FITTING, ALEMITE 317400	1.000 EA
410700004A	WSHR	1.000 EA
702611001A	BAFFL 440 SUB PAINT	1.000 EA
032018008DK	HHCS 1/2-13X1 PLATED	4.000 EA
033512004LB	HHTTS 1/4-20X1/2 PLTD.	1.000 EA
033512006LB	HHTTS 1/4-20X3/4 PLTD.	8.000 EA
035000001A	ALFTG 1/8" 1610-BL	1.000 EA
035000001A	ALFTG 1/8" 1610-BL	1.000 EA
048897010DJ	BUSH - 445	1.000 EA
406056008A	GASKET, TERBD 440	1.000 EA
415000103D	T/LUG #4AWG-1/0AWG W/HOLE FOR .250 BOLT	1.000 EA
418150003A	GREASE FITTING CAP	1.000 EA
418150003A	GREASE FITTING CAP	1.000 EA
418153001A	GASK 440	1.000 EA
702658001B	+C/BOX, PAINTED 440	1.000 EA
702658002A	+C/BOX CVR, PAINTED 440	1.000 EA
MG1000Y03	MUNSELL 2.53Y 6.70/ 4.60, GLOSS 20,	0.375 GA
033775004EA	DRSCR #6-1/4 304 S.S.	2.000 EA
034180054KA	KEY 7/8X7/8X6-3/4 L	1.000 EA

REL. S.O.	FRAME	HP	TYPE	PHASE/HERTZ	RPM	VOLTS
	447T	200	P	3/60	1190	460
AMPS	DUTY	AMB °C/ INSUL.	S.F.	NEMA DESIGN	CODE LETTER	ENCL.
232	CONT	40/F	1.15	B	F	PROT
E/S	ROTOR	TEST S.O.	TEST DATE	STATOR RES. @25 °C (OHMS (BETWEEN LINES))		
401620	418143-81-CE	---	---	.0268		

PERFORMANCE						
LOAD	HP	AMPERES	RPM	POWER FACTOR %	EFFICIENCY %	
NO LOAD	0	86.5	1200	3.27	0	
1/4	50.1	102	1197	49.0	93.7	
2/4	100	137	1194	71.5	95.7	
3/4	150	182	1191	80.7	95.9	
4/4	200	232	1188	84.5	95.5	
5/4	250	287	1184	85.7	95.0	

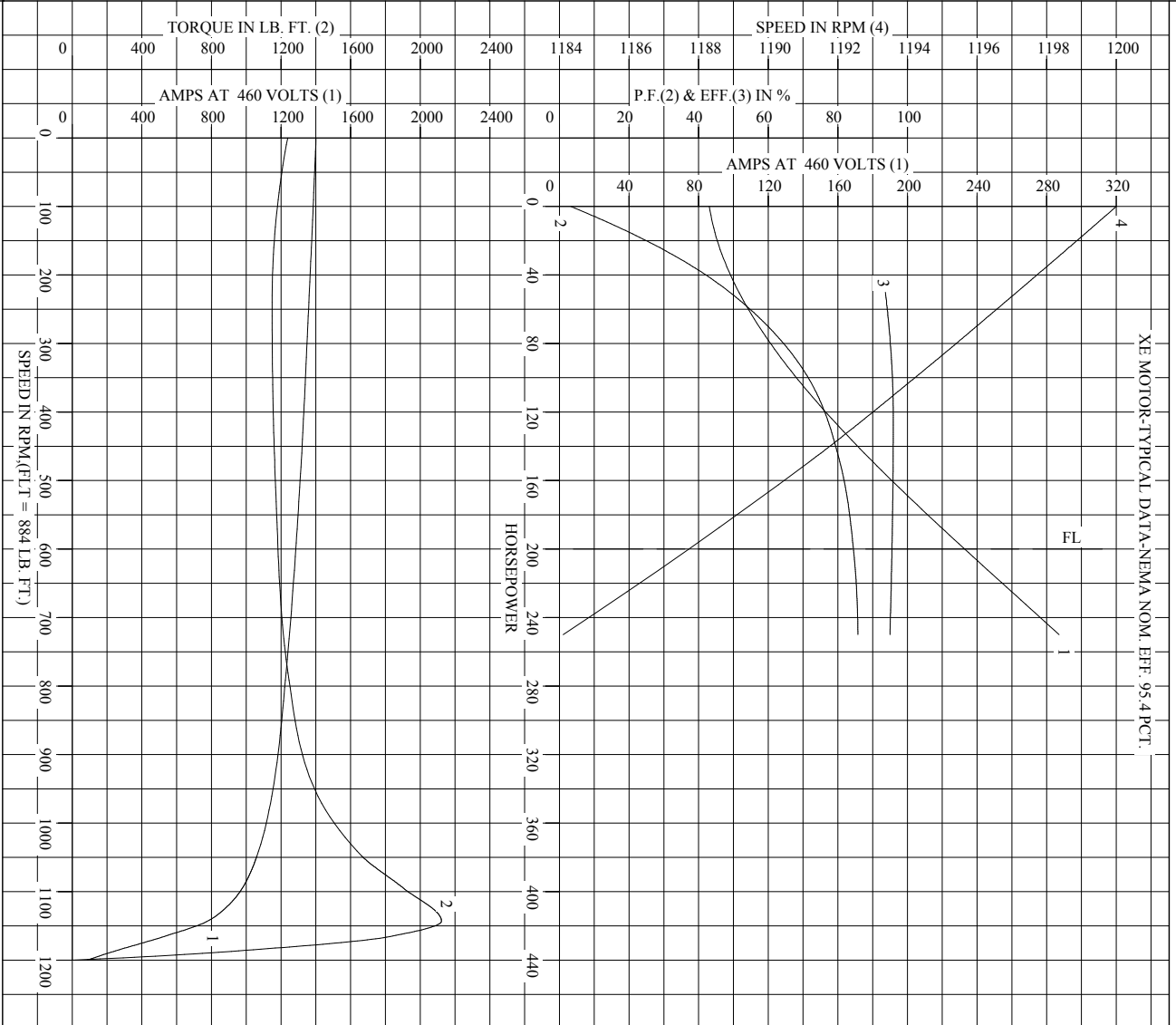
SPEED TORQUE						
	RPM	TORQUE % FULL LOAD	TORQUE LB.-FT.	AMPERES		
LOCKED ROTOR	0	140	1238	1401		
PULL UP	240	130	1149	1360		
BREAKDOWN	1143	240	2122	778		
FULL LOAD	1188	100	884	232		

AMPERES SHOWN FOR 460. VOLT CONNECTION. IF OTHER VOLTAGE CONNECTIONS ARE AVAILABLE, THE AMPERES WILL VARY INVERSELY WITH THE RATED VOLTAGE

REMARKS: TYPICAL DATA  
 XE MOTOR-TYPICAL DATA-NEMA NOM. EFF. 95.4 PCT.

<b>BALDOR</b>	DR. BY C.R. THOMPSON	<b>A-C MOTOR</b>	
	CK. BY K.W. KANOUFF		<b>PERFORMANCE DATA</b>
	APP. BY K.W. KANOUFF		ISSUE DATE 12/18/10
DATE 12/20/95			

REL. S. O.	447T	RPM	1190	S.F.	1.15	ROTOR	418143-81-CE
FRAME	200	VOLTS	460	NEMA DESIGN	B	TEST S. O.	TYPICAL DATA
HP	200	AMPS	232	CODE LETTER	F	TEST DATE	---
TYPE	P	DUTY CONT		ENCLOSURE PROT		STATOR RES. @ 25 °C	.0268
PHASE/HERTZ	3/60	AMB °C/INSUL	40/F	E/S	401620	OHMS (BETWEEN LINES)	

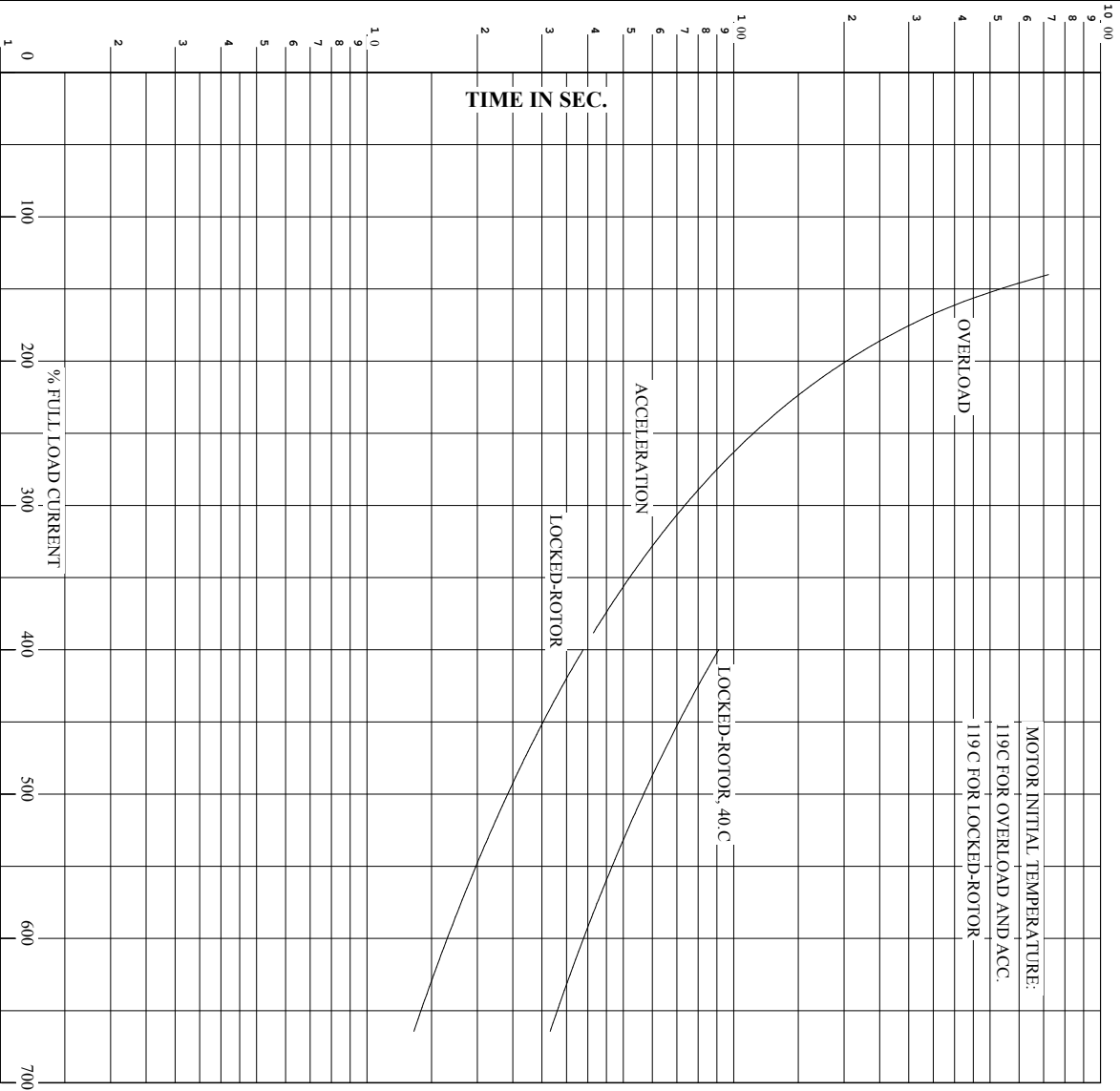


AMPERES SHOWN FOR 460 VOLT CONNECTION, IF OTHER VOLTAGE CONNECTIONS ARE AVAILABLE, THE AMPERES WILL VARY INVERSELY WITH THE RATED VOLTAGE.

<b>BALDOR</b>	DR. BY	CR THOMPSON	<b>A-C MOTOR</b>		
	CK. BY	K.W. KANDUPE		<b>PERFORMANCE</b>	
	APP. BY	K.W. KANDUPE			<b>CURVES</b>
	DATE	12/20/95			
		<b>A44WG1523-R001</b>			
		ISSUE DATE	12/18/10		

Printed on 12/18/10 6:31 @ psecs-motoreng

REL. S.O. \_\_\_\_\_ RPM 1190 S.F. 1.15 ROTOR 418143-81-CE  
 FRAME 447T VOLTS 460 NEMA DESIGN B TEST S.O. TYPICAL DATA  
 HP 200 AMPS 232 CODE LETTER F TEST DATE ---  
 TYPE P DUTY CONT ENCLOSURE PROT STATOR RES. @ 25 °C. 0.268  
 PHASE/HERTZ 3/60 AMB °C/INSUL 40/F E/S 401620 OHMS (BETWEEN LINES)



REMARKS: THERMAL LIMIT CURVE  
 XE MOTOR-TYPICAL DATA-NEMA NOM. EFF. 95.4 PCT.

AMPERES SHOWN FOR 460 VOLT CONNECTION, IF OTHER VOLTAGE CONNECTIONS ARE AVAILABLE, THE AMPERES WILL VARY INVERSELY WITH THE RATED VOLTAGE.



DR. BY C.R. THOMPSON  
 CK. BY K.W. KANOLFF  
 App. BY K.W. KANOLFF  
 DATE 12/20/95

**A-C MOTOR**  
**PERFORMANCE** A44WG1523-R001  
**CURVES** ISSUE DATE 12/18/10

# DUTY MASTER ALTERNATING CURRENT MOTORS

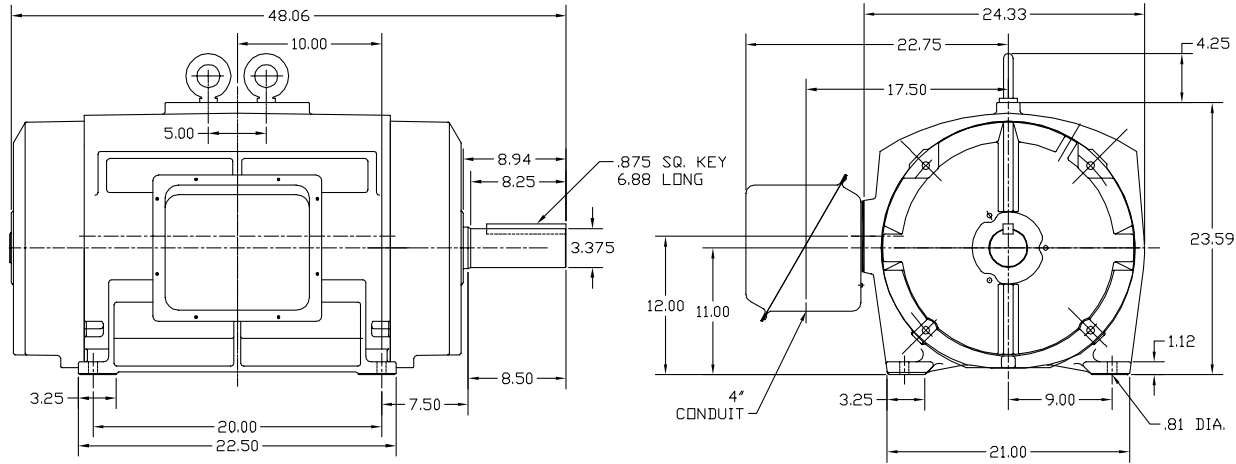
SQUIRREL-CAGE INDUCTION

ENCLOSURE: TOTALLY ENCLOSED  
MOUNTING: FOOT

COOLING: PROTECTED

FRAME 447T  
F-1 MOUNTING

616508-283



SCALED DRAWING  
SEE 604989-50 FOR COMPLETE DIMENSIONS

CUSTOMER IS RESPONSIBLE FOR DETERMINING THAT BALDOR'S PRODUCT WILL PERFORM SUITABLY IN THE INTENDED APPLICATION.

REV. DESC: NEW	VERSION: 00	TDR: 000000863381
REV. LTR: -	REVISED: 08:21:50 07/19/2014	BY: RAGJSS1
FILE: \RAG\00020\619		
MTL: -		

**BALDOR**

DIM SHT 447T ODP FT ABOVE NEMA  
SH 1 of 1

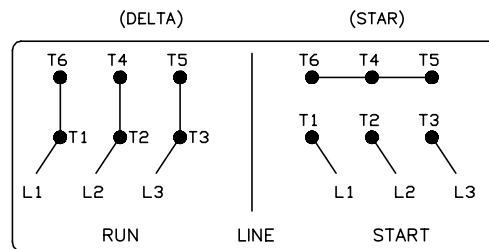
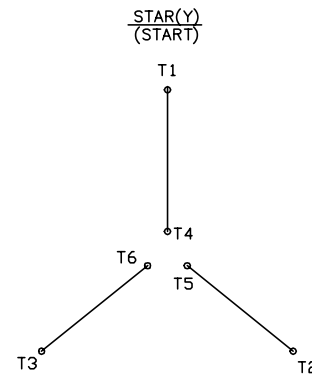
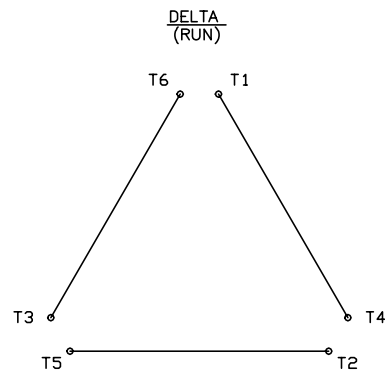
616508-283

416820-008

# A-C MOTOR CONNECTION DIAGRAM

STANDARD 6 LEAD

Y START - DELTA RUN



< N. P. 1767-DC >

416820-008

REV. DESC: ADDED T4 TO Y CONNECT DIAGRAM		
REV. LTR: D	VERSION: 04	TDR: 000000847713
FILE: \RAG\00001\808	REVISED: 10: 41: 26 04/08/2014	BY: RAGJSS1
MTL: -	⊙ □	

**BALDOR**

CONNECT DIAGRAM STD 6 LEAD Y START DELTA RUN

SH 1 of 1

Marketing maintained PDF of MN408:

<http://www.baldor.com/support/Literature/Load.ashx/MN408?ManNumber=MN408>

Marketing maintained PDF of MN416:

<http://www.baldor.com/support/Literature/Load.ashx/MN416?ManNumber=MN416>