

BALDOR® • ***RELIANCE***

Product Information Packet

EM3546T-5G

1HP,1760RPM,3PH,60HZ,143T,3519M,TEFC,F1

| Part Detail | | | | | | | |
|-------------|------|----------------|-------|-------------|----------|---------------|------------|
| Revision: | L | Status: | PRD/A | Change #: | | Proprietary: | No |
| Type: | AC | Prod. Type: | 3520M | Elec. Spec: | 35WGM849 | CD Diagram: | CD0006 |
| Enclosure: | TEFC | Mfg Plant: | | Mech. Spec: | 35Z063 | Layout: | 35LYZ063 |
| Frame: | 143T | Mounting: | F1 | Poles: | 04 | Created Date: | 01-17-2012 |
| Base: | RG | Rotation: | R | Insulation: | H | Eff. Date: | 11-28-2016 |
| Leads: | 3#18 | | | | | Replaced By: | |
| Literature: | | Elec. Diagram: | | | | | |

| Nameplate NP1259L | | | | | | | | | | | | | |
|-------------------|--------------|--|--|--|--|------|------|--|-----|----|---|----------------|---|
| CAT.NO. | EM3546T-5G | | | | | | | | | | | | |
| SPEC. | 35Z063M849G1 | | | | | | | | | | | | |
| HP | 1 | | | | | | | | | | | | |
| VOLTS | 575 | | | | | | | | | | | | |
| AMP | 1.2 | | | | | | | | | | | | |
| RPM | 1760 | | | | | | | | | | | | |
| FRAME | 143T | | | | | HZ | 60 | | | PH | 3 | | |
| SER.F. | 1.15 | | | | | CODE | L | | DES | B | | CL | H |
| NEMA-NOM-EFF | 85.5 | | | | | PF | 71 | | | | | | |
| RATING | 40C AMB-CONT | | | | | | | | | | | | |
| CC | 010A | | | | | | | | | | | USABLE AT 208V | |
| DE | 6205 | | | | | ODE | 6203 | | | | | | |
| ENCL | TEFC | | | | | SN | | | | | | | |
| | | | | | | | | | | | | | |

| Parts List | | |
|---------------|--|----------|
| Part Number | Description | Quantity |
| SA237460 | SA 35Z063M849G1 | 1.000 EA |
| RA224391 | RA 35Z063M849G1 | 1.000 EA |
| 34FN3002B01 | EXTERNAL FAN, PLASTIC, .637/.639 HUB W/ | 1.000 EA |
| NS2512A01 | INSULATOR, CONDUIT BOX X | 1.000 EA |
| 35CB3009 | 35 CB W/1.09 DIA. LEAD HOLE @ 6: | 1.000 EA |
| 36GS1000SP | GASKET-CONDUIT BOX, .06 THICK #SV-330 LE | 1.000 EA |
| 51XB1016A07 | 10-16 X 7/16 HXWSSLD SERTYB | 2.000 EA |
| 11XW1032G06 | 10-32 X .38, TAPTITE II, HEX WSHR SLTD U | 1.000 EA |
| 35FE3100M01 | FREP TEFC ASSEMBLY FOR ROUTING | 1.000 EA |
| HW4500A01 | 1641B(ALEMITE)400 UNIV, GREASE FITT | 1.000 EA |
| HW5100A03SP | WAVY WASHER (W1543-017) | 1.000 EA |
| 35EP3101A49 | SPL PUEP-ENCL-205 BRG W/GREASER | 1.000 EA |
| HW4500A01 | 1641B(ALEMITE)400 UNIV, GREASE FITT | 1.000 EA |
| 51XN1032A20 | 10-32 X 1 1/4 HX WS SL SR | 2.000 EA |
| XY1032A02 | 10-32 HEX NUT DIRECTIONAL SERRATION | 4.000 EA |
| 51XB1214A16 | 12-14X1.00 HXWSSLD SERTYB | 1.000 EA |
| 35FH4005A84SP | IEC FH W/GRSR, NO DIMPLES PRIMED | 1.000 EA |
| 51XW1032A06 | 10-32 X .38, TAPTITE II, HEX WSHR SLTD S | 3.000 EA |
| 35CB4521GX | CONDUIT BOX LID KIT | 1.000 EA |
| 51XW0832A07 | 8-32 X .44, TAPTITE II, HEX WSHR SLTD SE | 4.000 EA |
| HW2501D13 | KEY, 3/16 SQ X 1.375 | 1.000 EA |
| HA7000A01 | KEY RETAINER 7/8" DIA SHAFT | 1.000 EA |
| 85XU0407S04 | 4X1/4 U DRIVE PIN STAINLESS | 2.000 EA |
| LB1459 | AEGIS SGR LABEL "AEGISLBL-100" | 1.000 EA |

| Parts List (continued) | | |
|-------------------------------|--|-----------------|
| Part Number | Description | Quantity |
| MJ1000A02 | GREASE, POLYREX EM EXXON (USe 4824-15A) | 0.050 LB |
| MG1000Y03 | MUNSELL 2.53Y 6.70/ 4.60, GLOSS 20, | 0.017 GA |
| HA3100A15 | THRUBOLT 10-32 X 8.375 | 4.000 EA |
| LB1119N | WARNING LABEL | 1.000 EA |
| LC0006 | CONNECTION LABEL | 1.000 EA |
| NP1259L | ALUM SUPER-E UL CSA-EEV CC NEMA PREMIUM | 1.000 EA |
| 35PA1066 | PKG GRP, PRINT PK1008A06 | 1.000 EA |
| MN416A01 | TAG-INSTAL-MAINT no wire (1000/bx) 11/14 | 1.000 EA |
| LB1350 | BAR CODE LABEL FOR YORK | 1.000 EA |

AC Induction Motor Performance Data

Record # 50390 - Typical performance - not guaranteed values

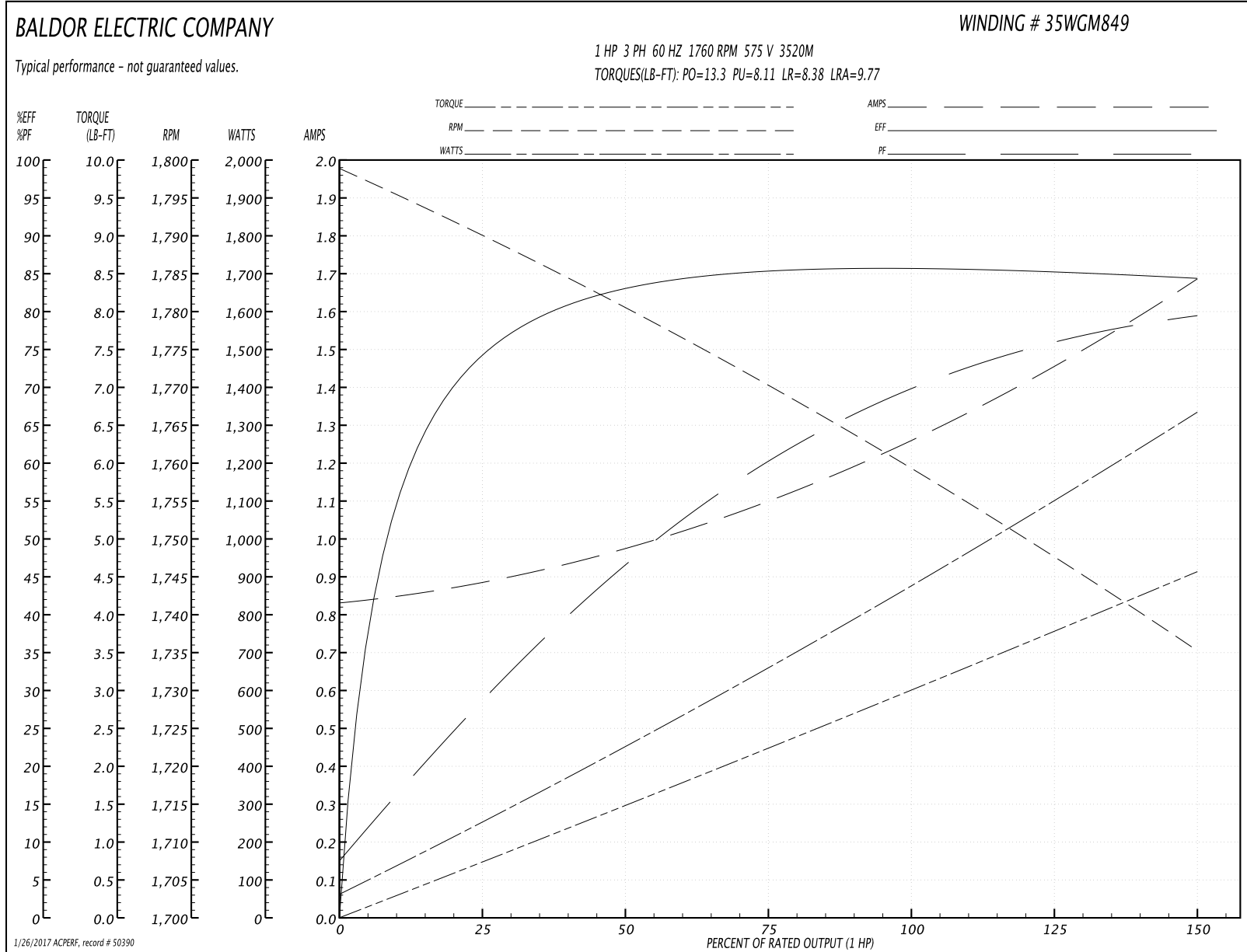
| | | |
|-------------------------------|--------------------|------------------------|
| Winding: 35WGM849-R009 | Type: 3520M | Enclosure: TEFC |
|-------------------------------|--------------------|------------------------|

| Nameplate Data | | | | 575 V, 60 Hz: Single Voltage Motor | |
|-----------------------|--------------|--------------|----|---------------------------------------|--------------------------|
| Rated Output (HP) | 1 | | | Full Load Torque | 2.99 LB-FT |
| Volts | 575 | | | Start Configuration | direct on line |
| Full Load Amps | 1.2 | | | Breakdown Torque | 13.3 LB-FT |
| R.P.M. | 1760 | | | Pull-up Torque | 8.11 LB-FT |
| Hz | 60 | Phase | 3 | Locked-rotor Torque | 8.38 LB-FT |
| NEMA Design Code | B | KVA Code | L | Starting Current | 9.77 A |
| Service Factor (S.F.) | 1.15 | | | No-load Current | 0.84 A |
| NEMA Nom. Eff. | 85.5 | Power Factor | 71 | Line-line Res. @ 25°C | 23.9 Ω |
| Rating - Duty | 40C AMB-CONT | | | Temp. Rise @ Rated Load | 36°C |
| S.F. Amps | | | | Temp. Rise @ S.F. Load | 42°C |
| | | | | Locked-rotor Power Factor | 53.9 |
| | | | | Rotor inertia | 0.118 LB-FT ² |

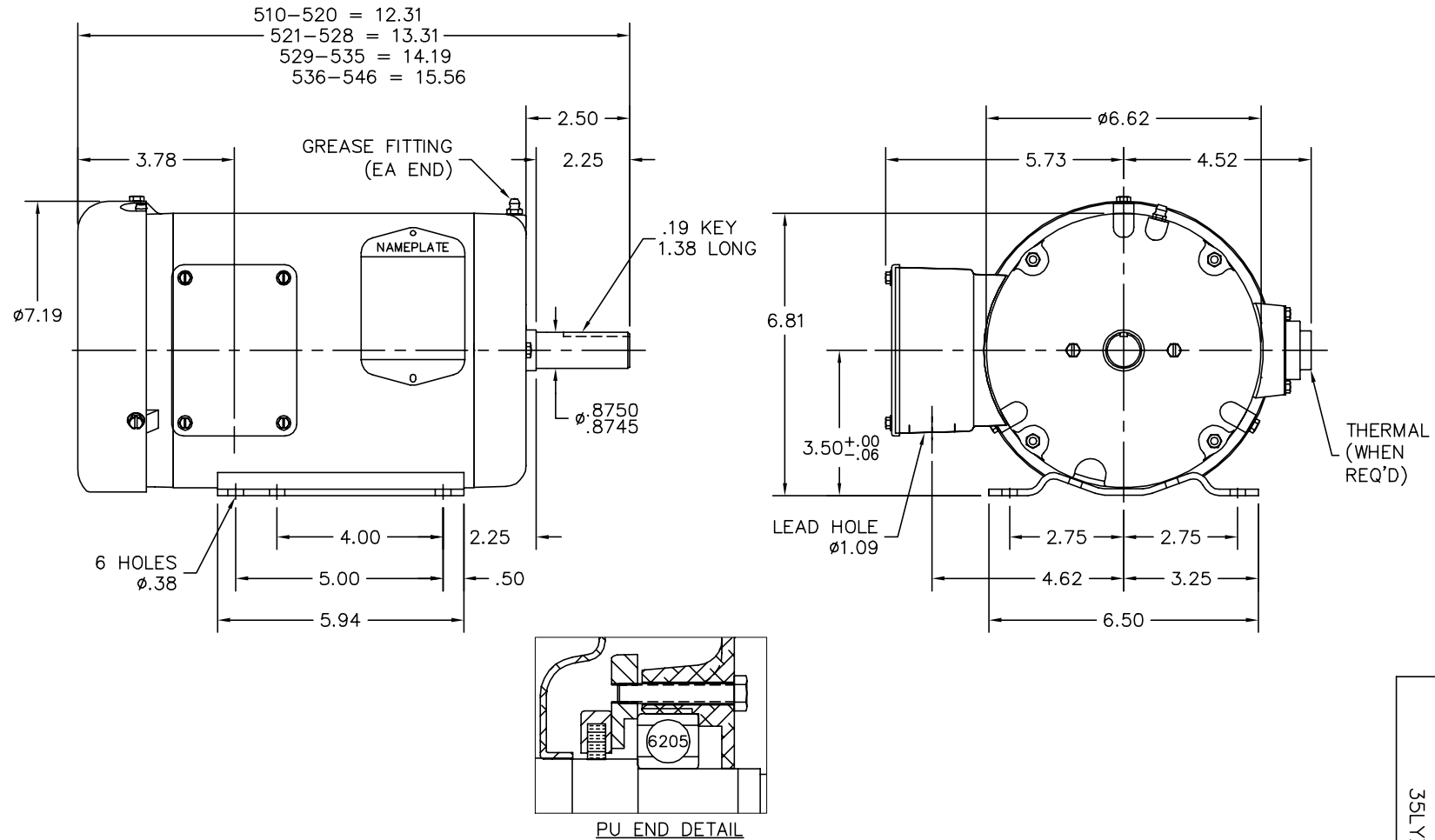
Load Characteristics 575 V, 60 Hz, 1 HP

| % of Rated Load | 25 | 50 | 75 | 100 | 125 | 150 | S.F. |
|-----------------|-------|-------|------|------|------|------|------|
| Power Factor | 29 | 47 | 60 | 69 | 76 | 80 | 75 |
| Efficiency | 74.4 | 83.2 | 85.2 | 85.9 | 85.3 | 84.4 | 85.5 |
| Speed | 1790 | 1780 | 1770 | 1760 | 1748 | 1735 | 1754 |
| Line amperes | 0.872 | 0.977 | 1.1 | 1.26 | 1.46 | 1.68 | 1.35 |


Performance Graph at 575V, 60Hz, 1.0HP Typical performance - Not guaranteed values



35LYZ063



CUSTOMER IS RESPONSIBLE FOR DETERMINING THAT BALDOR'S PRODUCT WILL PERFORM SUITABLY IN THE INTENDED APPLICATION.

| | | |
|--|---|-------------------|
| REV. DESC: 35SB0002 REPLACED W/35SB2075 & 35BA4009 | | |
| REV. LTR: A | VERSION: 01 | TDR: 000000965921 |
| FILE: \AAA\00174\453 | REVISED: 10:00:03 02/12/2016 | BY: FPJFGO |
| MTL: - |  | |

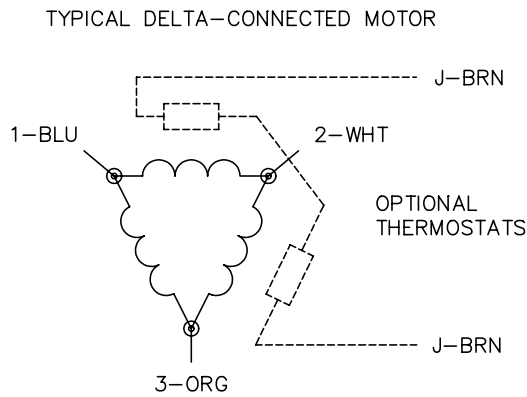
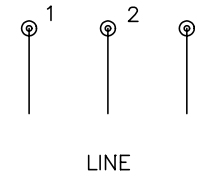
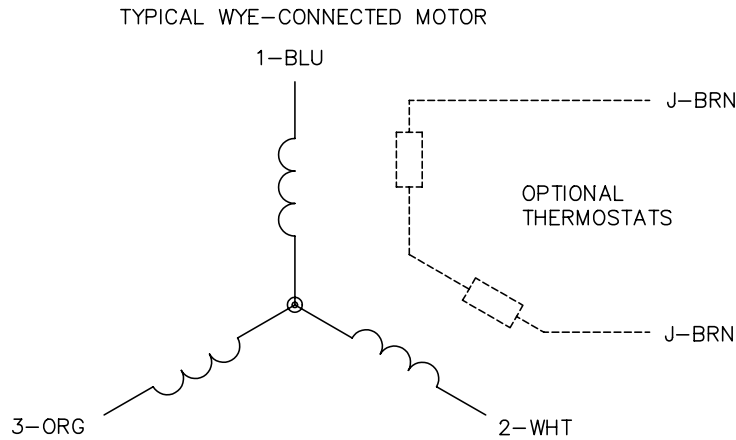
BALDOR

HOR 143-5T TEFC M W/1.09 LEAD HOLE, AEGIS INT SHAFT GND

SH 1 of 1

35LYZ063

CD0006



NOTES:

1. THREE LEAD MOTOR MAY BE EITHER WYE CONNECTED OR DELTA CONNECTED.
2. INTERCHANGE ANY TWO LINE LEADS TO REVERSE ROTATION.
3. OPTIONAL THERMOSTATS ARE PROVIDED WHEN SPECIFIED.
4. ACTUAL NUMBER OF INTERNAL PARALLEL CIRCUITS MAY VARY.
5. LEAD COLORS ARE OPTIONAL. LEADS MUST BE NUMBERED AS SHOWN.

| | | | |
|---|---------|------------------------|--------------|
| REV. DESC: REVISE TO SHOW OPTIONAL COLORS | | | |
| REV. LTR: D | BY: JLP | REVISED: 01/21/99 4:02 | TDR: 0171435 |
| 9000D | | FILE: AAA00005141 | MDL: - |
| | | MTL: - | |

BALDOR ELECTRIC Co.

3PH, SV, 3 LEADS, WYE OR DELTA CONNECTED

CD0006