

BALDOR® • RELIANCE

Product Information Packet

EM7026T-I

3//2HP,3450//2890RPM,3PH,60//50HZ,182T,3

Part Detail							
Revision:	R	Status:	PRD/A	Change #:		Proprietary:	No
Type:	AC	Prod. Type:	3622M	Elec. Spec:	36WGS041	CD Diagram:	CD0005
Enclosure:	XPFC	Mfg Plant:		Mech. Spec:	36J694	Layout:	36LYJ694
Frame:	182T	Mounting:	F1	Poles:	02	Created Date:	06-21-2010
Base:	RG	Rotation:	R	Insulation:	F	Eff. Date:	12-29-2016
Leads:	9#16					Replaced By:	
Literature:		Elec. Diagram:					

Nameplate NP0977XPSLEV										
NO.							CC	010A		
SER.								TEMP CODE	T3C	
SPEC.	36J694S041G1									
CAT.NO.	EM7026T-I									
HP	3//2									
VOLTS	230/460//190/380									
AMPS	7.4/3.7//6/3									
RPM	3450//2890						MOTOR WEIGHT	91		
HERTZ	60//50		PH	3	CL	F	DE BRG	6206		
SER.F.	1.15		DES	B	CODE	K	ODE BRG	6205		
FRAME	182T		GREASE		POLYREX EM					
RATING	40C AMB-CONT 55C AMB AT 1.0 SF									
USABLE AT 208V	8		NEMA-NOM-EFF		86.5		PF	91		
	NEMA MG-1 PT 5,IP55									

Parts List		
Part Number	Description	Quantity
SA199139	SA 36J694S041G1	1.000 EA
RA186479	RA 36J694S041G1	1.000 EA
34FN3002A02	EXTERNAL FAN, PLASTIC, .905/.907 HUB W/	1.000 EA
35CB1005A01	CONDUIT BOX,MACH - GROUP "C" MTRS	1.000 EA
06EP1709A05	FRONT XPFC 205 BRG GRP C W/ DRAIN (HW450	1.000 EA
HW4500A19	1/4-28X1/4 SLOTTED PLUG F/S	2.000 EA
HW4506A02	BREATHER/DRAIN-EXP PROOF-.125-27 NPTF AI	1.000 EA
HW3022E05	.125 DIA X .500 ROLLED SPRING PIN	1.000 EA
HW5100A05	WVY WSHR F/205 & 304 BRGS	1.000 EA
36EP1718A03	36 PU EP XPFC 206 BRG W/METAL SLINGER	1.000 EA
HW4500A19	1/4-28X1/4 SLOTTED PLUG F/S	2.000 EA
HW4506A02	BREATHER/DRAIN-EXP PROOF-.125-27 NPTF AI	1.000 EA
HW3022E05	.125 DIA X .500 ROLLED SPRING PIN	1.000 EA
XY3816A12	3/8-16 FINISHED NUT	4.000 EA
36FH3003A05	FAN COVER XP W/(2) GRSR HOLES, DRAIN	1.000 EA
51XF1032A10	SCREW, HX WS HD SER, ZN	4.000 EA
35CB1501A01	CONDUIT BOX LID, MACH. - GROUP "C" MTRS	1.000 EA
RM1020A41	O-RING, -150 BUNA-N, .103 CS X 2.862 ID	1.000 EA
HA2065A01	SLINGER, ALUM (AUTO)	1.000 EA
80XN1032A07	SET SCREW, HEX XOCK, ZN	1.000 EA
HW2501E16	3KEY, 1/4 SQ X 1.750	1.000 EA
HA7000A02	KEY RETAINER RING, 1 1/8 DIA, 1 3/8 DIA	1.000 EA
85XU0407S04	4X1/4 U DRIVE PIN STAINLESS	6.000 EA
LB1359F	ALUM XP CAUTION LABEL	1.000 EA

Parts List (continued)		
Part Number	Description	Quantity
MJ1000A02	GREASE, POLYREX EM EXXON (USe 4824-15A)	0.050 LB
51XB1214A16	12-14X1.00 HXWSSLD SERTYB	1.000 EA
MG1025G29	WILKOFASST, 789.229, DARK CHARCOAL GRAY	0.022 GA
HA3105A06	THRUBOLT- 3/8-16 X 10.500 X	4.000 EA
LB1119N	WARNING LABEL	1.000 EA
LC0145B01	CONNECTION LABEL	1.000 EA
NP0977XPSLEV	SS XP UL CSA-EEV CC CL-I GP-C&D	1.000 EA
G0PA1000	PKG GRP, PRINT PK1026A06	1.000 EA
MN416A01	TAG-INSTAL-MAINT no wire (1000/bx) 11/14	1.000 EA

AC Induction Motor Performance Data

Record # 35704 - Typical performance - not guaranteed values

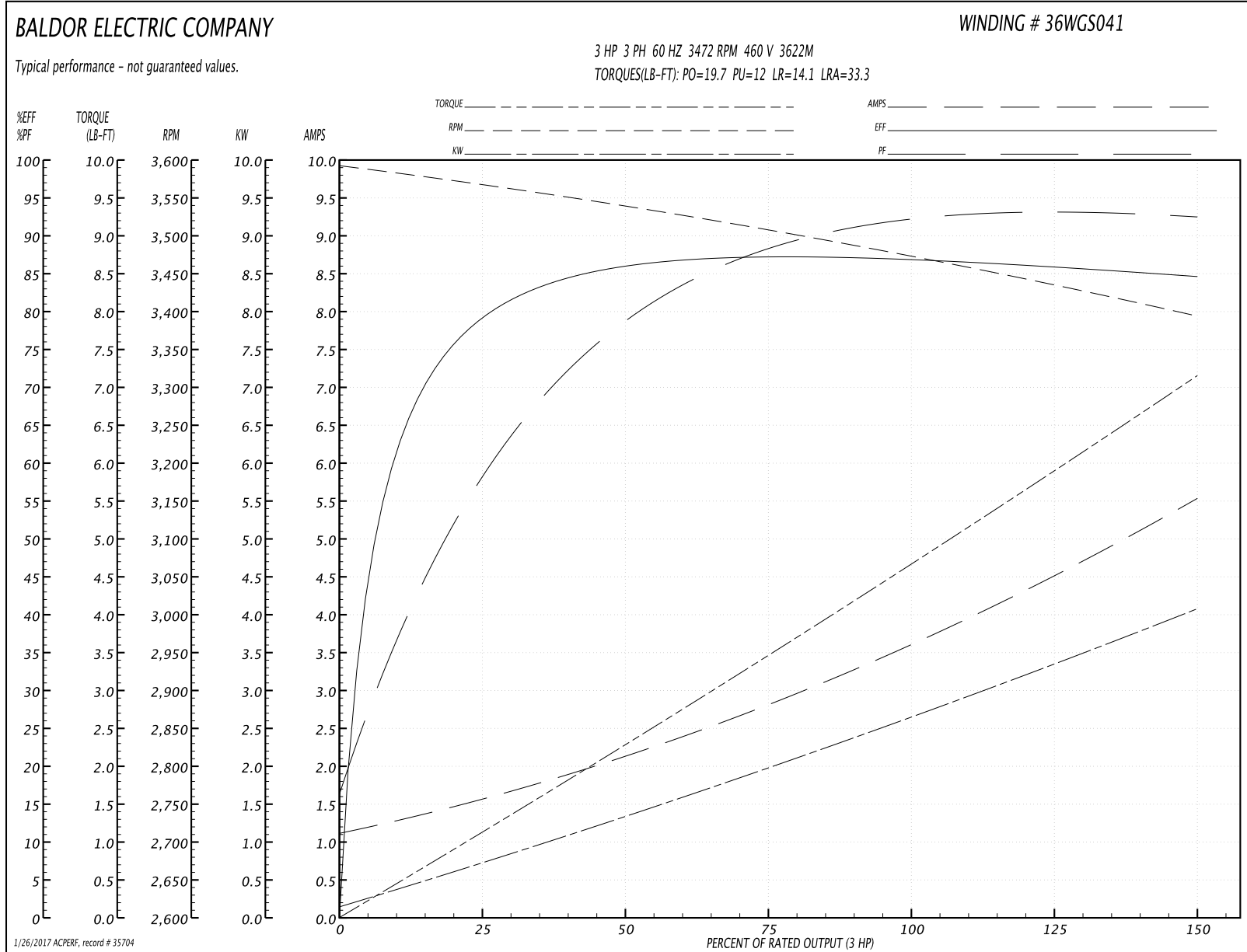
Winding: 36WGS041-R004	Type: 3622M	Enclosure: XPFC
-------------------------------	--------------------	------------------------

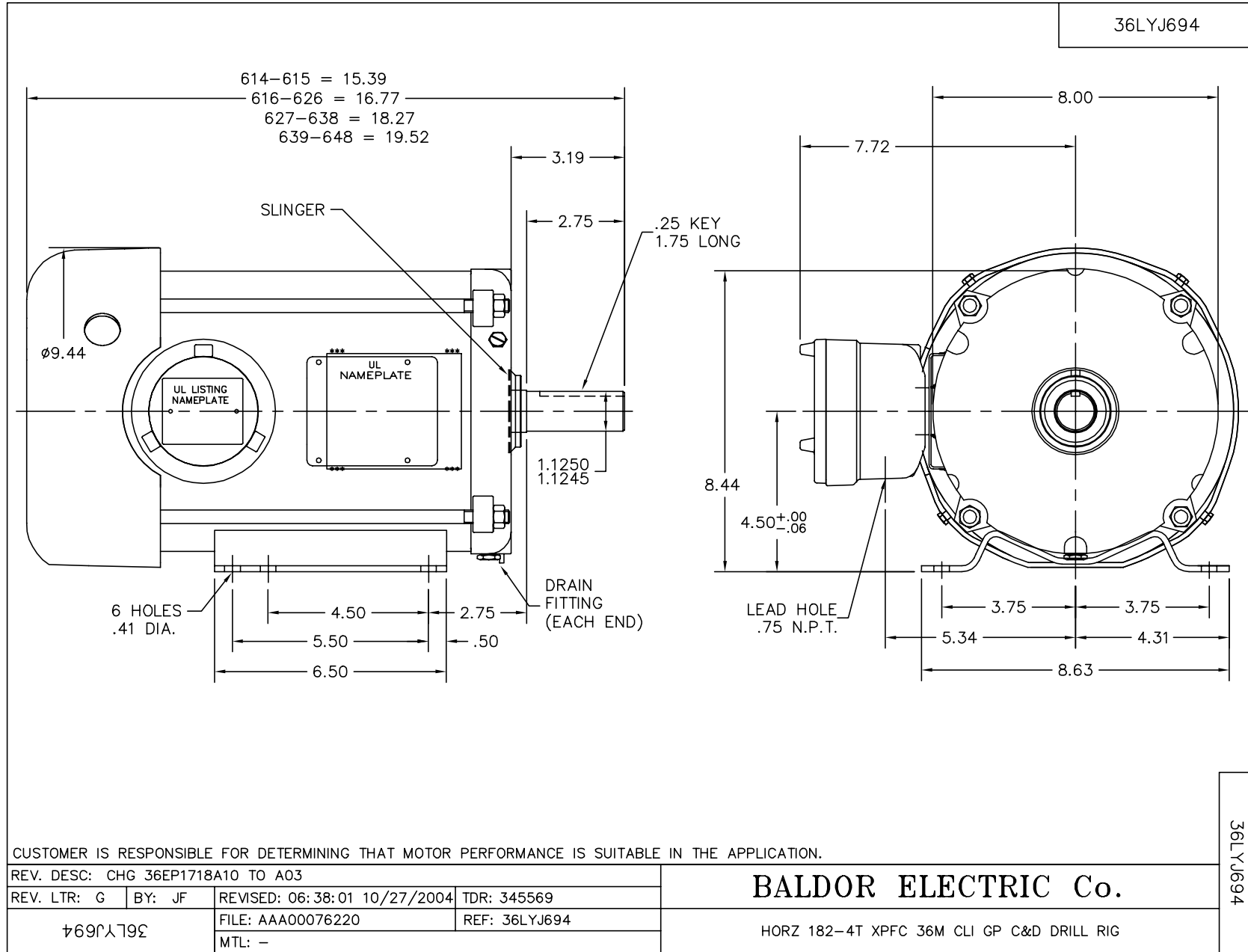
Nameplate Data				460 V, 60 Hz: High Voltage Connection	
Rated Output (HP)	3//2			Full Load Torque	4.7 LB-FT
Volts	230/460//190/380			Start Configuration	direct on line
Full Load Amps	7.4/3.7//6/3			Breakdown Torque	19.7 LB-FT
R.P.M.	3450//2890			Pull-up Torque	12 LB-FT
Hz	60//50	Phase	3	Locked-rotor Torque	14.1 LB-FT
NEMA Design Code	B	KVA Code	K	Starting Current	33.3 A
Service Factor (S.F.)	1.15			No-load Current	1.17 A
NEMA Nom. Eff.	86.5	Power Factor	91	Line-line Res. @ 25°C	4.62 Ω
Rating - Duty	40C AMB-CONT			Temp. Rise @ Rated Load	52°C
S.F. Amps				Temp. Rise @ S.F. Load	64°C
				Locked-rotor Power Factor	48
				Rotor inertia	0.0984 LB-FT ²

Load Characteristics 460 V, 60 Hz, 3 HP

% of Rated Load	25	50	75	100	125	150	S.F.
Power Factor	66	82	88	91	92	93	92
Efficiency	80.4	86	87.4	86.9	86.1	84.5	86.4
Speed	3565	3535	3504	3472	3434	3394	3449
Line amperes	1.56	2.17	2.93	3.67	4.57	5.5	4.21

Performance Graph at 460V, 60Hz, 3.0HP Typical performance - Not guaranteed values





CD0005

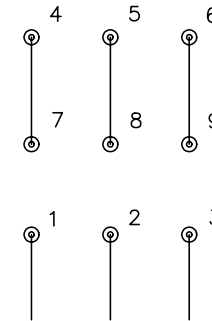


LOW VOLTAGE (2Y)



LINE

HIGH VOLTAGE (1Y)



LINE

NOTES:

1. INTERCHANGE ANY TWO LINE LEADS TO REVERSE ROTATION.
2. OPTIONAL THERMOSTATS ARE PROVIDED WHEN SPECIFIED.
3. ACTUAL NUMBER OF INTERNAL PARALLEL CIRCUITS MAY BE A MULTIPLE OF THOSE SHOWN ABOVE.
4. LEAD COLORS ARE OPTIONAL. LEADS MUST ALWAYS BE NUMBERED AS SHOWN.

REV. DESC: REVISE TO SHOW OPTIONAL COLORS			
REV. LTR: E	BY: JLP	REVISED: 01/19/99 10:15	TDR: 0171435
900003		FILE: AAA00005140	MDL: -
		MTL: -	

BALDOR ELECTRIC Co.

3PH, DV, 9 LEADS

CD0005