

# **BALDOR® • RELIANCE**

## **Product Information Packet**

# **EM7070T**

**10//7.5HP,1770//1475RPM,3PH,60//50HZ,215**

Part Detail							
Revision:	J	Status:	PRD/A	Change #:		Proprietary:	No
Type:	AC	Prod. Type:	3752M	Elec. Spec:	37WGS518	CD Diagram:	CD0005
Enclosure:	XPFC	Mfg Plant:		Mech. Spec:	37H239	Layout:	37LYH239
Frame:	215T	Mounting:	F1	Poles:	04	Created Date:	10-11-2010
Base:	RG	Rotation:	R	Insulation:	B	Eff. Date:	03-23-2016
Leads:	9#14					Replaced By:	
Literature:		Elec. Diagram:					

Nameplate NP1426XPSLEV	
NO.	[ ] CC 010A
SER.	[ ]
SPEC.	37H239S518G2
CAT.NO.	EM7070T
HP	10//7.5 T. CODE T3C
VOLTS	230/460//190/380
AMPS	24/12//22/11
RPM	1770//1475
HZ	60//50 PH 3 CL B
SER.F.	1.00 DES A CODE K
RATING	40C AMB-CONT
FRAME	215T NEMA-NOM-EFF 91.7
USABLE AT 208V	25.4 PF 85
BLANK	[ ]

Parts List		
Part Number	Description	Quantity
SA204649	SA 37H239S518G2	1.000 EA
RA191894	RA 37H239S518G2	1.000 EA
37FN3002C01	EXFN, PLASTIC, 6.00 OD, 1.155 ID	1.000 EA
35CB3001A02SP	EXPL PROOF CONDUIT BOX, 3/4"PIPE TAP LEA	1.000 EA
11XW1032G06	10-32 X .38, TAPTITE II, HEX WSHR SLTD U	1.000 EA
HW3001B01	BRASS CUP WASHER, FOR #8 SCREW	1.000 EA
37EP1102A01	STD FR EP, XPFC	1.000 EA
HW4500A19	1/4-28X1/4 SLOTTED PLUG F/S	2.000 EA
HW5100A06	W2420-025 WVY WSHR (WB)	1.000 EA
37EP1701A02	PU ENDPLATE,TEFC, 1 FAN, W/GREASER, MACH	1.000 EA
HW4500A19	1/4-28X1/4 SLOTTED PLUG F/S	2.000 EA
XY5013A12	NUT,1/2-13,HEX,STEEL,ZINCPLATED	4.000 EA
37FH2000A01SP	STD XPROOF FAN COVER	1.000 EA
10XN2520A12	O1/4-20X 3/4 HEX HEAD CAP	4.000 EA
HW1001A25	LOCKWASHER 1/4, ZINC PLT .493 OD, .255 I	4.000 EA
35CB3500A01SP	CONDUIT BOX LID, MACH	1.000 EA
51XN2520A16	SCREW, HEX WS SLT, ZN, 1/4-20 X 1.00	4.000 EA
HW2501F21	KEY, 5/16 SQ X 2.375	1.000 EA
HA7000A02	KEY RETAINER RING, 1 1/8 DIA, 1 3/8 DIA	1.000 EA
85XU0407S04	4X1/4 U DRIVE PIN STAINLESS	6.000 EA
LB1115N	LABEL,LIFTING DEVICE (ON ROLLS)	1.000 EA
NP0018F	ALUM UL XP CONDUIT BOX NAMEPLATE	1.000 EA
MJ1000A02	GREASE, POLYREX EM EXXON (USe 4824-15A)	0.050 LB
51XB1214A20	12-14X1.25 HXWSSLD SERTYB	1.000 EA

<b>Parts List (continued)</b>		
<b>Part Number</b>	<b>Description</b>	<b>Quantity</b>
XY2520A12	1/4-20 HEX NUT, DIRECTIONAL SERRATIONS	1.000 EA
MG1025G29	WILKOFAS, 789.229, DARK CHARCOAL GRAY	0.028 GA
HA3106A12	THRUBOLT 1/2-13 X 14.625	4.000 EA
LB1119N	WARNING LABEL	1.000 EA
LC0145B01	CONNECTION LABEL	1.000 EA
NP1426XPSLEV	SS XP UL CSA-EEV CC CL-I GP-D	1.000 EA
37PA1039	PALLET PACK GRP, PRINT PK1026A06	1.000 EA
MN416A01	TAG-INSTAL-MAINT no wire (1000/bx) 11/14	1.000 EA

**AC Induction Motor Performance Data**

Record # 35761 - Typical performance - not guaranteed values

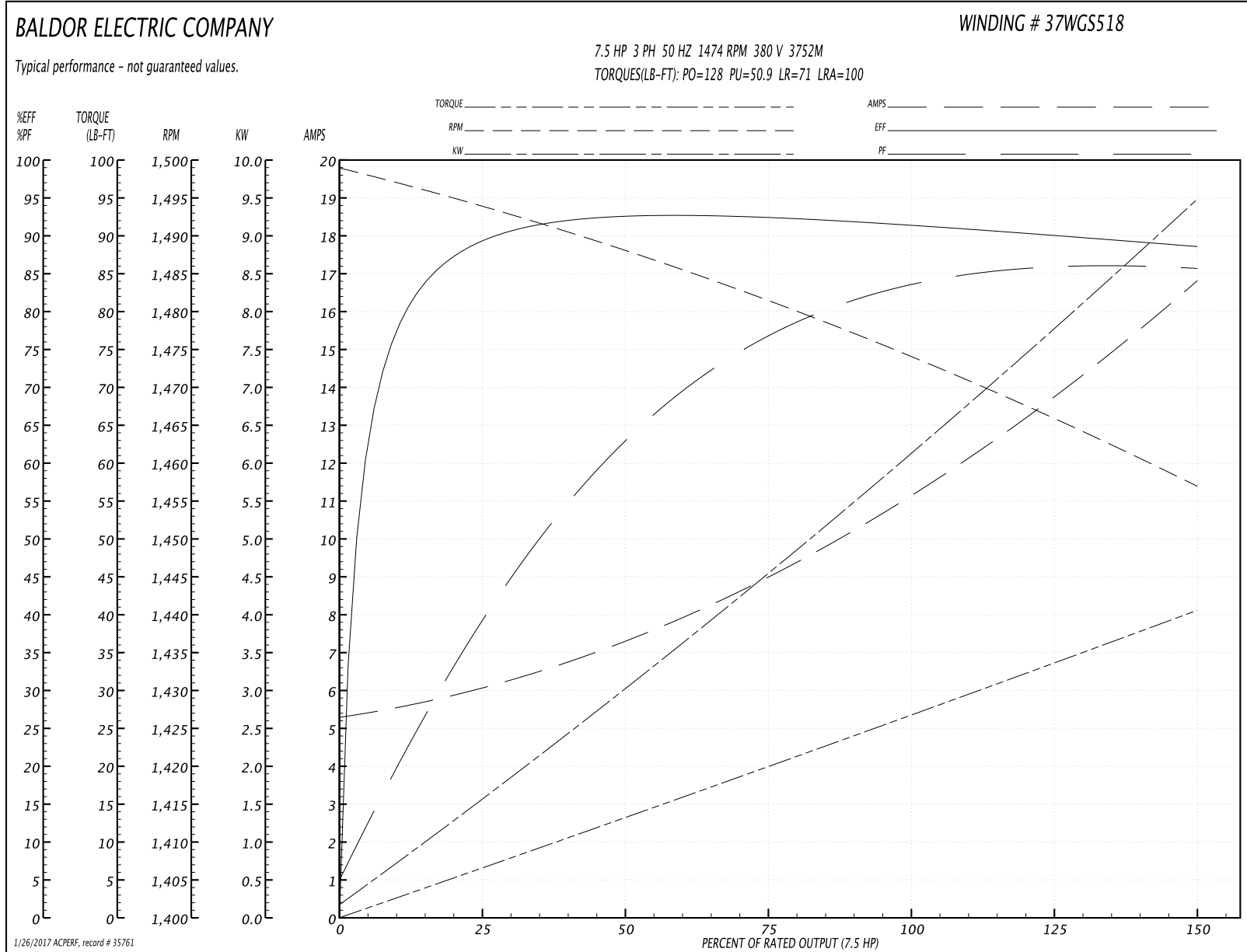
<b>Winding:</b> 37WGS518-R010	<b>Type:</b> 3752M	<b>Enclosure:</b> XPFC
-------------------------------	--------------------	------------------------

Nameplate Data				380 V, 50 Hz: High Voltage Connection	
Rated Output (HP)	10//7.5			Full Load Torque	26.6 LB-FT
Volts	230/460//190/380			Start Configuration	direct on line
Full Load Amps	24/12//22/11			Breakdown Torque	128 LB-FT
R.P.M.	1770//1475			Pull-up Torque	50.9 LB-FT
Hz	60//50	Phase	3	Locked-rotor Torque	71 LB-FT
NEMA Design Code	A	KVA Code	K	Starting Current	100 A
Service Factor (S.F.)	1			No-load Current	5.4 A
NEMA Nom. Eff.	91.7	Power Factor	85	Line-line Res. @ 25°C	0.912 Ω
Rating - Duty	40C AMB-CONT			Temp. Rise @ Rated Load	56°C
S.F. Amps				Temp. Rise @ S.F. Load	68°C
				Locked-rotor Power Factor	39
				Rotor inertia	1.28 LB-FT <sup>2</sup>

Load Characteristics 380 V, 50 Hz, 7.5 HP

% of Rated Load	25	50	75	100	125	150
Power Factor	40	63	77	84	83	87
Efficiency	88	92.4	92.3	91.7	90.3	88.5
Speed	1494	1488	1482	1474	1466	1457
Line amperes	5.93	7.22	8.93	11	14.1	16.6

Performance Graph at 380V, 50Hz, 7.5HP Typical performance - Not guaranteed values



**AC Induction Motor Performance Data**

Record # 43187 - Typical performance - not guaranteed values

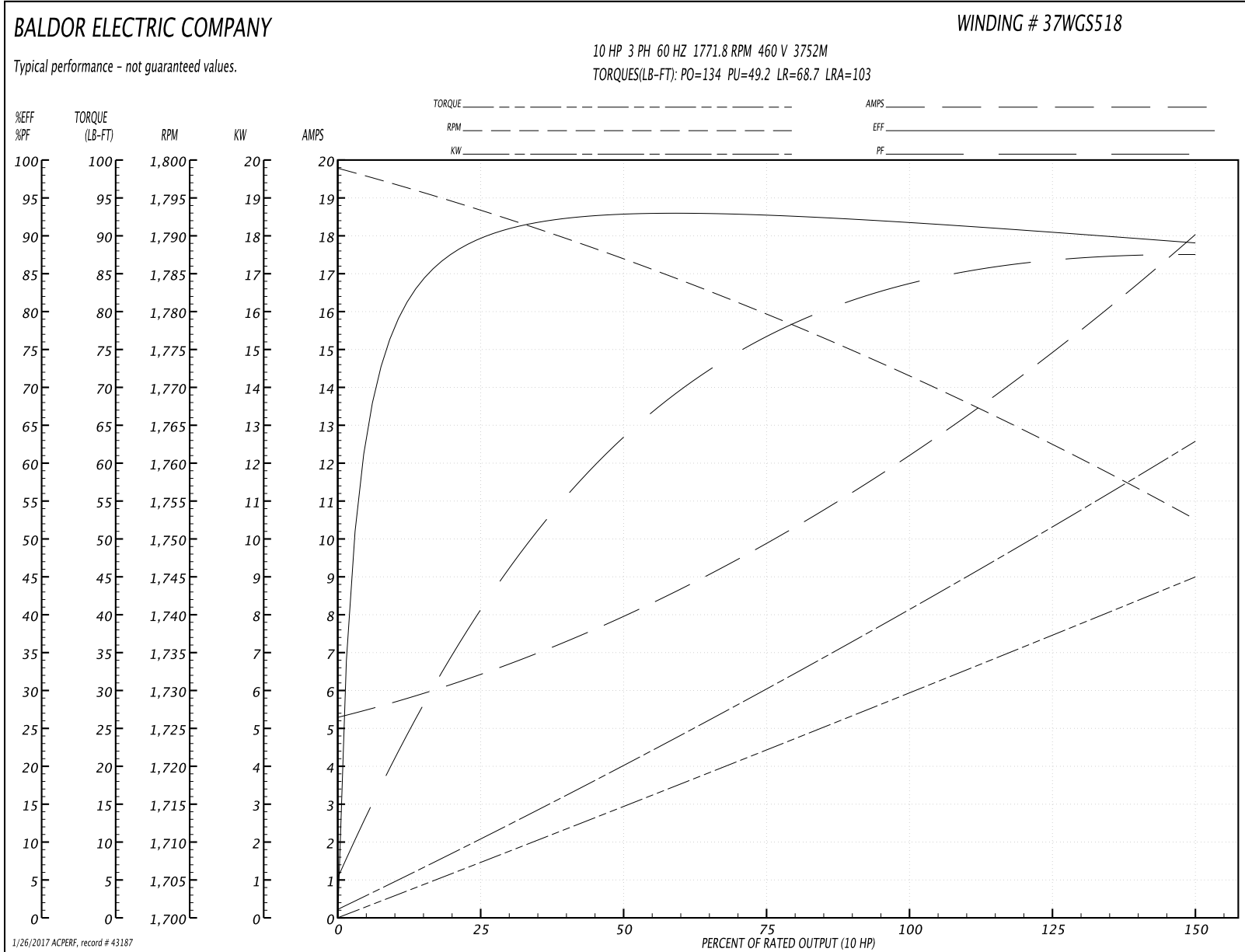
<b>Winding:</b> 37WGS518-R010	<b>Type:</b> 3752M	<b>Enclosure:</b> XPFC
-------------------------------	--------------------	------------------------

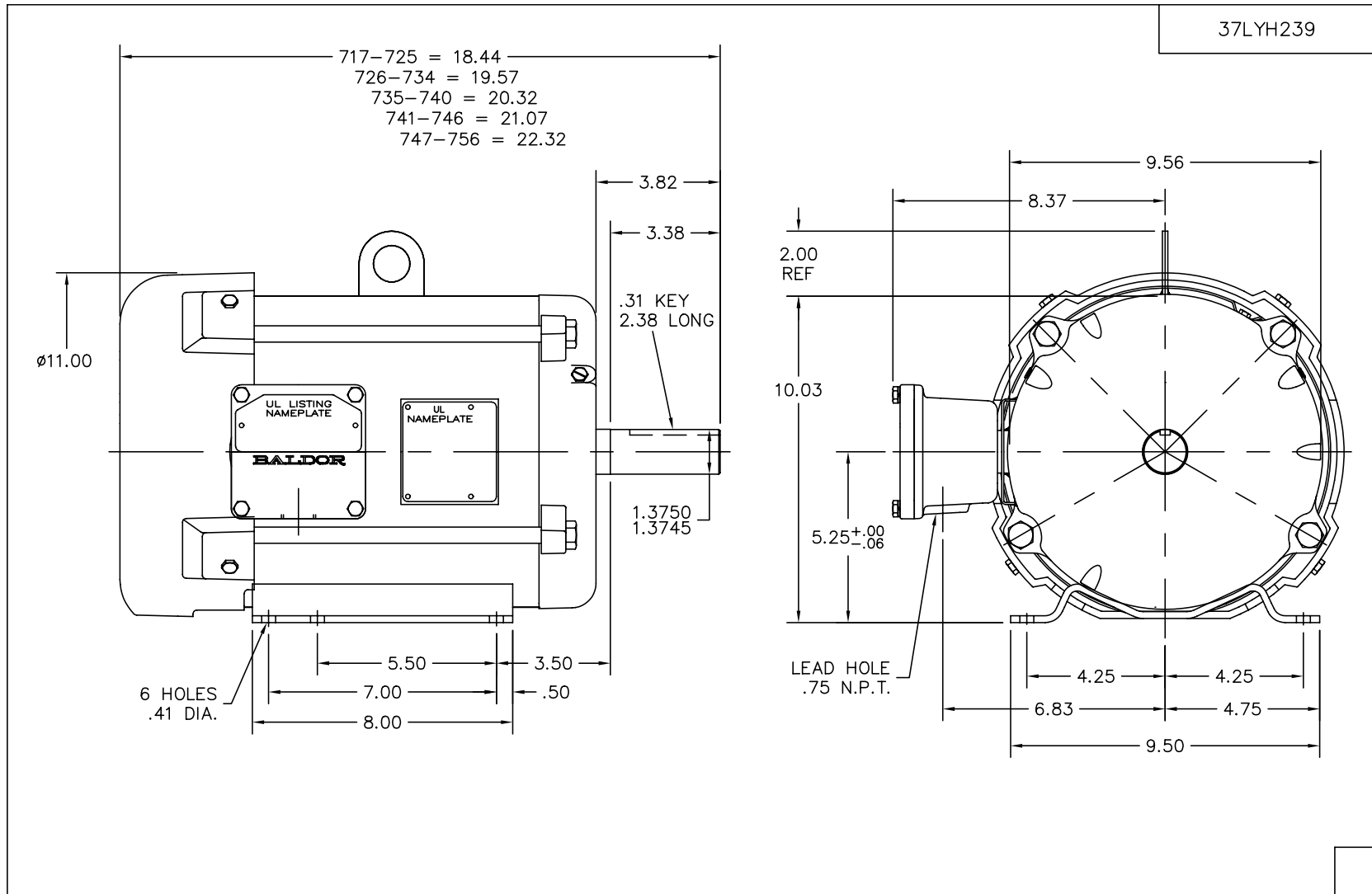
Nameplate Data				460 V, 60 Hz: High Voltage Connection	
Rated Output (HP)	10//7.5			Full Load Torque	29.5 LB-FT
Volts	230/460//190/380			Start Configuration	direct on line
Full Load Amps	24/12//22/11			Breakdown Torque	134 LB-FT
R.P.M.	1770//1475			Pull-up Torque	49.2 LB-FT
Hz	60//50	Phase	3	Locked-rotor Torque	68.7 LB-FT
NEMA Design Code	A	KVA Code	K	Starting Current	103 A
Service Factor (S.F.)	1			No-load Current	5.49 A
NEMA Nom. Eff.	91.7	Power Factor	85	Line-line Res. @ 25°C	0.93503 Ω
Rating - Duty	40C AMB-CONT			Temp. Rise @ Rated Load	63°C
				Locked-rotor Power Factor	35
				Rotor inertia	1.28 LB-FT <sup>2</sup>

**Load Characteristics 460 V, 60 Hz, 10 HP**

% of Rated Load	25	50	75	100	125	150
Power Factor	42	66	79	85	84	87
Efficiency	88.9	92.1	92.4	91.8	90.3	89
Speed	1793.9	1786.8	1779.7	1771.8	1762.7	1752.5
Line amperes	6.14	7.8	9.9	12.3	15	17.9

Performance Graph at 460V, 60Hz, 10.0HP Typical performance - Not guaranteed values





CUST. NAME		CUST. P.O.		CERTIFIED BY		MODEL		INSUL		AMB	
H.P.		MTG		TYPE		R.P.M.		VOLTS		ENCL	
PHASE		FREQ		FRAME							
REV. DESC: NEW											
REV. LTR: -		BY: SLK		REVISED: 09/13/99 11:47		TDR: 0189039		<b>BALDOR ELECTRIC Co.</b> HOR 213-5T XPFC M EPACK STACKS, DUAL CLASS			
6Ω2HΛ7Σ				FILE: AAA00068145		MDL: -					
				MTL: -							

37LYH239

CD0005

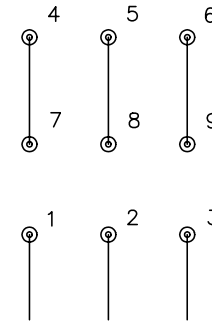


LOW VOLTAGE  
(2Y)



LINE

HIGH VOLTAGE  
(1Y)



LINE

NOTES:

1. INTERCHANGE ANY TWO LINE LEADS TO REVERSE ROTATION.
2. OPTIONAL THERMOSTATS ARE PROVIDED WHEN SPECIFIED.
3. ACTUAL NUMBER OF INTERNAL PARALLEL CIRCUITS MAY BE A MULTIPLE OF THOSE SHOWN ABOVE.
4. LEAD COLORS ARE OPTIONAL. LEADS MUST ALWAYS BE NUMBERED AS SHOWN.

REV. DESC: REVISE TO SHOW OPTIONAL COLORS			
REV. LTR: E	BY: JLP	REVISED: 01/19/99 10:15	TDR: 0171435
9000D		FILE: AAA00005140	MDL: -
		MTL: -	

**BALDOR ELECTRIC Co.**

3PH, DV, 9 LEADS

CD0005