

BALDOR® • **RELIANCE**

Product Information Packet

ERHM3162TA

5HP,3450RPM,3PH,60HZ,145TY,3540M,OPEN,F1

Part Detail							
Revision:	G	Status:	PRD/A	Change #:		Proprietary:	No
Type:	AC	Prod. Type:	3540M	Elec. Spec:	35WGM541	CD Diagram:	CD0007
Enclosure:	OPEN	Mfg Plant:		Mech. Spec:	35J829	Layout:	35LYJ829
Frame:	145TY	Mounting:	F1	Poles:	02	Created Date:	08-05-2010
Base:	RS	Rotation:	R	Insulation:	F	Eff. Date:	11-30-2015
Leads:	12#18					Replaced By:	
Literature:		Elec. Diagram:					

Nameplate NP2601L										
CAT.NO.	ERHM3162TA									
SPEC.	35J829M541G1									
HP	5									
VOLTS	230/460									
AMP	12.2/6.1									
RPM	3450									
FRAME	145TY				HZ	60			PH	3
SER.F.	1.15		CODE	L	DES	A		CL	F	
NEMA-NOM-EFF	86.5		PF	89						
RATING	40C AMB-CONT									
CC	010A				USABLE AT 208V			13		
DE	6205				ODE	6203				
ENCL	OPEN		SN							

Parts List		
Part Number	Description	Quantity
SA200895	SA 35J829M541G1	1.000 EA
RA188205	RA 35J829M541G1	1.000 EA
S/P107-000-001	SUPER E PROC'S-FS, WS & CK PLTS	1.000 EA
11XT0832G06	8-32 X 3/8 TY 23 TAPPING	1.000 EA
35EP3202A01	STD OPEN FR EP - RESILIENT MTD	1.000 EA
RM1000A02	CUSHION RING, MODEL 35 SAME AS A07	1.000 EA
HA6005A01A	CLAMP CUSHION RING ASSY 35 FRAME	1.000 EA
LD5000A01	LEAD ASSY, ML1400DF14 7" RING TRM EA END	1.000 EA
51XW1032A06	10-32 X .38, TAPTITE II, HEX WSHR SLTD S	2.000 EA
HW1003A10	WASHER, #10 EX TH LK, ZN X	2.000 EA
SP1003A01	TERM. BOARD, MODE 35 SW X H-23655	1.000 EA
51XW0832A07	8-32 X .44, TAPTITE II, HEX WSHR SLTD SE	2.000 EA
WD4100A01	DP-875 HEYCO PLUG OR 62MP0875 MICRO PLAS	1.000 EA
HW5100A03SP	WAVY WASHER (W1543-017)	1.000 EA
35EP1209A01	PU ENDPLATE, MACH	1.000 EA
XY1032A02	10-32 HEX NUT DIRECTIONAL SERRATION	4.000 EA
RM1000A02	CUSHION RING, MODEL 35 SAME AS A07	1.000 EA
HA6005A01A	CLAMP CUSHION RING ASSY 35 FRAME	1.000 EA
35CB4500SP	TERMINAL BOX LID STAMPED	1.000 EA
51XW0832A07	8-32 X .44, TAPTITE II, HEX WSHR SLTD SE	2.000 EA
HW2501D13	KEY, 3/16 SQ X 1.375	1.000 EA
HA7000A01	KEY RETAINER 7/8" DIA SHAFT	1.000 EA
85XU0407S04	4X1/4 U DRIVE PIN STAINLESS	2.000 EA
MJ1000A02	GREASE, POLYREX EM EXXON (USe 4824-15A)	0.050 LB

Parts List (continued)		
Part Number	Description	Quantity
MG1000Y03	MUNSELL 2.53Y 6.70/ 4.60, GLOSS 20,	0.017 GA
HA3100A26	THRUBOLT 10-32 X 11.500	4.000 EA
35BA4002J01	RESILIENT BASE, STAMPED	1.000 EA
MN416A01	TAG-INSTAL-MAINT no wire (1000/bx) 11/14	1.000 EA
LB1118	LABEL,WARNING (ROLL LABEL)	1.000 EA
LC0007	CONNECTION LABEL	1.000 EA
NP2601L	ALUM SUPER-E UL CSA-EEV PREM CC THERMAL	1.000 EA
27PA1001	PKG GRP, PRINT PK1027A06	1.000 EA

AC Induction Motor Performance Data

Record # 53123 - Typical performance - not guaranteed values

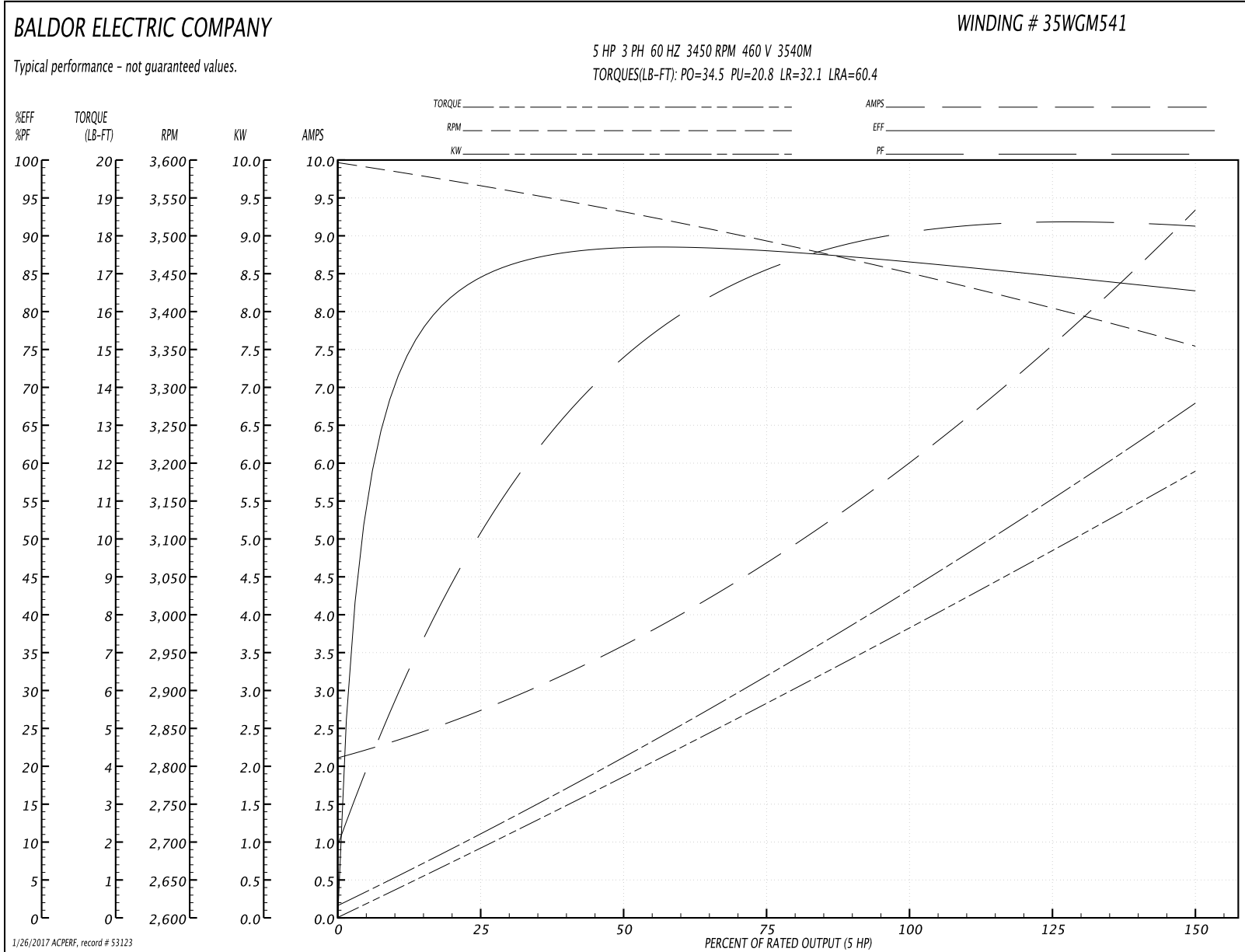
Winding: 35WGM541-R003	Type: 3540M	Enclosure: OPEN
-------------------------------	--------------------	------------------------

Nameplate Data				460 V, 60 Hz: High Voltage Connection	
Rated Output (HP)	5			Full Load Torque	7.65 LB-FT
Volts	230/460			Start Configuration	direct on line
Full Load Amps	12.2/6.1			Breakdown Torque	34.5 LB-FT
R.P.M.	3450			Pull-up Torque	20.8 LB-FT
Hz	60	Phase	3	Locked-rotor Torque	32.1 LB-FT
NEMA Design Code	A	KVA Code	L	Starting Current	60.4 A
Service Factor (S.F.)	1.15			No-load Current	2.21 A
NEMA Nom. Eff.	86.5	Power Factor	89	Line-line Res. @ 25°C	2.93 Ω
Rating - Duty	40C AMB-CONT			Temp. Rise @ Rated Load	56°C
S.F. Amps				Temp. Rise @ S.F. Load	68°C
				Locked-rotor Power Factor	48.2
				Rotor inertia	0.111 LB-FT ²

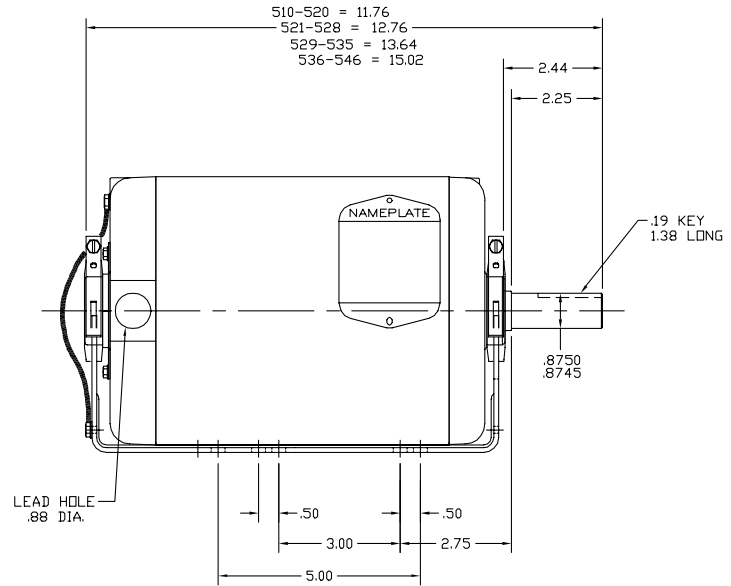
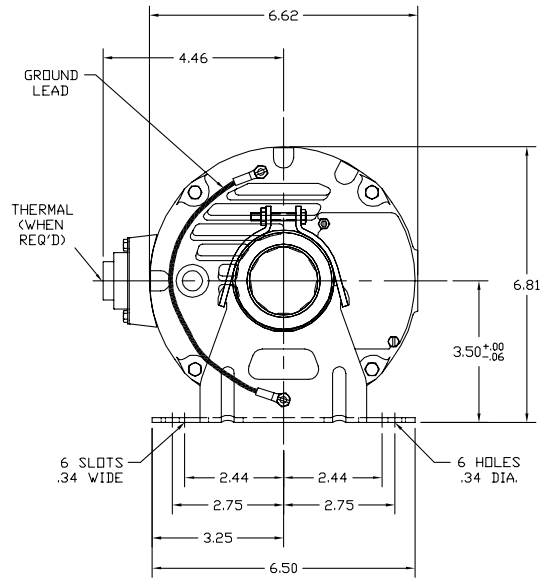
Load Characteristics 460 V, 60 Hz, 5 HP

% of Rated Load	25	50	75	100	125	150	S.F.
Power Factor	54	76	85	89	91	92	90
Efficiency	83.8	88.1	87.9	86.9	84.9	82.6	85.7
Speed	3564	3530	3493	3452	3406	3353	3424
Line amperes	2.62	3.53	4.75	6.1	7.57	9.29	6.98

Performance Graph at 460V, 60Hz, 5.0HP Typical performance - Not guaranteed values



35LYJ829



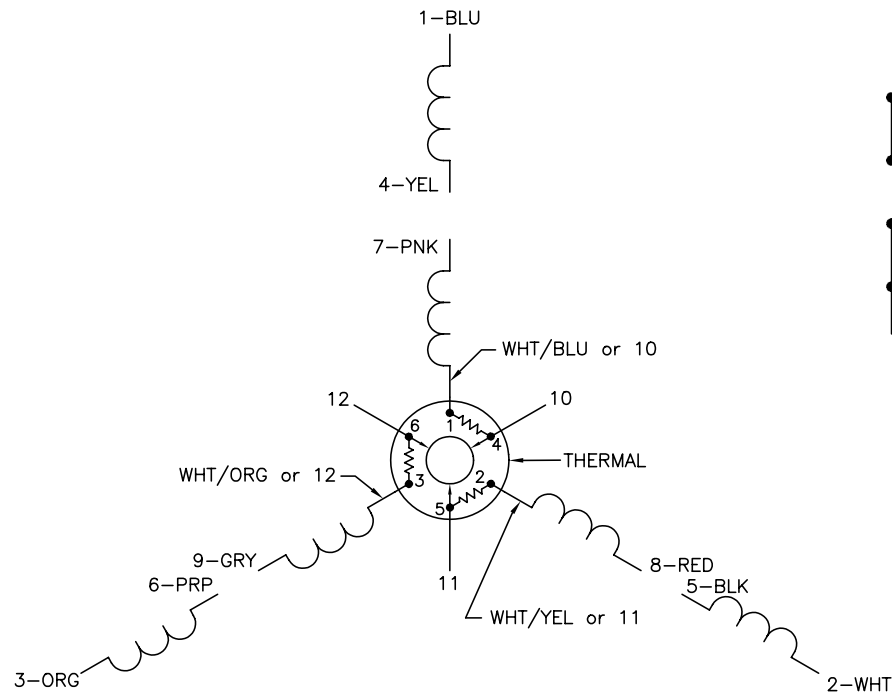
35LYJ829

CUSTOMER IS RESPONSIBLE FOR DETERMINING THAT BALDOR'S PRODUCT WILL PERFORM SUITABLY IN THE INTENDED APPLICATION.

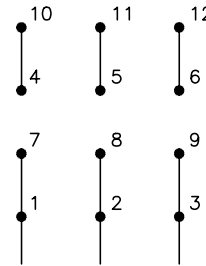
REV. DESC: CHANGED FRAME DISCRPTION TO 143-5TY W/56HZ	VERSION: 01	TDR: 000000547795
REV. LTR: C	REVISD: 10: 37:14 07/07/2010	BY: ENJERWO
FILE: \AAA\00014\320		
MTL: -		

BALDOR • DODGE • RELIANCE
SPL HORZ 35M 143-5TY/56HZ OPEN RESIL MTD W/TERM PLATE
SH 1 of 1

CD0007

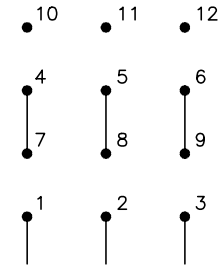


LOW VOLTAGE
(2Y)



LINE

HIGH VOLTAGE
(1Y)



LINE

NOTES:

1. INTERCHANGE ANY TWO LINE LEADS TO REVERSE ROTATION.
2. ACTUAL NUMBER OF INTERNAL PARALLEL CIRCUITS MAY VARY.
3. LEAD COLORS ARE OPTIONAL. LEADS MUST ALWAYS BE NUMBERED AS SHOWN.

REV. DESC: ADDED "CK" PLANT CODE			
REV. LTR: E	BY: EAH	REVISED: 05/06/99 17:1	TDR: 0181040
L00000		FILE: AAA00008370	MDL: -
		MTL: -	

BALDOR ELECTRIC Co.

3PH, DV, THERMAL, 12 LEADS

CD0007