

# **BALDOR**® • ***RELIANCE***

## **Product Information Packet**

# **IDDRPM25606**

**60HP, 1150RPM, 3PH, N/AHZ, 2578, DPG-FV,**

Part Detail							
Revision:	-	Status:	PRD/A	Change #:		Proprietary:	No
Type:	AC	Prod. Type:		Elec. Spec:	L1866A	CD Diagram:	422927-001
Enclosure:	DPFV	Mfg Plant:		Mech. Spec:		Layout:	617218-001
Frame:	RL2578	Mounting:	F1	Poles:	04	Created Date:	04-10-2015
Base:		Rotation:	R	Insulation:	H	Eff. Date:	04-13-2015
Leads:						Replaced By:	
Literature:		Elec. Diagram:					



Parts List		
Part Number	Description	Quantity
WS286724	WS P25R0237	1.000 EA
RA282932	RA P25R0237	1.000 EA
000613006NN	RPM AC WITH CERTIFIED LOGOS	1.000 EA
000692000FP	NP, WARNING LIFT INSTRUCTIONS	1.000 EA
000692000VD	LABEL WARNING	1.000 EA
036170004EA	ROUND HEAD DRIVE SCREW	4.000 EA
422927001	C/D LABEL	1.000 EA
036100080KA	M10-1.50X 80MM HXSOCHDCS	3.000 EA
036140001C	EYEBOLT - 400	2.000 EA
036500010AB	METRIC NUT M10-1.5PLTD400	4.000 EA
036500010AB	METRIC NUT M10-1.5PLTD400	4.000 EA
400638001H	SPRING WASHER	1.000 EA
602018077A	DRAIN	1.000 EA
602018077A	DRAIN	1.000 EA
609830005S	STUD FRAME .375X14.7 L	4.000 EA
807528202EAE	BRKT,DE,RL250,DPFV	1.000 EA
807528203CCB	BRKT,ODE,RL250,DPFV	1.000 EA
000613006NT	NAME PLATE IEC	1.000 EA
032018004AK	HHCS 1/4-20X1/2 PLATED	2.000 EA
032018004DK	HHCS,DRIP COVER	4.000 EA
032018008CK	HHCS 3/8-16X1L PLATED	4.000 EA
034017014AB	LCKW 3/8 STD. PLATED	4.000 EA
036000012JB	M8-1.25 X 12MM HXHDC	3.000 EA
036000012JB	M8-1.25 X 12MM HXHDC	4.000 EA

Parts List (continued)		
Part Number	Description	Quantity
036000020HB	HHCS M6-1.0X20MM PLATED	4.000 EA
036000020HB	HHCS M6-1.0X20MM PLATED	8.000 EA
036321020HB	HEXSOCKET FLAT SCREW M	4.000 EA
036600009AB	METRIC FLWASH M8 PLATED	3.000 EA
036620008AB	M6 METRIC EXT LOCKWASHER	1.000 EA
065591000B	GASK 250-280	1.000 EA
075454001AJ	C/BOX, PAINTED 250-280	1.000 EA
075455000A	CBOXC, PAINTED 250-280	1.000 EA
410978010C	FLANGE, INLET BLOWER HSG.	1.000 EA
410978019A	SCREEN, INLET FLANGE	1.000 EA
415000103A	T/LUG #14AWG-#4AWG W/HOLE FOR .250 BOLT	1.000 EA
417733004T	GASKET CONDUIT BOX	2.000 EA
418018074A	GROUND LABEL G100 METRIC 160 D.C.	1.000 EA
422919352	CVRKT BE RL250	1.000 EA
422919352	CVRKT BE RL250	1.000 EA
609843001AG	GASKET HANDHOLD COVER	1.000 EA
610409128A	ADAPTER, BLOWER	1.000 EA
610490001AH	.75HP,3450//2850RPM,3PH,60//50HZ,56C,351	1.000 EA
611917002A	GASKT	1.000 EA
611965001A	WHEEL, BLOWER	1.000 EA
706305301A	GUARD, SHAFT	1.000 EA
708528004G	HOUSING, BLOWER	1.000 EA
000640000P	TAG WINDING THERMOST	1.000 EA
004824007K	SPECIAL PAINT	0.100 EA

034180024GA	KEY 1/2X1/2X3 L	1.000 EA
418018116	WARNING PLATE	1.000 EA

REL S.O.	-	VOLTS	460	ENCLOSURE	DPFV	WYE	CONN EQ	CKT OHMS	PER PHASE	
FRAME	RL2578	AMPS	73	MAX SAFE RPM	5000	(AT BASE RATING, 25 °C)	R1	.137	X1	.453
HP	60	DUTY	CONT	IM (AMPS)	22	R2	.103	X2	.438	
BASE SPEED	1150	S.F.	1.0	P.F. @NL/FL	.066/.887	XM	12.5			
PHASE/HERTZ	3/40	AMB °C/INSUL	40/H	WK <sup>2</sup> (lb-ft <sup>2</sup> )	4.2					

**RATED FULL LOAD DATA**

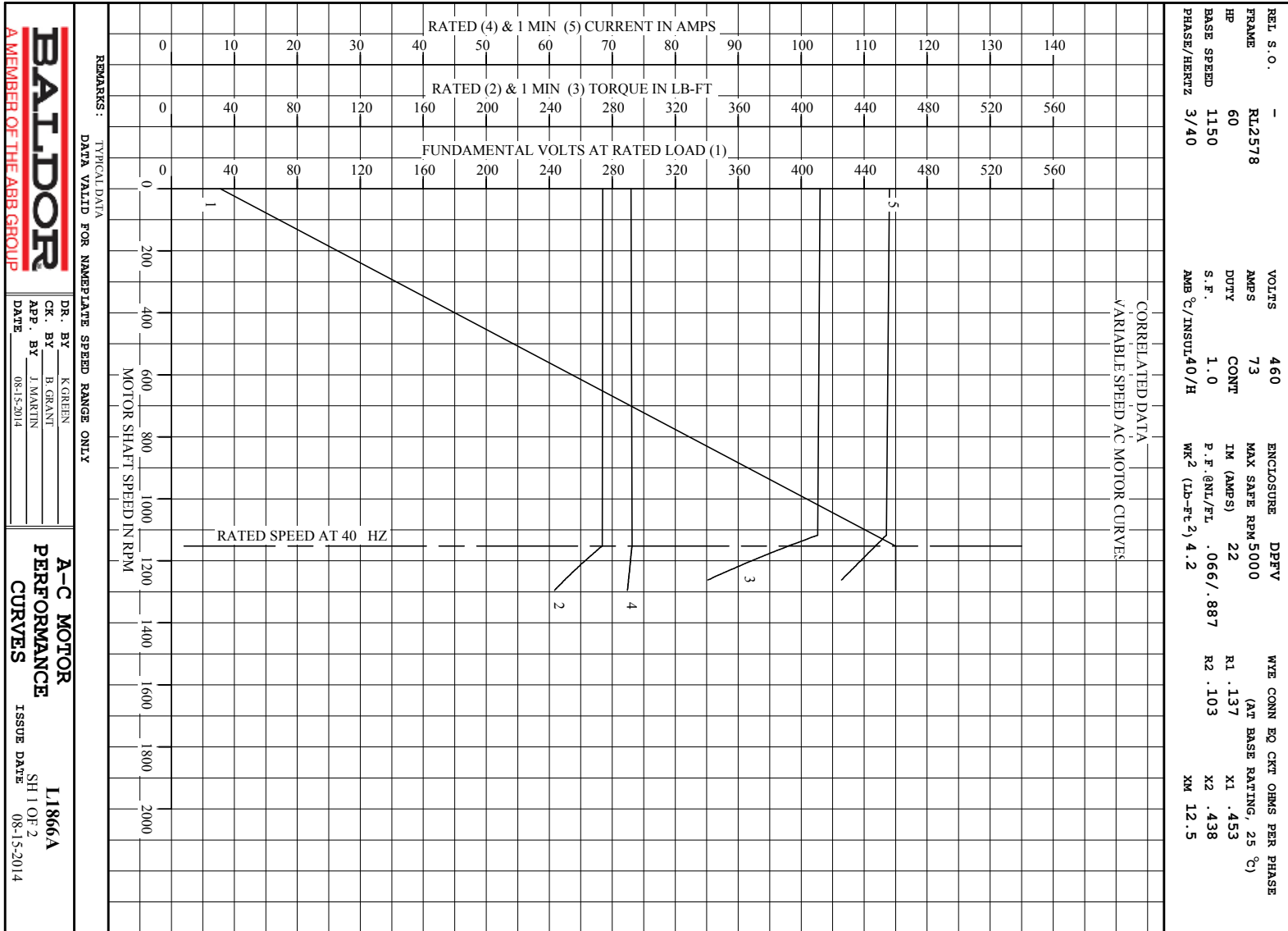
	RPM	HP	TORQUE LB-FT	FUND VOLTS	FREQ-HZ	AMPS
BASE SPEED	1152	60.0	274	460	40	73.1
MAX SPEED	1295	60.0	243	460	45	72.4
MIN SPEED	0	0	0	31.0	1.61	73.0

**LOAD PERFORMANCE AT BASE SPEED**

	RPM	HP	TORQUE LB-FT	FUND VOLTS	FREQ-HZ	AMPS
NO LOAD	1200	0	0	460	40	21.5
1/4	1190	15.0	66	460	40	27.5
1/2	1178	30.0	134	460	40	39.9
3/4	1166	45.0	203	460	40	55.3
FULL LOAD	1152	60.0	274	460	40	73.1
O/L	1117	87.3	410	460	40	114

REMARKS: TYPICAL DATA  
CORRELATED DATA

 <p><b>A MEMBER OF THE ABB GROUP</b></p>	DR. BY	K GREEN	<p><b>A-C MOTOR</b> <b>PERFORMANCE</b> <b>DATA</b></p> <p><b>L1866A</b> ISSUE DATE 08-15-20</p>
	CR. BY	B. GRANT	
	APP. BY	J. MARTIN	
	DATE	08-15-2014	

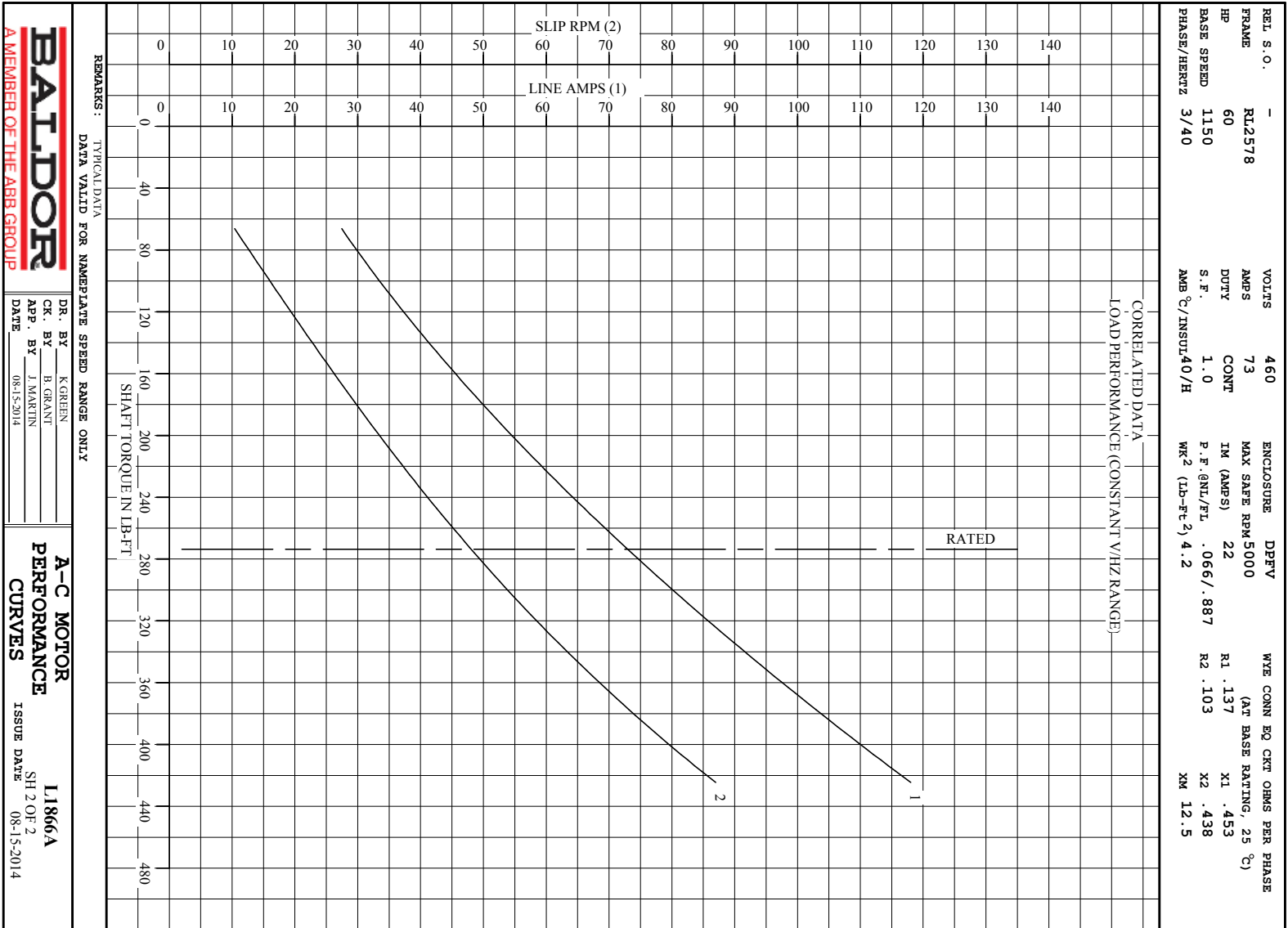


**BALDOR**  
A MEMBER OF THE ABB GROUP

DR. BY K. GREEN  
CR. BY B. GRANT  
APP. BY J. MARTIN  
DATE 08-15-2014

**A-C MOTOR  
PERFORMANCE  
CURVES**

**L1866A**  
SH 1 OF 2  
ISSUE DATE 08-15-2014



**BALDOR**  
A MEMBER OF THE ABB GROUP

DR. BY K GREEN  
CR. BY B GRANT  
APP. BY J MARTIN  
DATE 08-15-2014

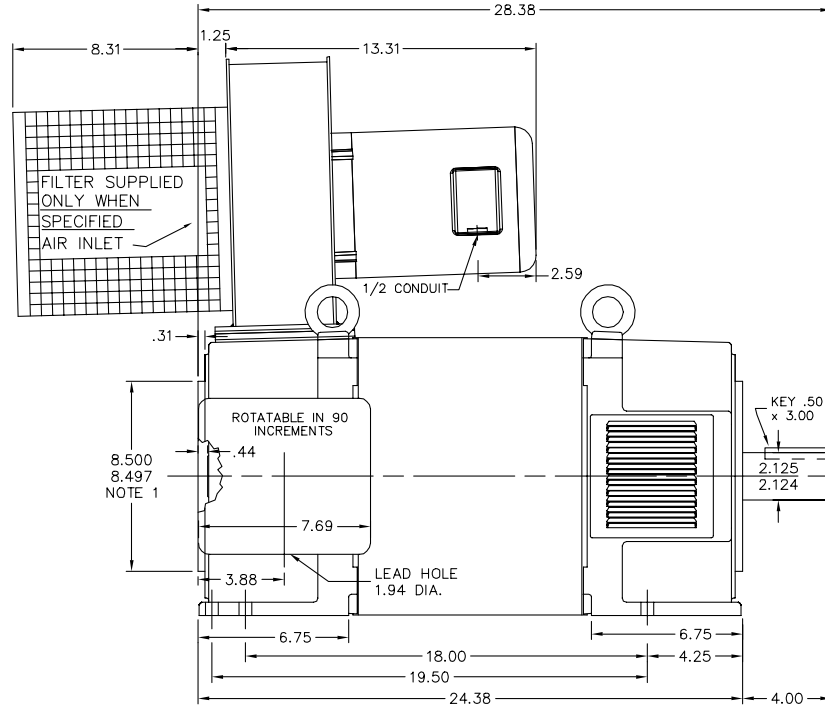
**A-C MOTOR**  
**PERFORMANCE**  
**CURVES**  
L1866A  
SH 2 OF 2  
ISSUE DATE 08-15-2014

617218-001

ENCLOSURE: DRIPPROOF  
 MOUNTING: FOOT  
 DRIVE METHOD: COUPLED OR BELTED

**RPMAC VARIABLE SPEED ALTERNATING CURRENT MOTOR  
 RL & URL2578Z**

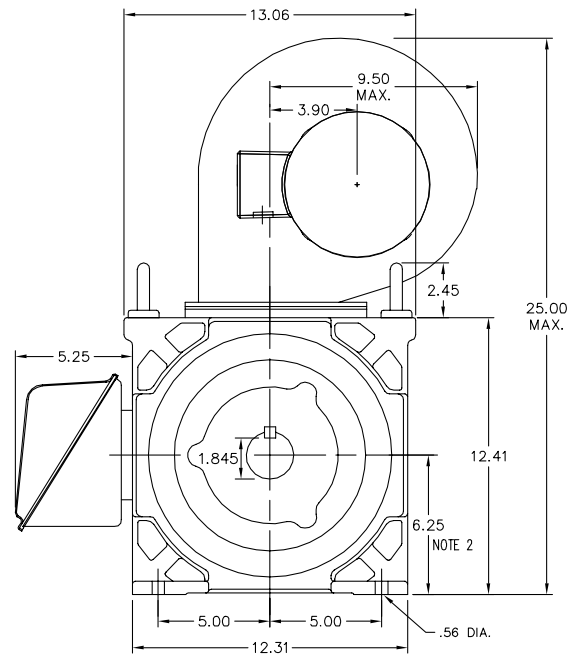
COOLING: FORCE VENTILATED  
 ACCESSORIES: PROVISIONS FOR  
 TACHOMETER MOUNTING  
 ONLY WHEN SPECIFIED



NOTE 1 TACHOMETER MOUNTING  
 1/2-13 TAP, .88 DEEP, ON A 7.25 DIA. BOLT CIRCLE  
 FACE RUNOUT AND ECCENTRICITY .004 MAX. T.I.R.

NOTE 2 SHAFT HEIGHT WILL NOT BE EXCEEDED.  
 SHIMS UP TO .03 INCHES IN THICKNESS ARE USUALLY  
 REQUIRED FOR COUPLED OR GEARED MACHINES.

TERMINAL BOX MAY BE LOCATED F1 OR F2 IF SPECIFIED  
 121 AMP STEEL TERMINAL BOX SHOWN  
 REFER TO 616779-50 FOR SPECIFIC TERMINAL BOX DIMENSIONS



MOTOR WEIGHT 545 LBS. (MAY VARY 15%)

BLOWER ASSEMBLY CAN BE LOCATED TOP or SIDES.  
 BLOWER & TERMINAL BOX MAY NOT BE LOCATED ON SAME SIDE.  
 REFER TO 616779-51 FOR SPECIFIC TACHOMETER DIMENSIONS

DIMENSIONS ARE IN INCHES SCALE 1:1

617218-001

CUSTOMER IS RESPONSIBLE FOR DETERMINING THAT BALDOR'S PRODUCT WILL PERFORM SUITABLY IN THE INTENDED APPLICATION.

REV. DESC: MOVE BLOWER C/BOX TO F1	VERSION: 02	TDR: 000000841149
REV. LTR: B	REVISED: 08:41:07 02/25/2014	BY: RGGWT
FILE: \RGG\00003\444		
MTL: -		

**BALDOR**

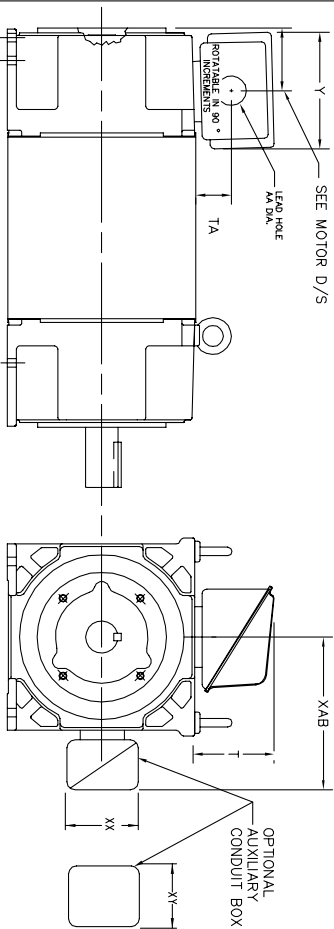
DIM SHT RPMAC DPFV RL & URL2578Z PROV FOR TACH  
 SH 1 of 1

618779-050

# INDUSTRIAL ALTERNATING CURRENT MOTORS

## RPM AC

STEEL, CAST IRON, MILL AND TERMINAL BOARD CONDUIT BOX DIMENSIONS  
 NEMA FRAMES RL210 thru RL280 and IEC FRAMES RDL132 thru RDL180  
 NEMA FRAMES FL180 thru FL280 and IEC FRAMES FDL112 thru FDL180



TERMINAL BOX	Y	TA	T	AA	MAX AMP	REMARKS
706310-63B	14.39	7.43	12.15	--	400	TERMINAL STRIP
706310-226F	9.00	3.06	5.40	Pg36 & Pq16	160	TERMINAL STRIP
706310-225F	7.25	2.30	4.40	Pg29 & Pq16	100	TERMINAL STRIP
706310-56B	9.00	3.06	5.40	Pg36 & Pq16	160	TERMINAL STRIP
706310-56A	7.75	2.30	4.40	Pg29 & Pq16	100	TERMINAL STRIP
706320-14D	15.00	7.56	12.81	5	510	CAST IRON
706320-13A	10.50	4.88	9.00	4.0 TAP	210	CAST IRON
706320-12B	9.25	4.81	8.56	3	140	CAST IRON
75460-62B	7.25	2.50	5.25	1.5 TAP	110	CAST IRON
706320-4C	5.75	2.38	4.38	1.0 TAP	60	CAST IRON FL180 ONLY
706310-3E	16.00	4.40	7.81	3	590	MILL
706310-3X	8.00	2.38	5.00	--	160	MILL
702658-1G	14.62	7.56	12.70	5	500	STEEL
706320-16A	9.00	4.12	8.44	4.59	305	STEEL
706320-9A	7.25	3.50	7.06	2.50	160	STEEL
75454-1AJ	7.69	2.38	5.25	1.94	121	STEEL
75452-B	6.34	2.00	4.12	1.75	61	STEEL
75452-G	6.34	2.00	4.12	--	61	SPECIAL
706320-5A	6.12	2.38	4.38	1.75/2.00	75	STEEL FL180 ONLY
706320-3A	5.00	1.62	3.00	1.12	40	STEEL FL180 ONLY
706320-7A	7.62	2.00	7.00	2.5/3.0	208	STEEL FL180 ONLY

FRAME SIZE	XAB	OPTIMAL AUXILIARY CONDUIT BOX DIMENSIONS (MAXIMUM)				PART NUMBER			
		XX	XY	XZ	YX				
FL210/FL132/RL210/RL132	7.38	4.25	4.25	6.0200-26-A	FL210/FL132/RL210/RL132	10.88	8.00	8.00	706310-3-B
FL230/FL150/RL230/RL150	8.44	4.23	4.23	6.0200-26-A	FL230/FL150/RL230/RL150	11.88	8.00	8.00	706310-3-B
FL280/FL180/RL280/RL180	9.12	4.23	4.23	6.0200-26-A	FL280/FL180/RL280/RL180	12.62	8.00	8.00	706310-3-B

- (1) 'AA' CONDUIT
- (2) 'AA' PIPE TAP
- (3) CUSTOMER TO PROVIDE HOLE FOR CONDUIT.
- (4) Z ON 'SA' OR 'I' TAP ON '4C'

TERMINAL BOX CAN BE ROTATED FOR LEAD OUTLET AT TOP, SIDES OR BOTTOM.  
 TERMINAL BOX LOCATED ON OPPOSITE SIDE WHEN F-2, W-1, W-4, W-5, W-7,  
 OR C-1 MOUNTING IS SPECIFIED. BOX LOCATED ON TOP WHEN SPECIFIED.

050-60761919

CUSTOMER IS RESPONSIBLE FOR DETERMINING THAT BALDOR'S PRODUCT WILL PERFORM SUITABLY IN THE INTENDED APPLICATION.

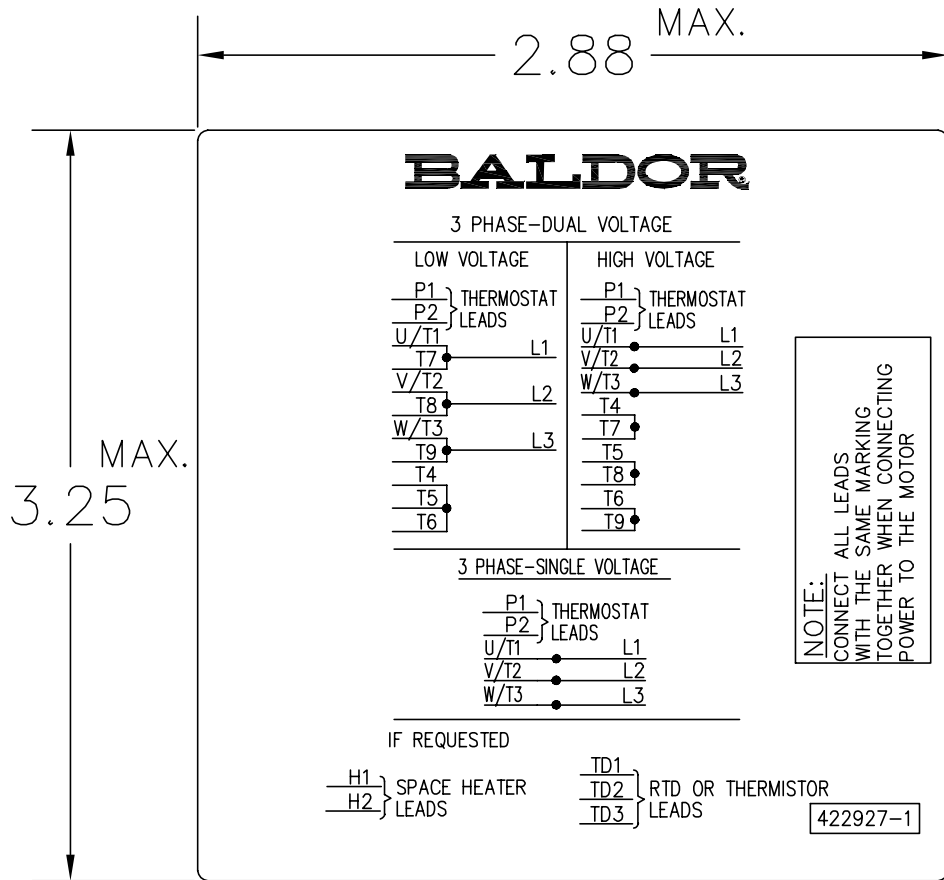
REV. DESC: BOX # 706320-9A, CHANGE AA DIM FROM 2 TO 2.50	TDR: 000000785386
REV. LTR: C	VERSION: 03
FILE: \RGG\00003\692	REVISED: 08:40:55 02/11/2013
MTL: -	BY: RGGWT

**BALDOR**

DIM SHT NEMA RL210-RL280 FL180-FL280 IEC RDL132-RDL180

SH 1 of 1

422927-001



NOTE:  
DATA TO BE SIZED  
SO THAT IT FITS INTO  
MATERIAL DECAL  
DIMENSIONS. MAKE  
LETTERS & NUMBERS  
AS LARGE AS POSSIBLE.

MATERIAL: CERAMATIC DGF-P4  
PERMA GRIP ADHESIVE

ALL LETTERS, NUMBERS  
AND LINES TO BE BLACK  
ON WHITE BACKGROUND.

NOTE:  
CONNECT ALL LEADS  
WITH THE SAME MARKING  
TOGETHER WHEN CONNECTING  
POWER TO THE MOTOR

422927-001

REV. DESC: CHANGE BACKGROUND COLOR FROM GOLD TO WHITE		
REV. LTR: B	VERSION: 02	TDR: 000000788708
FILE: \RGG\00000\203	REVISED: 08:09:29 03/04/2013	
MTL: -	BY: RGGWT	

**BALDOR**

EXTERNAL CONNECTION LABEL

SH 1 of 1

Marketing maintained PDF of MN406:

<http://www.baldor.com/support/Literature/Load.ashx/MN406?ManNumber=MN406>