

BALDOR® • ***RELIANCE***

Product Information Packet

IDFRPM21154C

15 HP 1750 TEFC FL2162C (250TC)

Part Detail							
Revision:	-	Status:	PRD/A	Change #:		Proprietary:	No
Type:	AC	Prod. Type:		Elec. Spec:	L3307A	CD Diagram:	422927-001
Enclosure:	TEFC	Mfg Plant:		Mech. Spec:		Layout:	617517-023
Frame:	FL2162CZ	Mounting:	F3	Poles:	04	Created Date:	04-10-2015
Base:		Rotation:	R	Insulation:	H	Eff. Date:	04-13-2015
Leads:						Replaced By:	
Literature:		Elec. Diagram:					

Parts List		
Part Number	Description	Quantity
WS286739	WS P21T0397	1.000 EA
RA282947	RA P21T0397	1.000 EA
000613006NN	RPM AC WITH CERTIFIED LOGOS	1.000 EA
000692000FP	NP, WARNING LIFT INSTRUCTIONS	1.000 EA
036170004EA	ROUND HEAD DRIVE SCREW	4.000 EA
418018079A	LABEL	1.000 EA
418018122A	LABEL	2.000 EA
422927001	C/D LABEL	1.000 EA
036100080KA	M10-1.50X 80MM HXSOCHDCS	3.000 EA
036500010AB	METRIC NUT M10-1.5PLTD400	4.000 EA
036500010AB	METRIC NUT M10-1.5PLTD400	4.000 EA
036610010AB	MHSLW M10 PLATED	4.000 EA
400638001AB	WASHER SPRING - 210	1.000 EA
418057491A	LIFTING LUG	2.000 EA
602018077A	DRAIN	1.000 EA
602018077A	DRAIN	1.000 EA
609830005AN	TBOLT PURGE MTR	4.000 EA
807581003BAA	BRKT,FL210,DE 807581-1WCB	1.000 EA
807581004AAB	BRKT,FL210,DE 807581-2WCB	1.000 EA
032018004AK	HHCS 1/4-20X1/2 PLATED	2.000 EA
034180010DA	KEY 1/4X1/4X1-1/4L	1.000 EA
036000020HB	HHCS M6-1.0X20MM PLATED	4.000 EA
036321020HB	HEXSOCKET FLAT SCREW M	3.000 EA
036620008AB	M6 METRIC EXT LOCKWASHER	1.000 EA

Parts List (continued)		
Part Number	Description	Quantity
065564000B	GASK 250-280	1.000 EA
075452000B	C/BOX, PAINTED 210-250	1.000 EA
075453000A	CBOXC, PAINTED 250-280	1.000 EA
078547001P	FAN 210	1.000 EA
406673002AE	2" CAP PLUG	1.000 EA
406673002C	.75 CAP PLUG	1.000 EA
415000103A	T/LUG #14AWG-#4AWG W/HOLE FOR .250 BOLT	1.000 EA
415072001B	CLAMP	1.000 EA
417733004T	GASKET CONDUIT BOX	2.000 EA
418018074A	GROUND LABEL G100 METRIC 160 D.C.	1.000 EA
418057373A	SCREW SHEET METAL	7.000 EA
708533003A	PLATE, BTM FAN/BLOWER	2.000 EA
708533050A	COVER, FAN	1.000 EA
708533051A	GRILL, FAN COVER	1.000 EA
000640000P	TAG WINDING THERMOST	1.000 EA
004824007K	SPECIAL PAINT	0.100 EA
034180022FA	KEY 3/8X3/8X2-3/4 L	1.000 EA

REL. S.O.	-	VOLTS	460	ENCLOSURE	TEFC	WYE CONN EQ CKT OHMS PER PHASE (AT BASE RATING, 25 °C)
FRAME	FL2162	AMPS	20	MAX SAFE RPM	5000	
HP	15	DUTY	CONT	IM (AMPS)	11	R1 .250 X1 1.04
BASE SPEED	1775	S.F.	1.0	P.F.@NL/FL	.071/.781	R2 .149 X2 1.47
PHASE/HERTZ	3/60	AMB °C/INSUL	40/H	WK ² (LB-FT ²)	1.92	XM 24.4

RATED FULL LOAD DATA

	RPM	HP	TORQUE LB-FT	FUND VOLTS	FREQ-HZ	AMPS
BASE SPEED	1776	15.0	44	460	60	20.1
MAX SPEED	3548	15.0	22	460	120	18.4
MIN SPEED	0	0	44	14.4	.797	20.1


LOAD PERFORMANCE AT BASE SPEED

	RPM	HP	TORQUE LB-FT	FUND VOLTS	FREQ-HZ	AMPS
NO LOAD	1800	0	0	460	60	10.6
1/4	1794	3.75	11	460	60	11.7
1/2	1788	7.50	22	460	60	13.7
3/4	1782	11.3	33	460	60	16.7
FULL LOAD	1776	15.0	44	460	60	20.1
O/L	1748	29.5	89	460	60	36.2

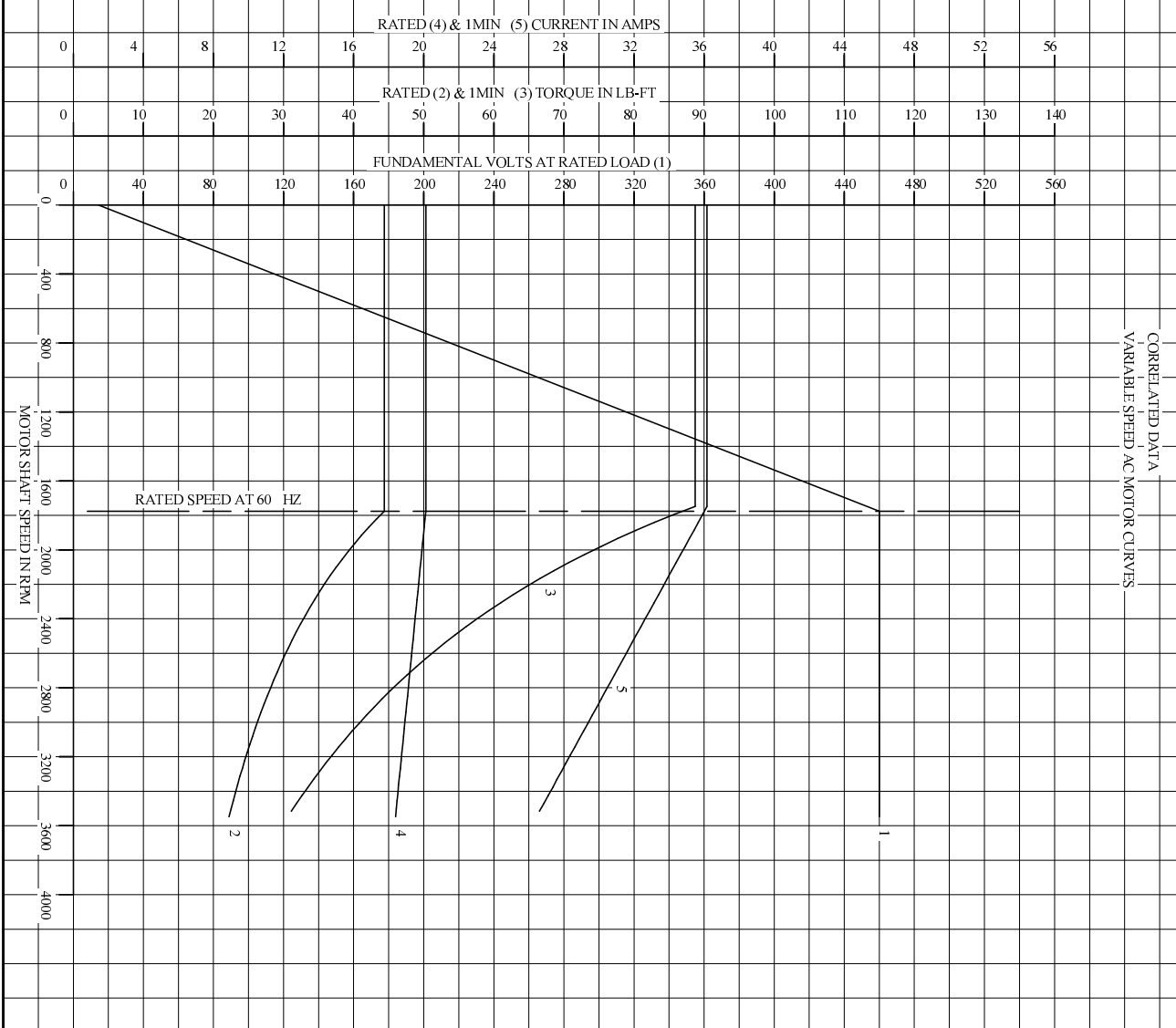
BLOWER DATA

VOLTS	PH/HZ	FL AMPS	LR AMPS	FRAME	CFM

REMARKS: TYPICAL DATA
CORRELATED DATA

	DR. BY	B. GRANT	A-C MOTOR PERFORMANCE DATA L3307A ISSUE DATE 6-6-06
	CK. BY	T. CUER	
BALDOR • DOUGLASS • RELIANCE		APP. BY	DATE
		6-6-06	

REL. S.O.	-	VOLTS	460	ENCLOSURE	TEFC	WYE CONN EQ CKT OHMS PER PHASE
FRAME	FL2162	AMPS	20	MAX SAFE RPM	5000	(AT BASE RATING, 25 °C)
HP	15	DUTY	CONT	IM (AMPS)	11	R1 .250 X1 1.04
BASE SPEED	1775	S.F.	1.0	P.F.@NL/FL	.071/.781	R2 .149 X2 1.47
PHASE/HERTZ	3/60	AMB C/INSUL	40/H	WK ² (LB-FT ²)	1.92	XN 24.4

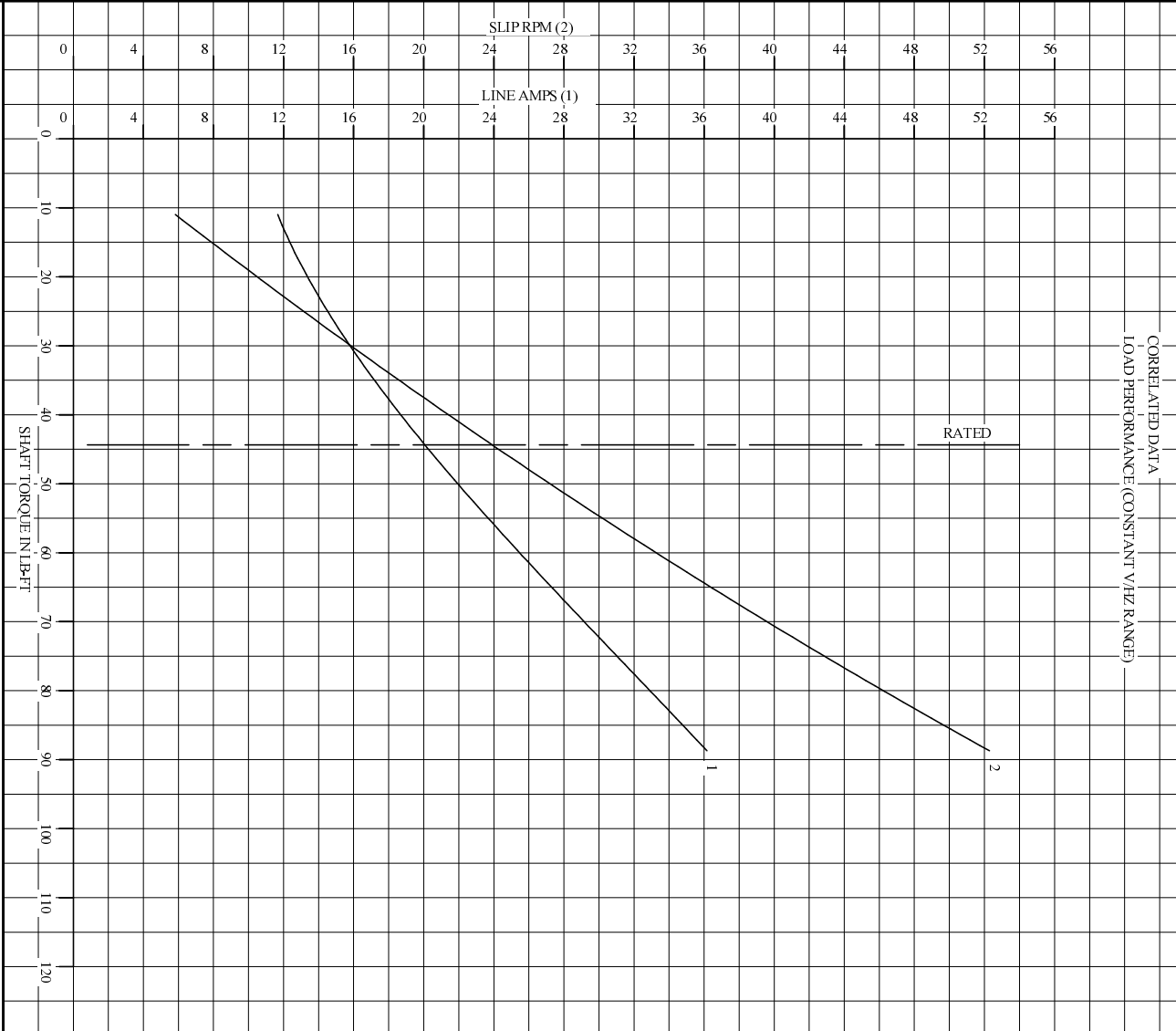


REMARKS: TYPICAL DATA
DATA VALID FOR NAMEPLATE SPEED RANGE ONLY

BALDOR BALDOR • DOUGLASS • RELIANCE	DR. BY	B. GRANT	A-C MOTOR PERFORMANCE CURVES	L3307A SH 1 OF 2 ISSUE DATE 6-6-06
	CK. BY	B. GRANT		
	APP. BY	T. CURR		
	DATE	6-6-06		

1

REL S.O.	-	VOLTS	460	ENCLOSURE	TEFC	WYE CONN EQ CKT OHMS PER PHASE
FRAME	FL2162	AMPS	20	MAX SAFE RPM	5000	(AT BASE RATING, 25°C)
HP	15	DUTY	CONT	IM (AMPS)	11	R1 .250 X1 1.04
BASE SPEED	1775	S.F.	1.0	P.F.@NL/FL	.071/.781	R2 .149 X2 1.47
PHASE/HERTZ	3/60	AMB C/INSUL	40/H	WK ² (LB-FC ²)	1.92	XN 24.4



REMARKS: TYPICAL DATA
DATA VALID FOR NAMEPLATE SPEED RANGE ONLY

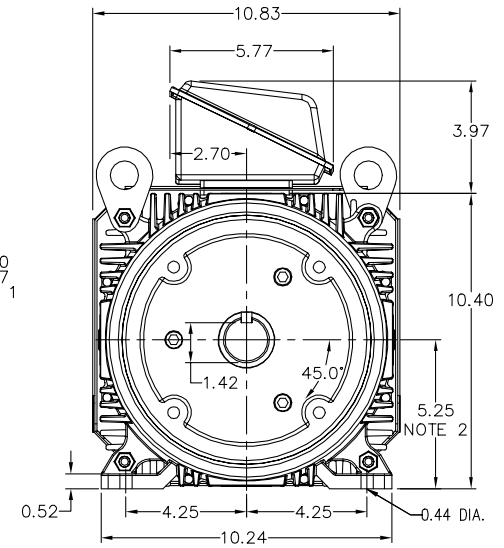
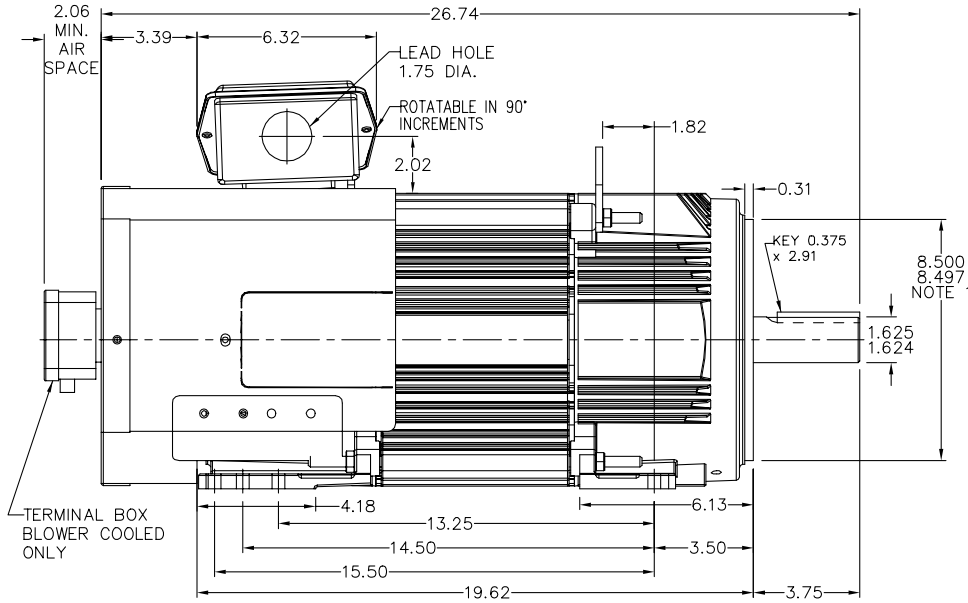
BALDOR BALDOR • DOUG • RELIANCE	DR. BY	B. GRANT	A-C MOTOR PERFORMANCE CURVES	L3307A SH20F2 ISSUE DATE 6-6-06
	CK. BY	B. GRANT		
	APP. BY	T. CURR		
	DATE	6-6-06		

617517-023

RPM-AC FINNED FRAME VARIABLE SPEED ALTERNATING
CURRENT MOTOR
FL2162CZ

ENCLOSURE: TOTALLY ENCLOSED
MOUNTING: FOOT / NEMA 250TC C-FACE
DRIVE METHOD: COUPLED OR BELTED

COOLING: BLOWER COOLED or
FAN COOLED
ACCESSORIES: PROVISIONS FOR
TACHOMETER MOUNTING
ONLY WHEN SPECIFIED



NOTE 1: C-FACE & TACHOMETER MOUNTING
1/2-13 TAP, 1.00 DEEP, ON A 7.25 DIA. BOLT CIRCLE
FACE RUNOUT AND ECCENTRICITY 0.004 MAX. T.I.R.

NOTE 2: SHAFT HEIGHT WILL NOT BE EXCEEDED
SHIMS UP TO 0.03 INCHES IN THICKNESS ARE USUALLY
REQUIRED FOR COUPLED OR GEARED MACHINES

TERMINAL BOX MAY BE LOCATED F1 OR F2 IF SPECIFIED
61 AMP STEEL TERMINAL BOX SHOWN
REFER TO 616779-50 FOR SPECIFIED TERMINAL BOX DIMENSIONS
REFER TO 616779-55 FOR SPECIFIED TACHOMETER DIMENSIONS

MOTOR WEIGHT: 290 LBS. (MAY VARY 15%)
DIMENSIONS ARE IN INCHES SCALE: 1.00

617517-023

CUSTOMER IS RESPONSIBLE FOR DETERMINING THAT BALDOR'S PRODUCT WILL PERFORM SUITABLY IN THE INTENDED APPLICATION.

REV. DESC: ADDED C-FACE DEPTH DIMENSION	VERSION: 01	TDR: 000000493632
REV. LTR: A	REVISED: 13:20:53 03/13/2009	BY: CONDLM
FILE: \RGG\00003\195		
MTL: -		

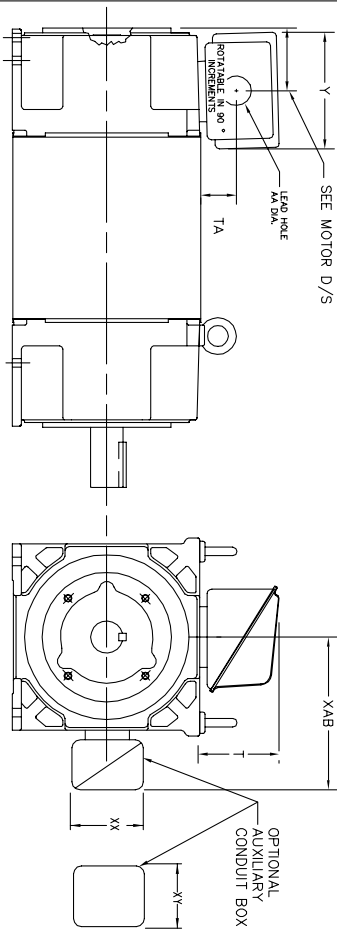
BALDOR • DODGE • RELIANCE
DIM SHT RPMAC TEFC/FC FL2162CZ FT MT PROV FOR TACH
SH 1 of 1

616779-050

INDUSTRIAL ALTERNATING CURRENT MOTORS

RPM AC

STEEL, CAST IRON, MILL AND TERMINAL BOARD CONDUIT BOX DIMENSIONS
 NEMA FRAMES FL210 thru RL280 and IEC FRAMES RDL132 thru RDL180
 NEMA FRAMES FL180 thru FL280 and IEC FRAMES FDL112 thru FDL180



TERMINAL BOX	Y	TA	T	AA	MAX AMP	REMARKS
706310-63B	14.39	7.43	12.15	--	400	TERMINAL STRIP
706310-226R	9.00	3.06	5.40	Pg36 & Pq16	160	TERMINAL STRIP
706310-225R	7.25	2.30	4.40	Pg29 & Pq16	100	TERMINAL STRIP
706310-56B	9.00	3.06	5.40	Pg36 & Pq16	160	TERMINAL STRIP
706310-56A	7.75	2.30	4.40	Pg29 & Pq16	100	TERMINAL STRIP
706320-14D	15.00	7.56	12.81	5	510	CAST IRON
706320-13A	10.50	4.88	9.00	4.0 TAP	210	CAST IRON
706320-12B	9.25	4.81	8.56	3	140	CAST IRON
75460-62B	7.25	2.50	5.25	1.5 TAP	110	CAST IRON
706320-4C	5.75	2.38	4.38	1.0 TAP	60	CAST IRON FL180 ONLY
706310-3E	16.00	4.40	7.81	3	590	MILL
706310-3X	8.00	2.38	5.00	--	160	MILL
702658-1G	14.62	7.56	12.70	5	500	STEEL
706320-16A	9.00	4.12	8.44	4.59	305	STEEL
706320-9A	7.25	3.50	7.06	2.50	160	STEEL
75454-1AJ	7.69	2.38	5.25	1.94	121	STEEL
75452-B	6.34	2.00	4.12	1.75	61	STEEL
75452-G	6.34	2.00	4.12	--	61	SPECIAL
706320-5A	6.12	2.38	4.38	1.75/2.00	75	STEEL FL180 ONLY
706320-3A	5.00	1.62	3.00	1.12	40	STEEL FL180 ONLY
706320-7A	7.62	2.00	7.00	2.5/3.0	208	STEEL FL180 ONLY

FRAME SIZE	XAB	OPTIMAL AUXILIARY CONDUIT BOX DIMENSIONS (MAXIMUM)				PART NUMBER			
		XX	XY	XAB	XY				
FL210/FL132/RL210/ML132	7.38	4.25	4.25	6.0200-7-26-A	FL210/FL132/RL210/ML132	10.88	8.00	8.00	706310-3-B
FL220/FL180/RL220/ML180	8.44	4.23	4.23	6.0200-7-26-A	FL220/FL180/RL220/ML180	11.88	8.00	8.00	706310-3-B
FL280/FL180/RL280/ML180	9.12	4.23	4.23	6.0200-7-26-A	FL280/FL180/RL280/ML180	12.62	8.00	8.00	706310-3-B

- (1) 'AA' CONDUIT
- (2) 'AA' PIPE TAP
- (3) CUSTOMER TO PROVIDE HOLE FOR CONDUIT.
- (4) 'E' DN 'SA' OR 'I' TAP DN '4C'

TERMINAL BOX CAN BE ROTATED FOR LEAD OUTLET AT TOP, SIDES OR BOTTOM.
 TERMINAL BOX LOCATED ON OPPOSITE SIDE WHEN F-2, W-1, W-4, W-5, W-7,
 OR C-1 MOUNTING IS SPECIFIED. BOX LOCATED ON TOP WHEN SPECIFIED.

050-6071919

CUSTOMER IS RESPONSIBLE FOR DETERMINING THAT BALDOR'S PRODUCT WILL PERFORM SUITABLY IN THE INTENDED APPLICATION.

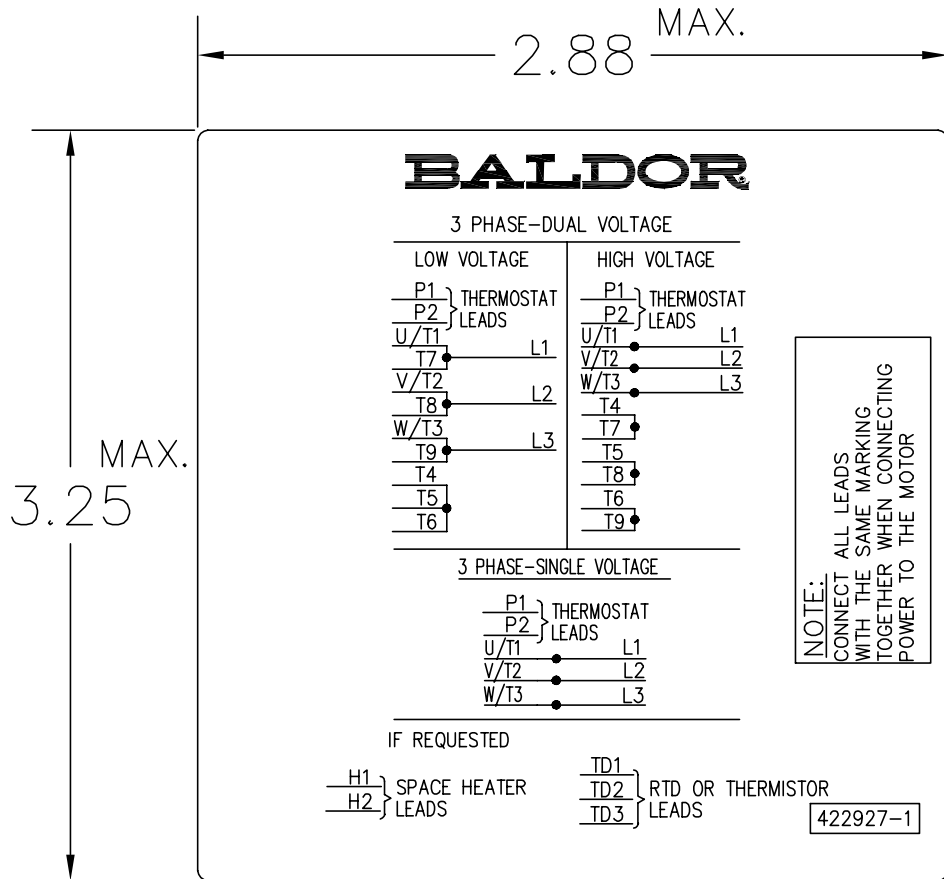
REV. DESC: BOX # 706320-9A, CHANGE AA DIM FROM 2 TO 2.50	TDR: 000000785386
REV. LTR: C	VERSION: 03
FILE: \RGG\00003\692	REVISED: 08:40:55 02/11/2013
MTL: -	BY: RGGWT

BALDOR

DIM SHT NEMA RL210-RL280 FL180-FL280 IEC RDL132-RDL180

SH 1 of 1

422927-001



NOTE:
DATA TO BE SIZED
SO THAT IT FITS INTO
MATERIAL DECAL
DIMENSIONS. MAKE
LETTERS & NUMBERS
AS LARGE AS POSSIBLE.

MATERIAL: CERAMATIC DGF-P4
PERMA GRIP ADHESIVE

ALL LETTERS, NUMBERS
AND LINES TO BE BLACK
ON WHITE BACKGROUND.

422927-001

REV. DESC: CHANGE BACKGROUND COLOR FROM GOLD TO WHITE		
REV. LTR: B	VERSION: 02	TDR: 000000788708
FILE: \RGG\00000\203	REVISED: 08:09:29 03/04/2013	
MTL: -	BY: RGGWT	

BALDOR

EXTERNAL CONNECTION LABEL

SH 1 of 1

Marketing maintained PDF of MN406:

<http://www.baldor.com/support/Literature/Load.ashx/MN406?ManNumber=MN406>