

BALDOR® • *RELIANCE*

Product Information Packet

IDWNM3707T

5HP, 1760RPM, 3PH, 60HZ, 213TC, 3732M, TENV, F1

Part Detail							
Revision:	V	Status:	PRD/A	Change #:		Proprietary:	No
Type:	AC	Prod. Type:	3732M	Elec. Spec:	37WGT811	CD Diagram:	CD0005
Enclosure:	TENV	Mfg Plant:		Mech. Spec:	37H312	Layout:	37LYH312
Frame:	213TC	Mounting:	F1	Poles:	04	Created Date:	
Base:	RG	Rotation:	R	Insulation:	H	Eff. Date:	04-02-2015
Leads:	9#14					Replaced By:	
Literature:		Elec. Diagram:					

Nameplate NP1608L										
CAT NO	IDWNM3707T									
SPEC.	37H312T811G1									
FRAME	213TC				HP	5	TE			
VOLTS	230/460									
MAG CUR	7/3.5				FLA	13.4/6.7				
RPM	1760				RPM MAX	4000				
HZ	60			PH	3		CLASS	H		
SER.F.	1.00			DES	B		SL HZ	1.1		
NEMA-NOM-EFF	89.5			WK2	0.79					
BLWR V				PH			HZ	A		
RATING	40C AMB-CONT									
DE BRG	6307				ODE BRG	6206				
CC	010A			SN						

Parts List		
Part Number	Description	Quantity
SA088504	SA 37H312T811G1	1.000 EA
RA081414	RA 37H312T811G1	1.000 EA
HW3200A01	3/8-16X3/4 I-BLT WELDED F/S	1.000 EA
37CB3005A04W	CASTING W/.75 NPT@6(MACH WHITE)	1.000 EA
37GS1015	GASKET, FOR 37 WD KOBX'S (SANTOPRENE)	1.000 EA
51XW2520A12	.25-20 X .75, TAPTITE II, HEX WSHR SLTD	2.000 EA
HA5027A01	HA4066A01 T-DRAIN X2 BAGGED	1.000 EA
11XW1032G06	10-32 X .38, TAPTITE II, HEX WSHR SLTD U	1.000 EA
37EP3101B18MW	FRONT TENV L&M 206 BRG WD W/ SEAL & THRU	1.000 EA
HW4032A01	BLACK DRAIN PLUG FOR WASH DOWN MOTORS	3.000 EA
HW4600B50SP	SEAL 1.156 X 1.874 X 0.250 SINGLE LIP DB	1.000 EA
HW5100A06	W2420-025 WVY WSHR (WB)	1.000 EA
37EP3300A23MW	WHITE EPOXY EP MACH COMPL	1.000 EA
HW4032A01	BLACK DRAIN PLUG FOR WASH DOWN MOTORS	3.000 EA
HW4600B51	SEAL 1.375 X 2.125 X 0.313 SINGLE LIP DB	1.000 EA
10XN2520S30	1/4-20 X 1 7/8 HEX HEAD SS	4.000 EA
XY3118S12	5/16-18 HEX NUT, STAINLESS STEEL	4.000 EA
35FH4801W	THRU-SHAFT ENCODER COVER INV/VEC F1 & F2	1.000 EA
WD4129	1.50 X 1.50 GRAY SNAP IN PLUG PROMOULD #	2.000 EA
10XN2520S08	SCREW, 1/4-20 X 1/2 HHCS SS	4.000 EA
10XN2520S08	SCREW, 1/4-20 X 1/2 HHCS SS	2.000 EA
37CB4512	CONDUIT BOX LID FOR WASHDOWN 37 FRAME	1.000 EA
37GS1008A02	37 GS FOR CB LID - WHITE NEOPRENE	1.000 EA
59XN0832S07	8/32 X 7/16 HX WS HD SER X	4.000 EA

Parts List (continued)		
Part Number	Description	Quantity
HW4600B33	V-RING SLINGER 1.375 X 1.890 X .35 VITON	1.000 EA
HW2502F21	#303 SS,SQ KEY 5/16 X 2.375	1.000 EA
HA7000A02	KEY RETAINER RING, 1 1/8 DIA, 1 3/8 DIA	1.000 EA
MJ5004A05	#242-21 LOCTITE GENERAL PURPOSE MED. STR	0.005 EA
LB1115N	LABEL,LIFTING DEVICE (ON ROLLS)	1.000 EA
LB1164	LABEL,WARNING AND DRAIN	1.000 EA
MJ1000A02	GREASE, POLYREX EM EXXON (USe 4824-15A)	0.050 LB
MG1025Z02	ACTIVATOR WILKOFAS 060.02HF	0.010 GA
MG1025W01	WILKOFAS 781.01, SIGNAL WHITE #9003	0.028 GA
MJ5001A27	32220KN GRAY SEALER *MIN BUY 4 QTS=1GAL	0.001 QT
85XU0407S04	4X1/4 U DRIVE PIN STAINLESS	2.000 EA
HA3104S14	300UBOLT 12.125LG SS	4.000 EA
LC0145B01	CONNECTION LABEL	1.000 EA
NP1608L	SS WD INV UL CSA CC REV MTG	1.000 EA
36PA1001	PKG GRP, PRINT PK1017A06	1.000 EA
MN416A01	TAG-INSTAL-MAINT no wire (1200/bx) 11/14	1.000 EA

AC Induction Motor Performance Data

Page 1 of 1



AC Induction Motor Performance Data

Record # 11782

Typical performance - not guaranteed values

Winding: 37WGT811	Type: 3732M	Enclosure: TENV
--------------------------	--------------------	------------------------

Nameplate Data			General Characteristics at 460 V, 60 Hz: High Volt Connection		
Rated Output (HP)	5		Full Load Torque	14.9 LB-FT	
Volts	230/460		Start Configuration	DOL	
Full Load Amps	13.4/6.7		Break Down Torque	49.2 LB-FT	
R.P.M.	1760		Pull-Up Torque	12.9 LB-FT	
Hz	60	Phase	3	Locked-rotor Torque	28.8 LB-FT
NEMA Design Code	B	KVA Code	H	Starting Current	48.3 Amps
Service Factor	1		No-load Current	3.53 Amps	
NEMA Nom. Eff.	89.5	P.F.	78	Line-line Res. @ 25°C.	1.73 Ohms
Rating - Duty	40C AMB-CONT		Temp. Rise @ Rated Load	83°C	
S.F. Amps			Temp. Rise @ S.F. Load		

Load Characteristics at 460 Volts, 60 Hz, 5 HP

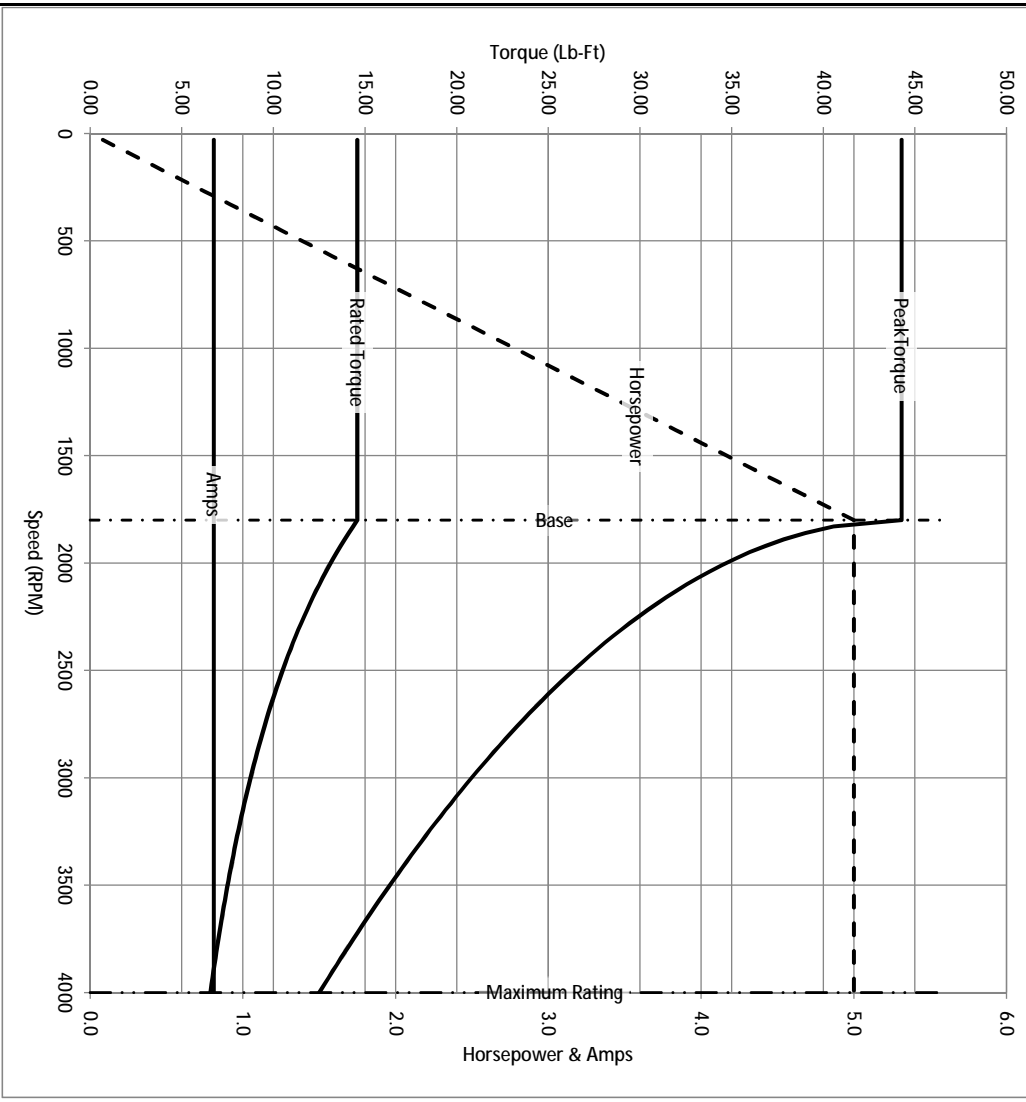
% of Rated Load	25	50	75	100	125	150	S.F.
Power Factor	38	59	71	77	81	82	
Efficiency	83.4	89	90.3	90.3	89.7	88.6	
Speed	1789	1781	1772	1764	1754	1743	
Line Amperes	3.84	4.55	5.54	6.75	8.11	9.66	

Baldor Electric Company Fort Smith, Arkansas

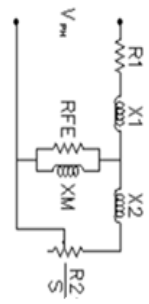


3/6/2013

Catalog	IDWNM3707T	NP VOLTS	230/460	ENCLOSURE	TENV	WYE CONN EQ CRT OHMS PER PHASE (BASE RATING, 20C)
FRAME	213TC	NP AMPS	13.4/6.7	Base Volts	460	R1 0.818 X1 3.106
HP	5 HP	DUTY	Cont	Base AMPS	6.75	R2 0.511 X2 2.961
BASE SPEED	1800	MAX SAFE RPM	4000	Slip Hz	1.20	XM1 70.827
PHASE/HZ	3/60	AMB ⁰ /TNSUL	40/H	WK ² (lb-ft ²)	0.79	



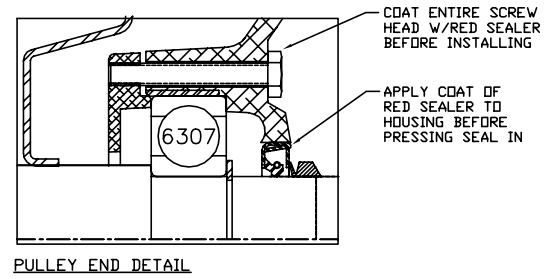
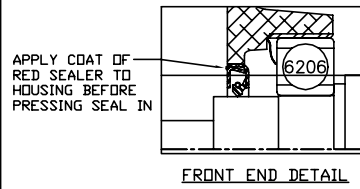
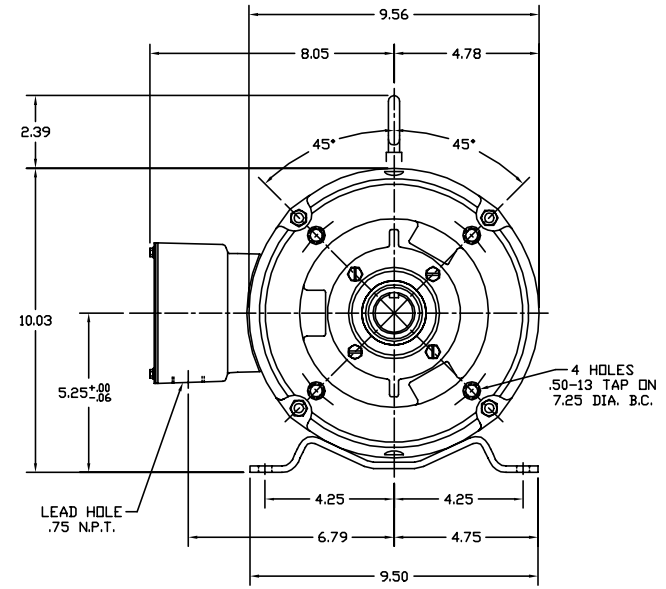
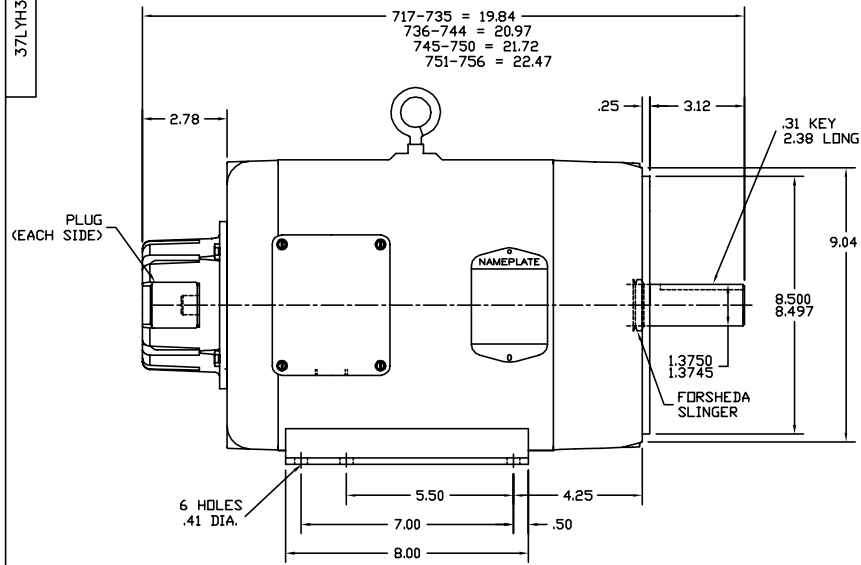
Remarks: Calculated Data



BALDOR
A MEMBER OF THE ABB GROUP

DR BY	ENR	A-C MOTOR	37H312T81G1
CK BY		PERFORMANCE CURVES	
APP BY	ENR		
DATE	3/6/2013	ISSUE DATE	3/6/2013

37LYH312



CUSTOMER IS RESPONSIBLE FOR DETERMINING THAT MOTOR PERFORMANCE IS SUITABLE IN THE APPLICATION.

REV. DESC: ADDED PLUGS FOR INV/VEC COVER			
REV. LTR: C	BY: BGM	REVISED: 13:06:14 09/28/2002	TDR: 280837
FILE: AAA00071023		REF: 37LYH312	
MTL: -			

BALDOR ELECTRIC Co.

DRZ 213-STC TENV 37M WD S/P#9 INVERTER (THRU-SHAFT ENCODER)

37LYH312

CD0005



LOW VOLTAGE
(2Y)



LINE

HIGH VOLTAGE
(1Y)



LINE

NOTES:

1. INTERCHANGE ANY TWO LINE LEADS TO REVERSE ROTATION.
2. OPTIONAL THERMOSTATS ARE PROVIDED WHEN SPECIFIED.
3. ACTUAL NUMBER OF INTERNAL PARALLEL CIRCUITS MAY BE A MULTIPLE OF THOSE SHOWN ABOVE.
4. LEAD COLORS ARE OPTIONAL. LEADS MUST ALWAYS BE NUMBERED AS SHOWN.

REV. DESC: REVISE TO SHOW OPTIONAL COLORS			
REV. LTR: E	BY: JLP	REVISED: 01/19/99 10:15	TDR: 0171435
90000		FILE: AAA00005140	MDL: -
		MTL: -	

BALDOR ELECTRIC Co.

3PH, DV, 9 LEADS

CD0005