

# **BALDOR**® • ***RELIANCE***

## **Product Information Packet**

# **L1301M**

**.33HP, 1725RPM, 1PH, 60HZ, 56, 3414L, OPEN, F1**

| Part Detail |      |                |       |             |          |               |            |
|-------------|------|----------------|-------|-------------|----------|---------------|------------|
| Revision:   | W    | Status:        | PRD/A | Change #:   |          | Proprietary:  | No         |
| Type:       | AC   | Prod. Type:    | 3414L | Elec. Spec: | 34WG5600 | CD Diagram:   | CD0008     |
| Enclosure:  | OPEN | Mfg Plant:     |       | Mech. Spec: | 34F005   | Layout:       | 34LYF005   |
| Frame:      | 56   | Mounting:      | F1    | Poles:      | 04       | Created Date: |            |
| Base:       | RG   | Rotation:      | R     | Insulation: | B        | Eff. Date:    | 07-20-2015 |
| Leads:      | 7#18 |                |       |             |          | Replaced By:  |            |
| Literature: |      | Elec. Diagram: |       |             |          |               |            |

| Nameplate NP1257L |                    |
|-------------------|--------------------|
| CAT.NO.           | L1301M             |
| SPEC.             | 34F05-5600         |
| HP                | .33                |
| VOLTS             | 115/230            |
| AMP               | 6/3                |
| RPM               | 1725               |
| FRAME             | 56                 |
| SER.F.            | 1.35               |
| NEMA-NOM-EFF      | 60                 |
| RATING            | 40C AMB-CONT       |
| CC                | USABLE AT 208V 3.6 |
| DE                | 6203               |
| ENCL              | OPEN               |
|                   | SFA 6.8/3.4        |

|      |   |     |   |    |   |    |   |    |    |    |    |     |      |    |  |
|------|---|-----|---|----|---|----|---|----|----|----|----|-----|------|----|--|
| CODE | L | DES | N | CL | B | PH | 1 | HZ | 60 | PF | 60 | ODE | 6203 | SN |  |
|------|---|-----|---|----|---|----|---|----|----|----|----|-----|------|----|--|

| Parts List    |  |          |
|---------------|--|----------|
| Part Number   | Description                              | Quantity |
| SA007641      | SA 34F05-5600                            | 1.000 EA |
| RA004028      | RA 34F05-5600                            | 1.000 EA |
| NS2512A01     | INSULATOR, CONDUIT BOX X                 | 1.000 EA |
| 34CB3002A     | CB CAST W/.88 DIA HOLE                   | 1.000 EA |
| 51XB1016A07   | 10-16 X 7/16 HXWSSLD SERTYB              | 2.000 EA |
| 11XW1032G06   | 10-32 X .38, TAPTITE II, HEX WSHR SLTD U | 1.000 EA |
| 51XW0832A07   | 8-32 X .44, TAPTITE II, HEX WSHR SLTD SE | 2.000 EA |
| SP1006A01     | TERM. BOARD, MODE 35 SW X H-23655        | 1.000 EA |
| 34EP3210A01SP | FR ENDPLATE, MACH                        | 1.000 EA |
| NS2500A01     | INSULATOR, AUTO THER PROT                | 1.000 EA |
| 34CB4800SP    | CAPACITOR COVER, STAMPED PRIMED          | 1.000 EA |
| 51XB1016A05   | 10-16X5/16HX WA SL SR TYB (F/S)          | 2.000 EA |
| HW5100A03SP   | WAVY WASHER (W1543-017)                  | 1.000 EA |
| 34EP3212A24   | PU ENDPLATE, MODEL 34 OPEN               | 1.000 EA |
| XY1032A02     | 10-32 HEX NUT DIRECTIONAL SERRATION      | 4.000 EA |
| 34CB4517      | CB LID 4 MTG HOLES .22 DIA STAMPED, FOR  | 1.000 EA |
| 51XW0832A07   | 8-32 X .44, TAPTITE II, HEX WSHR SLTD SE | 4.000 EA |
| HW2501D13     | KEY, 3/16 SQ X 1.375                     | 1.000 EA |
| HA7000A04     | KEY RETAINER 0.625 DIA SHAFTS            | 1.000 EA |
| MG1000G27     | MED CHARCOAL METALLIC GREY 400-0096      | 0.014 GA |
| 10XF0440S02   | 04-40 X 1/8 TYPE F HEX HD STAINLESS STIC | 2.000 EA |
| SP5051B16     | MDL 34 TORQ STAT SW,TYPE L , STD F1 & F2 | 1.000 EA |
| EC1189A02SP   | 61B2D120189NNBA ELEC CAP, 189-227MFD, 12 | 1.000 EA |
| HA3100A12     | THRUBOLT 10-32 X 7.375                   | 4.000 EA |

| <b>Parts List (continued)</b> |                                 |                 |
|-------------------------------|---------------------------------|-----------------|
| <b>Part Number</b>            | <b>Description</b>              | <b>Quantity</b> |
| LB1087                        | LABEL,MANUAL RESET (ROLL LABEL) | 1.000 EA        |
| LB1119N                       | WARNING LABEL                   | 1.000 EA        |
| LC0008                        | CONNECTION LABEL                | 1.000 EA        |
| NP1257L                       | ALUM UL CSA CC THERMAL REV MTG  | 1.000 EA        |
| 34PA1002                      | PKG GRP, PRINT PK1001A01        | 1.000 EA        |

**AC Induction Motor Performance Data**  
Record # 6788 - Typical performance - not guaranteed values

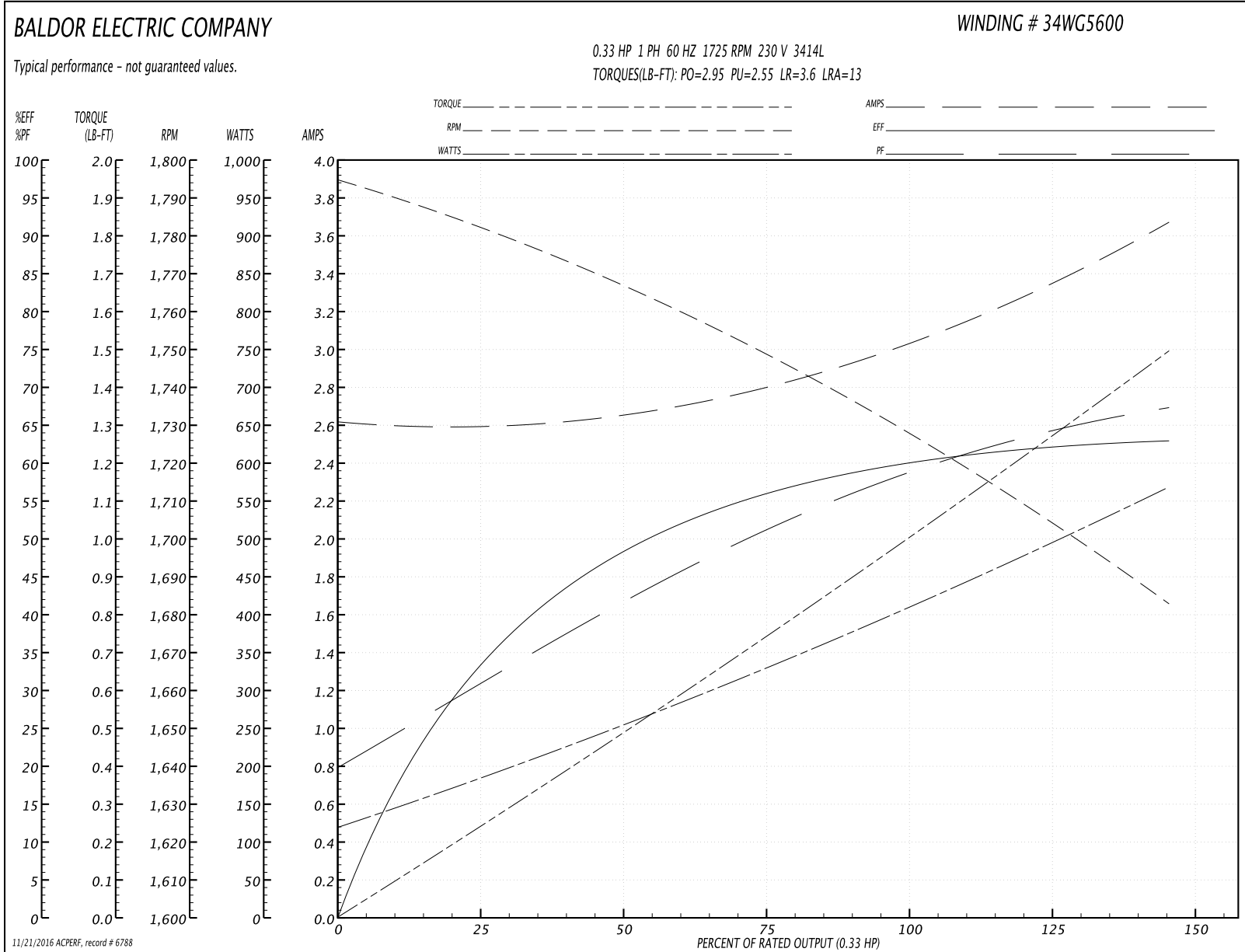
|                               |                    |                        |
|-------------------------------|--------------------|------------------------|
| <b>Winding:</b> 34WG5600-R001 | <b>Type:</b> 3414L | <b>Enclosure:</b> OPEN |
|-------------------------------|--------------------|------------------------|

| Nameplate Data        |              |              |    | 230 V, 60 Hz:<br>High Voltage Connection |                            |
|-----------------------|--------------|--------------|----|--|----------------------------|
| Rated Output (HP)     | .33          |              |    | Full Load Torque                         | 1 LB-FT                    |
| Volts                 | 115/230      |              |    | Start Configuration                      | direct on line             |
| Full Load Amps        | 6/3          |              |    | Breakdown Torque                         | 2.95 LB-FT                 |
| R.P.M.                | 1725         |              |    | Pull-up Torque                           | 2.55 LB-FT                 |
| Hz                    | 60           | Phase        | 1  | Locked-rotor Torque                      | 3.6 LB-FT                  |
| NEMA Design Code      | N            | KVA Code     | L  | Starting Current                         | 13 A                       |
| Service Factor (S.F.) | 1.35         |              |    | No-load Current                          | 2.6 A                      |
| NEMA Nom. Eff.        | 60           | Power Factor | 60 | Line-line Res. @ 25°C                    | 6.32 Ω A Ph<br>4.93 Ω B Ph |
| Rating - Duty         | 40C AMB-CONT |              |    | Temp. Rise @ Rated Load                  | 43°C                       |
| S.F. Amps             | 6.8/3.4      |              |    | Temp. Rise @ S.F. Load                   | 53°C                       |

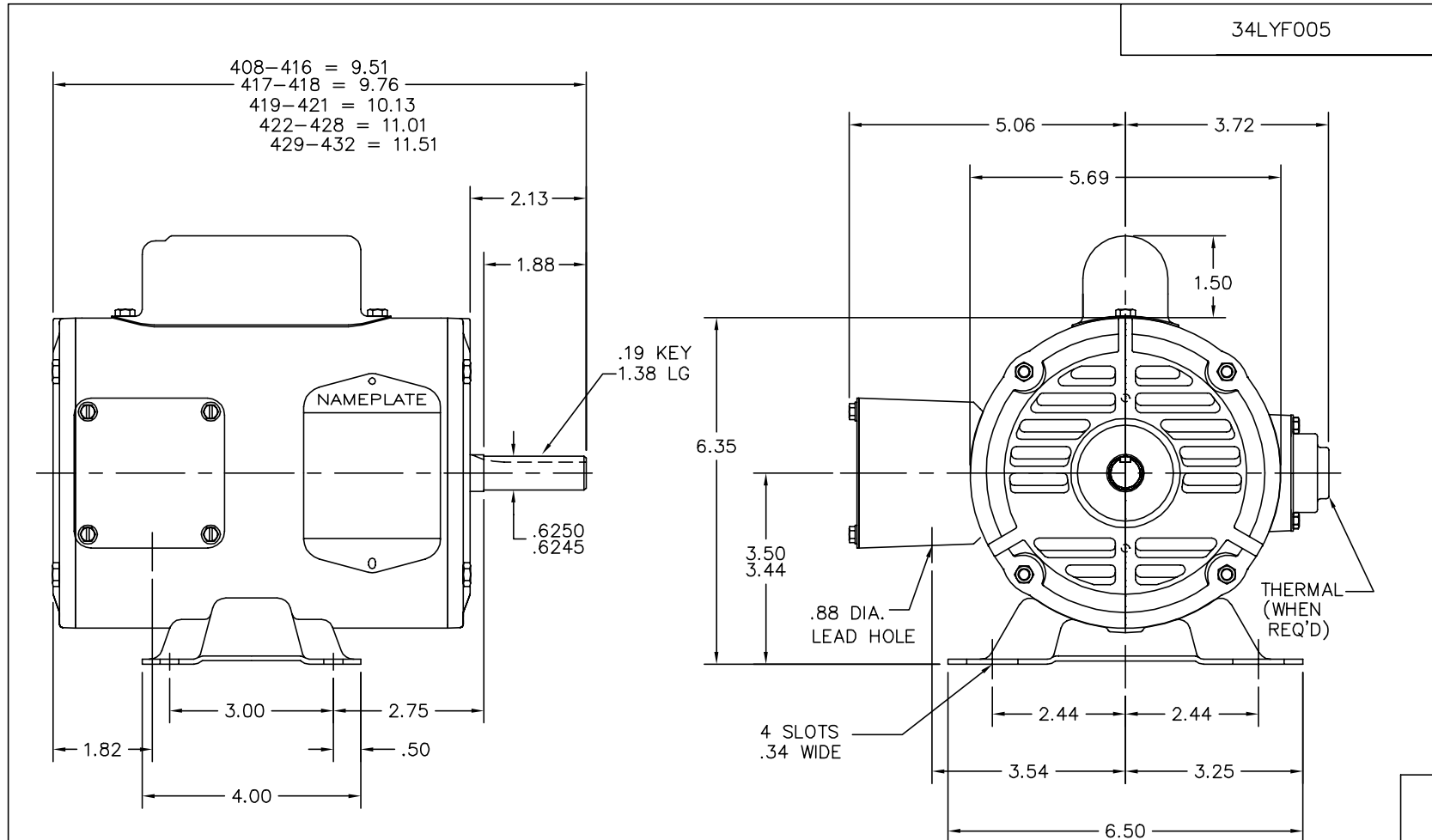
Load Characteristics 230 V, 60 Hz, 0.33 HP

| % of Rated Load | 25   | 50   | 75   | 100  | 125  | 150  | S.F. |
|-----------------|------|------|------|------|------|------|------|
| Power Factor    | 31   | 41   | 51   | 60   | 66   | 72   | 70   |
| Efficiency      | 34   | 49   | 56   | 60   | 62   | 63   | 63   |
| Speed           | 1783 | 1765 | 1745 | 1730 | 1710 | 1680 | 1695 |
| Line amperes    | 2.6  | 2.7  | 2.8  | 3    | 3.3  | 3.7  | 3.4  |

Performance Graph at 230V, 60Hz, 0.33HP Typical performance - Not guaranteed values



11/21/2016 ACPERF: record # 6788



CUSTOMER IS RESPONSIBLE FOR DETERMINING THAT BALDOR'S PRODUCT WILL PERFORM SUITABLY IN THE INTENDED APPLICATION.

|  |             |                                |
|--|-------------|--------------------------------|
| REV. DESC: NEW PUEP MACHINING TO GIVE INFN MORE ROOM |             |                                |
| REV. LTR: G  | VERSION: 03 | TDR: 000000570375              |
| FILE: \AAA\00026\294                                 |             | REVISED: 04: 45: 14 12/06/2010 |
| MTL: -   |             | BY: ENJERWO                    |

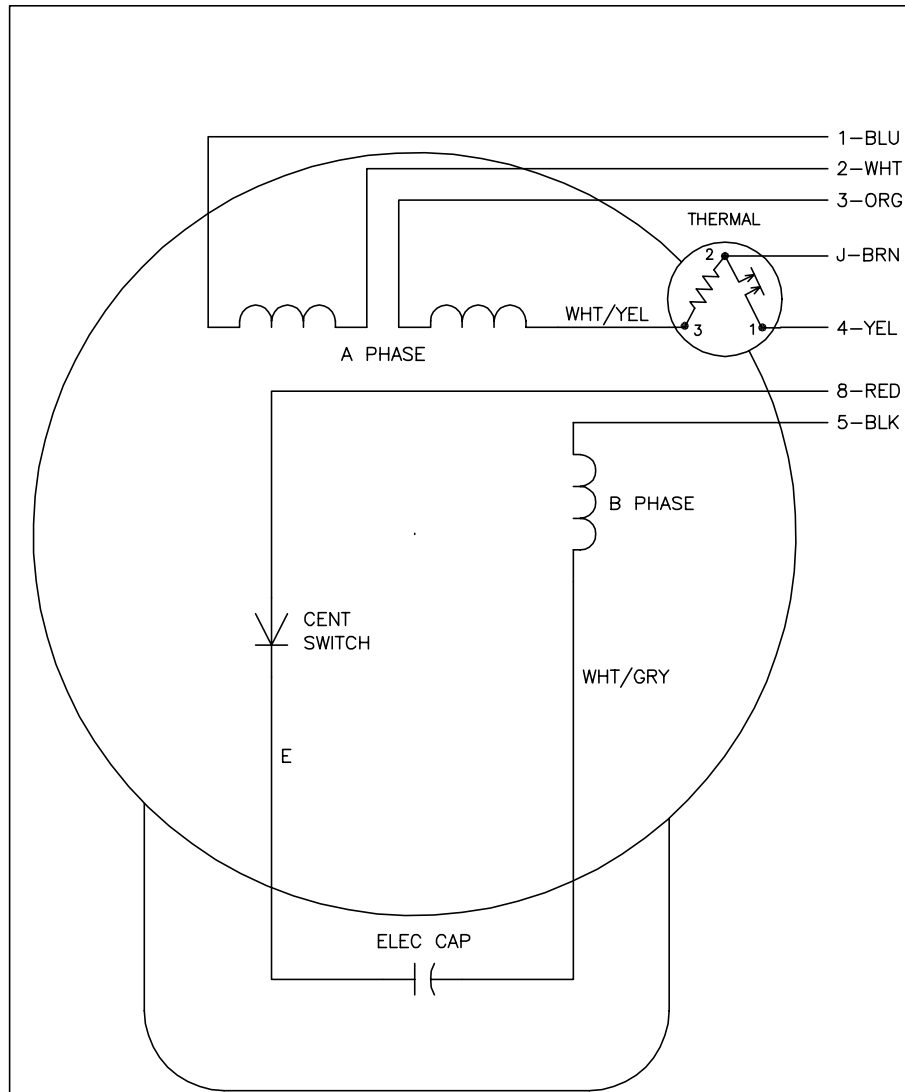
**BALDOR**

STD HORZ MODEL 34L NEMA 56 OPEN

SH 1 of 1

34LYF005

CD0008



|          | LINE A | LINE B | JOIN  | JOIN  |
|----------|--------|--------|-------|-------|
| HIGH STD | 1      | 4      | 2,3,8 | J,5   |
| HIGH OPP | 1      | 4      | 2,3,5 | J,8   |
| LOW STD  | 1,3,8  | 4      | -     | 2,J,5 |
| LOW OPP  | 1,3,5  | 4      | -     | 2,J,8 |

NOTES:

1. STANDARD ROTATION IS CCW FACING END OPPOSITE SHAFT EXTENSION.
2. MULTIPLE CAPACITORS ARE CONNECTED IN PARALLEL UNLESS OTHERWISE SPECIFIED.
3. LEAD COLORS ARE OPTIONAL. LEADS MUST ALWAYS BE NUMBERED AS SHOWN.

|  |                      |                              |
|--|----------------------|------------------------------|
| REV. DESC: REMOVE 2-TERMINAL THERMAL DETAIL, SEE CD0008A02 |                      |                              |
| REV. LTR: F  | VERSION: 01          | TDR: 000000360649            |
| 80000D   | FILE: \AAA\00007\408 | REVISED: 10:56:54 04/18/2005 |
|  | MTL: -               | BY: ENJOEPO                  |

**BALDOR ELECTRIC Co.**

TYPE L, DV, REV, THERMAL, 7 LEADS

CD0008