

# **BALDOR**® • **RELIANCE**

## **Product Information Packet**

### **L1304-50**

**.5HP, 1425RPM, 1PH, 50HZ, 56, 3424L, OPEN, F1**

Part Detail							
Revision:	AD	Status:	PRD/A	Change #:		Proprietary:	No
Type:	AC	Prod. Type:	3424L	Elec. Spec:	34WGW653	CD Diagram:	CD0001
Enclosure:	OPEN	Mfg Plant:		Mech. Spec:	34F005	Layout:	34LYF005
Frame:	56	Mounting:	F1	Poles:	04	Created Date:	
Base:	RG	Rotation:	R	Insulation:	B	Eff. Date:	07-15-2015
Leads:	6#18					Replaced By:	
Literature:		Elec. Diagram:					

Nameplate NP1372L										
CAT.NO.	L1304-50									
SPEC.	34F05W653									
HP	.5									
VOLTS	110/220									
AMP	7.4/3.7									
RPM	1425 IP23									
FRAME	56					HZ	50		PH	1
SER.F.	1.25					CODE	J		DES	N
NEMA-NOM-EFF	62					PF	73		CL	B
RATING	40C AMB-CONT									
CC						USABLE AT 208V				
DE	6203					ODE	6203			
ENCL	OPEN					SN				
	SFA 8.6/4.3									

Parts List		
Part Number	Description	Quantity
SA007645	SA 34F05W653	1.000 EA
RA004032	RA 34F05W653	1.000 EA
NS2512A01	INSULATOR, CONDUIT BOX X	1.000 EA
34CB3002A	CB CAST W/.88 DIA HOLE	1.000 EA
51XB1016A07	10-16 X 7/16 HXWSSLD SERTYB	2.000 EA
11XW1032G06	10-32 X .38, TAPTITE II, HEX WSHR SLTD U	1.000 EA
51XW0832A07	8-32 X .44, TAPTITE II, HEX WSHR SLTD SE	2.000 EA
SP1006A01	TERM. BOARD, MODE 35 SW X H-23655	1.000 EA
34EP3210A01SP	FR ENDPLATE, MACH	1.000 EA
NS2500A01	INSULATOR, AUTO THER PROT	1.000 EA
34CB4800SP	CAPACITOR COVER, STAMPED PRIMED	1.000 EA
51XB1016A05	10-16X5/16HX WA SL SR TYB (F/S)	2.000 EA
HW5100A03SP	WAVY WASHER (W1543-017)	1.000 EA
34EP3212A24	PU ENDPLATE, MODEL 34 OPEN	1.000 EA
XY1032A02	10-32 HEX NUT DIRECTIONAL SERRATION	4.000 EA
34CB4517	CB LID 4 MTG HOLES .22 DIA STAMPED, FOR	1.000 EA
51XW0832A07	8-32 X .44, TAPTITE II, HEX WSHR SLTD SE	4.000 EA
HW2501D13	KEY, 3/16 SQ X 1.375	1.000 EA
HA7000A04	KEY RETAINER 0.625 DIA SHAFTS	1.000 EA
MG1000G27	MED CHARCOAL METALLIC GREY 400-0096	0.014 GA
10XF0440S02	04-40 X 1/8 TYPE F HEX HD STAINLESS STIC	2.000 EA
SP5051B16	MDL 34 TORQ STAT SW,TYPE L , STD F1 & F2	1.000 EA
EC1270A02SP	ELEC CAP, 270-324 MFD, 125V, 1.48D X 3.	1.000 EA
HA3100A45	THRUBOLT 10-32 X 8.875	4.000 EA

<b>Parts List (continued)</b>		
<b>Part Number</b>	<b>Description</b>	<b>Quantity</b>
LC0001A01	CONN LABEL / WARNING LABEL (LC0001 / LB1	1.000 EA
LB1451	WARNING LABEL, CE WARNING SYMBOLS ONLY	1.000 EA
MN416A01	TAG-INSTAL-MAINT no wire (1200/bx) 11/14	1.000 EA
NP1372L	ALUM UL CSA CE CC	1.000 EA
34PA1002	PKG GRP, PRINT PK1001A01	1.000 EA

**AC Induction Motor Performance Data**  
Record # 7050 - Typical performance - not guaranteed values

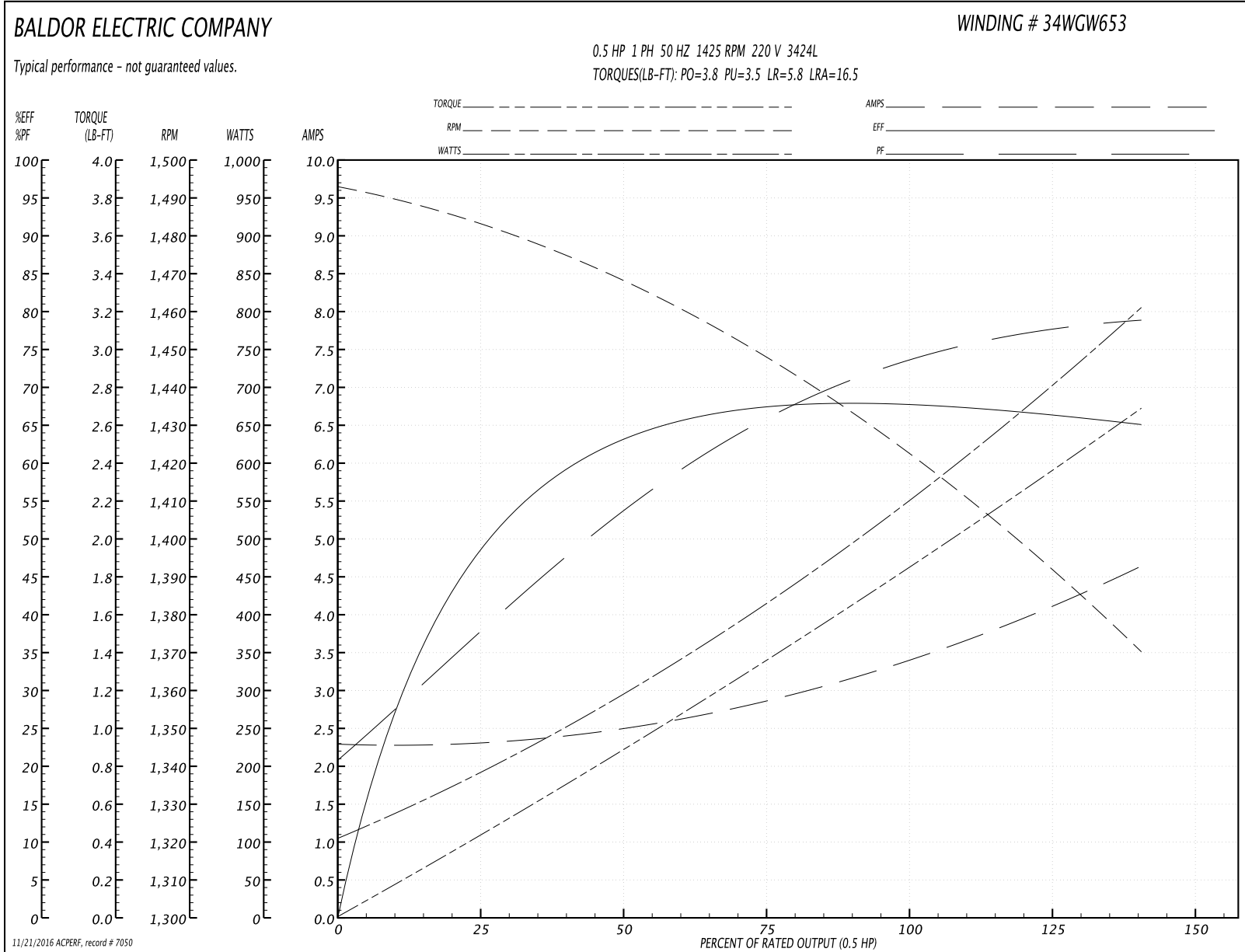
<b>Winding:</b> 34WGW653-R001	<b>Type:</b> 3424L	<b>Enclosure:</b> OPEN
-------------------------------	--------------------	------------------------

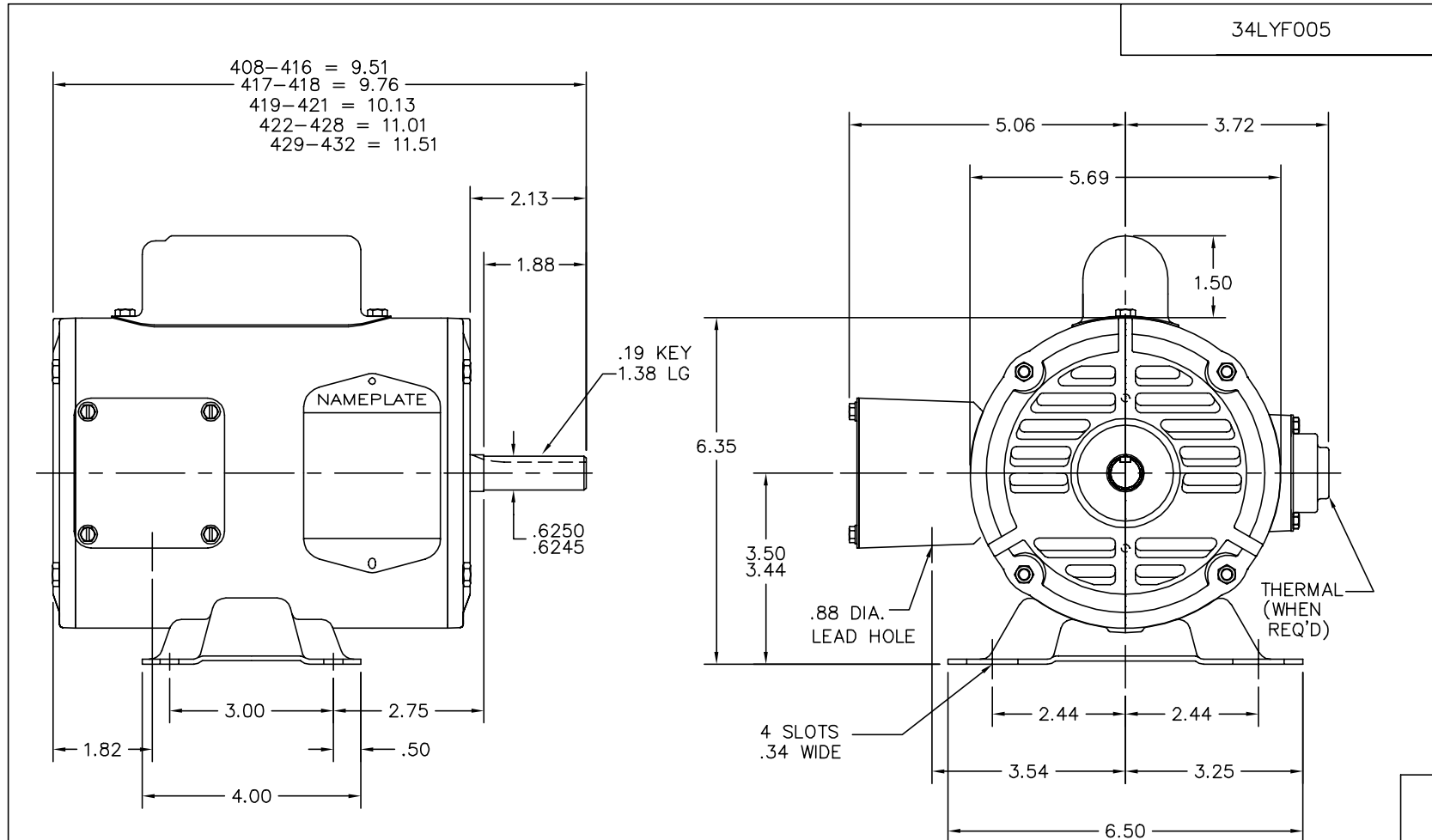
Nameplate Data				220 V, 50 Hz: High Voltage Connection	
Rated Output (HP)	.5			Full Load Torque	1.8 LB-FT
Volts	110/220			Start Configuration	direct on line
Full Load Amps	7.4/3.7			Breakdown Torque	3.8 LB-FT
R.P.M.	1425			Pull-up Torque	3.5 LB-FT
Hz	50	Phase	1	Locked-rotor Torque	5.8 LB-FT
NEMA Design Code	N	KVA Code	J	Starting Current	16.5 A
Service Factor (S.F.)	1.25			No-load Current	2.25 A
NEMA Nom. Eff.	62	Power Factor	73	Line-line Res. @ 25°C	1.22 Ω A Ph 3.91 Ω B Ph
Rating - Duty	40C AMB-CONT			Temp. Rise @ Rated Load	59°C
S.F. Amps	8.6/4.3			Temp. Rise @ S.F. Load	74°C

Load Characteristics 220 V, 50 Hz, 0.5 HP

% of Rated Load	25	50	75	100	125	150	S.F.
Power Factor	38	54	66	75	80	84	0
Efficiency	47.5	61.9	67.3	68.7	67.6	64.4	0
Speed	1481	1466	1448	1427	1402	1367	0
Line amperes	2.35	2.55	2.85	3.3	3.9	4.7	3.9

Performance Graph at 220V, 50Hz, 0.5HP Typical performance - Not guaranteed values





CUSTOMER IS RESPONSIBLE FOR DETERMINING THAT BALDOR'S PRODUCT WILL PERFORM SUITABLY IN THE INTENDED APPLICATION.

REV. DESC: NEW PUEP MACHINING TO GIVE INFN MORE ROOM		
REV. LTR: G	VERSION: 03	TDR: 000000570375
FILE: \AAA\00026\294		REVISED: 04: 45: 14 12/06/2010
MTL: -		BY: ENJERWO

**BALDOR**

STD HORZ MODEL 34L NEMA 56 OPEN

SH 1 of 1

34LYF005

CD0001



REV. DESC: REVISE TO SHOW OPTIONAL COLORS			
REV. LTR: D	BY: JLP	REVISED: 04/08/99 1:16	TDR: 0178636
100000		FILE: AAA00007405	MDL: -
		MTL: -	

**BALDOR ELECTRIC Co.**

TYPE L, DV, REV, 6 LEADS

CD0001