

BALDOR® • ***RELIANCE***

Product Information Packet

OF4411T

125HP, 1140RPM, 3PH, 60HZ, 447T, A44134M, TEFC

Part Detail							
Revision:	M	Status:	PRD/A	Change #:		Proprietary:	No
Type:	AC	Prod. Type:	A44134M	Elec. Spec:	A44WG1541	CD Diagram:	416820-004
Enclosure:	TEFC	Mfg Plant:		Mech. Spec:		Layout:	617427-009
Frame:	447T	Mounting:	F2	Poles:	06	Created Date:	08-21-2012
Base:		Rotation:	R	Insulation:	F	Eff. Date:	09-17-2015
Leads:	6#2					Replaced By:	
Literature:		Elec. Diagram:					

Nameplate NP2531L			
CAT.NO.	OF4411T	SPEC NO.	P44G3991
HP	125	PHASE	3
RPM	1140	DESIGN	D
VOLTS	460/796	TYPE	P
AMPS	145/83.7	AMB	40
DRIVE END BEARING	90BC03J30X	SF	1.15
OPP D.E. BEARING	90BC03J30X	INSUL.CLASS	F
SER.NO.	OVER TEMP PROT 2	ENCL	TEFC
		CODE	G
		NEMA-NOM-EFFICIENCY	91
		MOTOR WEIGHT	2881
		FRAME	447T

Parts List		
Part Number	Description	Quantity
SA254339	SA P44G3991	1.000 EA
RA241147	RA P44G3991	1.000 EA
NP2531L	INDUSTRIAL MOTOR,SS, CSA-C US,	1.000 EA
000692000FF	N/P	1.000 EA
000692000VD	LABEL WARNING	1.000 EA
004824015A	GREASE POLYREX EM	1.156 LB
032018008CK	HHCS 3/8-16X1L PLATED	4.000 EA
032018020FK	HHCS 3/4-10X2-1/2 PLTD.	4.000 EA
032018036DK	HHCS 1/2-13X4-1/2 PLTD.	3.000 EA
032620016LA	SOCKET SET SCREW-449	3.000 EA
034017014AB	LCKW 3/8 STD. PLATED	4.000 EA
034180014DA	KEY 1/4X1/4X1-3/4 L	1.000 EA
034530064AB	P/NIP 1/8 X 8" L Pipe Nipple	1.000 EA
034530064BB	P/NIP 1/4X8 PLATED	1.000 EA
034631002AB	BUSH 1/4 TO 1/8 PLTD.	1.000 EA
034690005AB	PPLG 3/4 PLATED	2.000 EA
083199082A	G28 FAN COVER MACHINING SHORT VERSION	1.000 EA
089490099A	G28 BRKT 089490098WCA KB	1.000 EA
410700004A	WSHR	1.000 EA
412118006A	DRAIN	1.000 EA
415045002A	SLGR	1.000 EA
415096002A	CPLG 1/8 HEX TYPE	1.000 EA
702618003T	FAN 440	1.000 EA
032018004BK	HHCS 5/16-18X1/2 PLATED	3.000 EA

Parts List (continued)		
Part Number	Description	Quantity
032018006BK	HHCS 5/16-18X3/4 PLATED	3.000 EA
032018020FK	HHCS 3/4-10X2-1/2 PLTD.	4.000 EA
032018030DK	HHCS 1/2-13X3-3/4 PLTD.	3.000 EA
034017013AB	LCKW 5/16 STD. PLATED	3.000 EA
034530044AB	P/NIP 1/8X5-1/2L GALV.	1.000 EA
034530044BB	P/NIP 1/4X5-1/2L PLT	1.000 EA
034631002AB	BUSH 1/4 TO 1/8 PLTD.	1.000 EA
034017013AB	LCKW 5/16 STD. PLATED	3.000 EA
089490099A	G28 BRKT 089490098WCA KB	1.000 EA
412118006A	DRAIN	1.000 EA
415915007G	GASK, LAC	1.000 FT
415045002E	SLGR	1.000 EA
415096002A	CPLG 1/8 HEX TYPE	1.000 EA
418151014G	RETAIN RING	1.000 EA
702623022A	G28 AIR DEFLECTOR DRIVE END -- PLASTIC	1.000 EA
702623013A	THERMAL BARRIER -- G28 -- BRACKET MTD	1.000 EA
032018008BK	HHCS 5/16-18X1L PLATED	4.000 EA
032018008DK	HHCS 1/2-13X1 PLATED	4.000 EA
033512004LB	HHTTS 1/4-20X1/2 PLTD.	1.000 EA
035000001A	ALFTG 1/8" 1610-BL	1.000 EA
035000001A	ALFTG 1/8" 1610-BL	1.000 EA
067053014A	GASK 440	1.000 EA
076870000B	+CBCST BLKT - 440	1.000 EA
076871000A	+CBOX CVR BLKT - 449	1.000 EA

Product Information Packet: OF4411T - 125HP,1140RPM,3PH,60HZ,447T,A44134M,TEFC

406056007A	GASKET, 440	1.000 EA
406099000A	PLUG - FAN COVER 320-440	1.000 EA
415000103D	T/LUG #4AWG-1/0AWG W/HOLE FOR .250 BOLT	1.000 EA
418150003A	GREASE FITTING CAP	1.000 EA
MG1025G03	WILKOFAST, 789.901, OIL RIG SILVER	1.000 GA
418150003A	GREASE FITTING CAP	1.000 EA
033775004EA	DRSCR #6-1/4 304 S.S.	2.000 EA
034180054KA	KEY 7/8X7/8X6-3/4 L	1.000 EA
L482401016	SPRAY AC-29-7S	0.037 GA
421948037	LABEL, MYLAR	1.000 EA
604797056	WOOD BASE 447 60 X 41-1/2 BLT 20 X 18	1.000 EA
035000001G	GREASE RELIEF FITTING, ALEMITE 317400	1.000 EA
035000001G	GREASE RELIEF FITTING, ALEMITE 317400	1.000 EA

REL. S.O.	FRAME	HP	TYPE	PHASE/ HERTZ	RPM	VOLTS
	447T	125	P	3/60	1140	460
AMPS	DUTY	AMB °C/ INSUL.	S.F.	NEMA DESIGN	CODE LETTER	ENCL.
145	CONT	40/F	1.15	D	G	TEFC
E/S	ROTOR	TEST S.O.	TEST DATE	STATOR RES. @25 °C OHMS (BETWEEN LINES)		
833142	418143069BA	---	---	.0340		

PERFORMANCE


LOAD	HP	AMPERES	RPM	POWER FACTOR %	EFFICIENCY %
NO LOAD	0	37.8	1200	7.35	0
1/4	31.3	51.0	1186	64.0	89.8
2/4	62.4	76.4	1172	83.9	91.2
3/4	93.8	108	1158	90.2	90.4
4/4	125	143	1142	91.3	89.4
5/4	156	181	1125	91.4	88.7

SPEED TORQUE

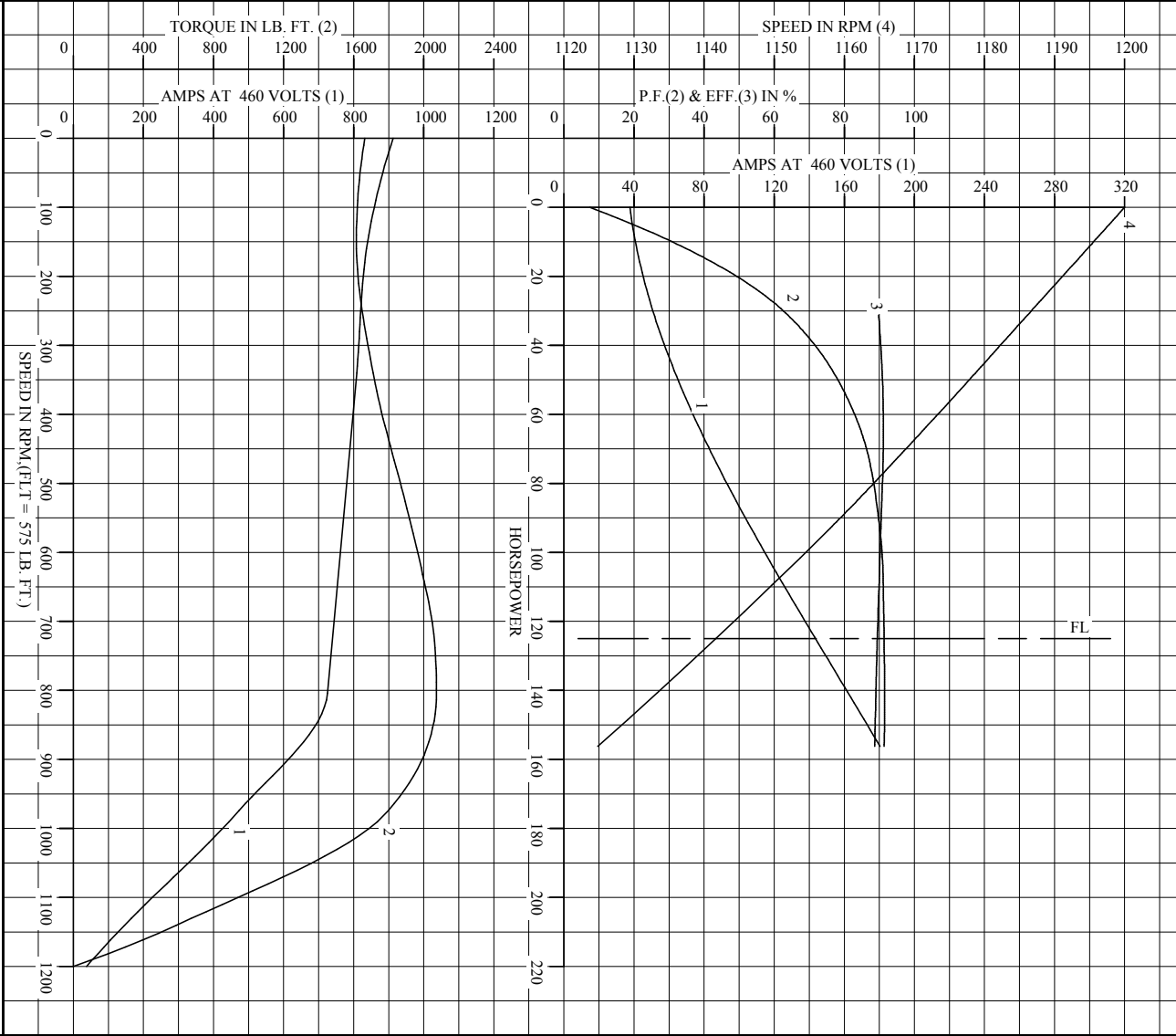
	RPM	TORQUE % FULL LOAD	TORQUE LB.-FT.	AMPERES
LOCKED ROTOR	0	289	1664	913
PULL UP	150	281	1616	840
BREAKDOWN	804	360	2073	726
FULL LOAD	1142	100	575	143

AMPERES SHOWN FOR 460. VOLT CONNECTION. IF OTHER VOLTAGE CONNECTIONS ARE AVAILABLE, THE AMPERES WILL VARY INVERSELY WITH THE RATED VOLTAGE

REMARKS : CALCULATED DATA

 A MEMBER OF THE ABB GROUP	DR. BY <u>W. L. SMITH</u> CR. BY <u>C.E. JAMISON</u> APP. BY <u>W. L. SMITH</u> DATE <u>01/20/14</u>	A-C MOTOR PERFORMANCE DATA A44WG1541-R001 ISSUE DATE 01/20/14
--	---	--

REL S.O.	447T	RPM	1140	S.F.	1.15	ROTOR	418143069BA
FRAME	447T	VOLTS	460	NEMA DESIGN	D	TEST S.O.	CALCULATED DATA
HP	125	AMPS	145	CODE LETTER	G	TEST DATE	---
TYPE	P	DUTY	CONT	ENCLOSURE	TEFC	STATOR RES. @ 25 °C	.0340
PHASE/HERTZ	3/60	AMB °/INSUL	40/F	E/S	833142	OMEGAS (BETWEEN LINES)	



AMPS SHOWN FOR 460 VOLTS WILL VARY INVERSELY WITH THE RATED VOLTAGE.

VOLT CONNECTION, IF OTHER VOLTAGE CONNECTIONS ARE AVAILABLE, THE

BALDOR	DR. BY	W. L. SMITH
A MEMBER OF THE ABB GROUP	CHK. BY	C. EAMONSON
	APP. BY	W. L. SMITH
	DATE	01/20/14

A-C MOTOR PERFORMANCE CURVES A44WC1541-R001

ISSUE DATE 01/20/14

Printed on 11/18/14 14:19 @ ragsun

DUTY MASTER ALTERNATING CURRENT MOTORS

SQUIRREL-CAGE INDUCTION

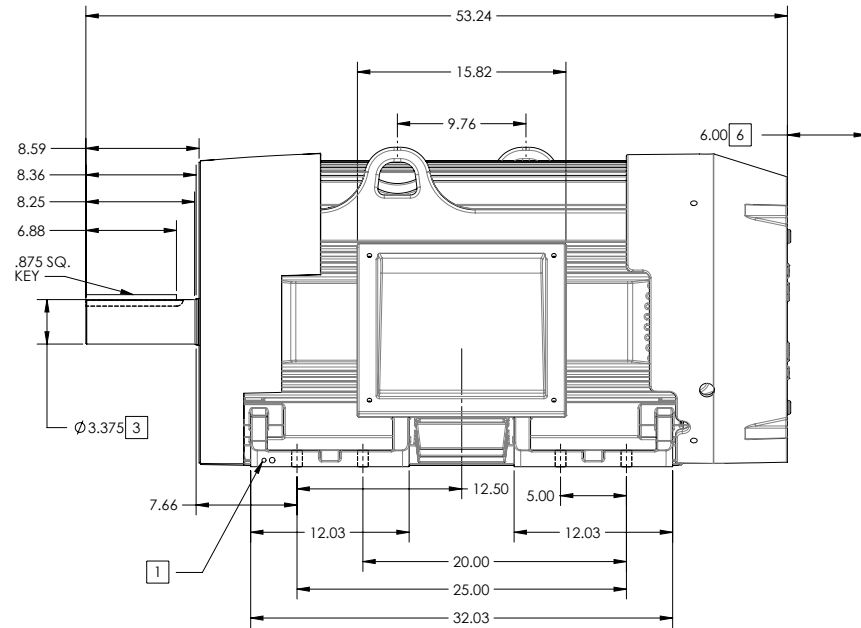
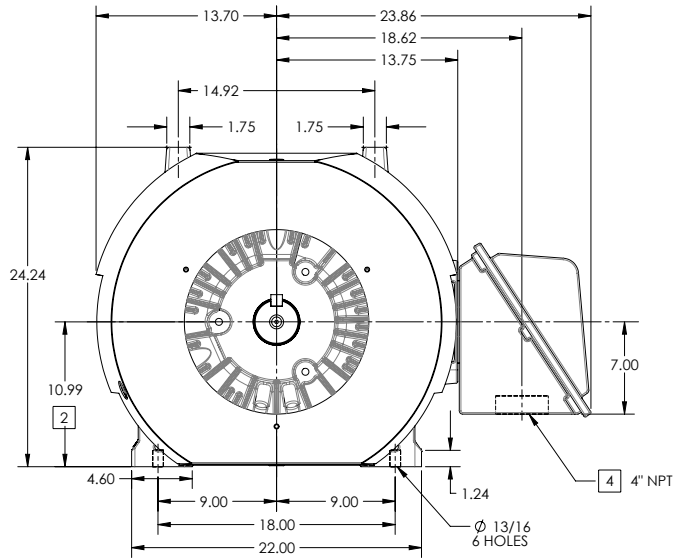
ENCLOSURE: TOTALLY ENCLOSED

FRAME G449T ABOVE NEMA RATINGS (1800 RPM MAX)

COOLING: FAN COOLED

MOUNTING: FOOT

INCLUDES 447T FRAME MOUNTING HOLES



1. GROUND HOLES QTY 1 1/2-13 TAP; QTY 1 3/8-16 TAP
2. VARIES +.00,-.06
3. VARIES +.00,-.001
4. ON STANDARD MOTORS THIS IS CONDUIT SIZE. ON XT AND CORROSION PROOF MOTOR THIS IS PIPE TAP.
5. MOTOR WEIGHTS MAY VARY BY 1.5% DEPENDING ON RATING.
6. OBSTRUCTION MUST NO ENCROACH ON AIR INLET

CONDUIT BOX LOCATED ON OPPOSITE SIDE WHEN F-1. IF MOUNTING CLEARANCE DETAILS ARE REQUIRED, CONSULT FACTORY. MAXIMUM PERMISSIBLE SHAFT RUNOUT WHEN MEASURED AT END OF STANDARD SHAFT EXTENSION IS .003\" T.I.R. TO 5 INCH DIA.

5 WEIGHT (LBS): 3180

DRIVE END AIR DEFLECTOR IS ONLY INCLUDED WHEN NECESSARY.

DIMENSIONS ARE IN INCHES; SEE SHEET 2 FOR DIMENSIONS IN MILLIMETERS

CUSTOMER IS RESPONSIBLE FOR DETERMINING THAT MOTOR PERFORMANCE IS SUITABLE IN THE APPLICATION.

SHEET NUMBER
1 OF 2

600-2727119

REV. DESC: CHANGED MAIN CONDUIT BOX OUTLET FROM 3\" TO 4\"
REV: A VERSION: 01 REVISED: 09-07-14 07/24/2013 TDR: 0000089852
MODEL NO. 617427-009
BY: RAGBXN

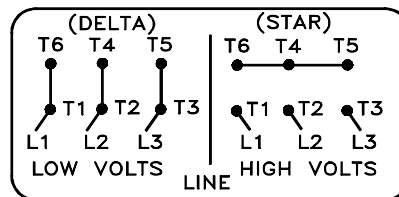
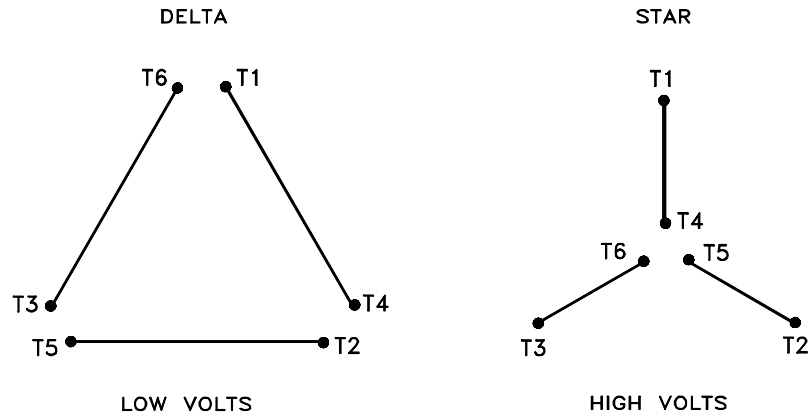
BALDOR

G449T/447T STD - FOOTED - SIDE/CENTER C/B - F2 MOUNT

617427-009

416820-004

A-C MOTOR
CONNECTION DIAGRAM
STANDARD 6 LEAD (DELTA/STAR CONNECTED)
DUAL VOLTAGE (LOW VOLTS/HIGH VOLTS)



(N.P. 1767-CC)

416820-004

REV. DESC: ADDED CLASSIFICATONS		
REV. LTR: B	VERSION: 02	TDR: 000000539297
FILE: \RSN\00017\950	REVISED: 11:58:09 05/04/2010	
MTL: -	BY: RAGRA	

BALDOR

A-C MOTOR CONNECTION DIAGRAM

SH 1 of 1

Marketing maintained PDF of MN408:

<http://www.baldor.com/support/Literature/Load.ashx/MN408?ManNumber=MN408>

Marketing maintained PDF of MN416:

<http://www.baldor.com/support/Literature/Load.ashx/MN416?ManNumber=MN416>