

BALDOR® • RELIANCE

Product Information Packet

SUM73004-4

30HP, 1750RPM, 3PH, 60HZ, 250TY, TENV, FOOTLE

Part Detail							
Revision:	-	Status:	PRD/A	Change #:		Proprietary:	No
Type:	AC	Prod. Type:		Elec. Spec:	W00699-B-E002	CD Diagram:	416820-1
Enclosure:	TENV	Mfg Plant:		Mech. Spec:		Layout:	066930-018
Frame:	250TY	Mounting:	V1	Poles:	04	Created Date:	04-09-2015
Base:		Rotation:	R	Insulation:	F	Eff. Date:	04-13-2015
Leads:						Replaced By:	
Literature:		Elec. Diagram:					

Nameplate 000613007AC		
CLASS I GROUP	C D X	NO. <input type="text"/>
CLASS II GROUP	X X X	
OPERATING TEMP CODE	T3C	

Nameplate 000613007MN										
CAT NO	SUM73004-4	SPEC NO.	P25G2704							
HP	30	AMPS	79.8/39.9		VOLTS	230/ 460		DESIGN	B	
FRAME SIZE	X0250TY	RPM	1750		HZ	60	AMB	40	SF	1.15
D.E. BRG.	60BC03JPP30A		PH	3	DUTY	*		INSUL	F	
O.D.E. BRG.	40BC02JPG30A		TYPE	P	ENCL	TENV		CODE	F	
			POWER FACTOR		NEMA-NOM-EFF					
			MAX CORR KVAR		GUARANTEED EFFICIENCY					
					NEMA NOM/CSA QUOTED EFF @	100% LOAD				
SER.NO.					MOTOR WEIGHT	545	LBS.			
	*15 MIN IN AIR ", SUB. IN									
	WATER" /SEWAGE ONLY MAX DEPTH-									
	REFER TO INSTR MANUAL FINAL									

Nameplate 000613007MR										
CAT NO	SUM73004-4		SPEC NO.	P25G2704						
HP	30	AMPS	79.8/39.9		VOLTS	230/ 460		DESIGN	B	
FRAME SIZE	X0250TY	RPM	1750		HZ	60	AMB	40	SF	1.15
D.E. BRG.	60BC03JPP30A		PH	3	DUTY	*		INSUL	F	
O.D.E. BRG.	40BC02JPG30A		TYPE	P	ENCL	TENV		CODE	F	
			POWER FACTOR			NEMA-NOM-EFF				
			MAX CORR KVAR			GUARANTEED EFFICIENCY				
					NEMA NOM/CSA QUOTED EFF @			100% LOAD		
SER.NO.			MOTOR WEIGHT	545		LBS.				
	*15 MIN IN AIR ", SUB. IN									
	WATER" /SEWAGE ONLY MAX DEPTH-									
	REFER TO INSTR MANUAL FINAL									

Nameplate 000692000MB	
CONN 460 VOLT	

Nameplate 000692000MB	
CONN 460 VOLT	

Parts List		
Part Number	Description	Quantity
SA297365	SA P25G2704	1.000 EA
RA283658	RA P25G2704	1.000 EA
000613007AC	UL NAMEPLATE FOR HAZARDOUS LOCATIONS	1.000 EA
000613007MN	NP,MEDIUM AC,NO CERT,STD INDUSTRIAL	1.000 EA
000613007MR	NP, MEDIUM AC, CSA, STD INDUSTRIAL	1.000 EA
000692000EJ	NAME PLATE	1.000 EA
000901001AA	LABEL WARNING	1.000 EA
001575000A	WIRING DIAGRAM	1.000 EA
424476003WB	WIRING DIAGRAM MEDIUMA	1.000 EA
034692002AE	HCSPP 1/4" 304 S.S.	1.000 EA
004824015A	GREASE POLYREX EM	0.200 LB
032018014DG	HHCS1/2-13X1-3/4 3165SS	4.000 EA
032130010DC	HSACS 1/2-13X1-1/4 304SS	4.000 EA
032620020JD	HSSS 10-24X5/8L 304S.S.	1.000 EA
034141225AC	RING, RETAINING	1.000 EA
034692003AE	PPLG 3/8" 304 S.S.	2.000 EA
047174005D	SNAP RING	1.000 EA
064262012D	SEAL	1.000 EA
064262012E	SEAL	1.000 EA
088210001AB	BRKT,DE,250SUB 88210-1WB	1.000 EA
088211001AA	PLTE 250 88211-1WB	1.000 EA
413412004A	SUBM MOISTURE PROBE	2.000 EA
413412005T	LEAD WIRE ASSY (BLANKE	1.000 EA
413480001R	RESISTOR ASSEMBLY-BLANKET	1.000 EA

Parts List (continued)		
Part Number	Description	Quantity
421900168FU	ORING	1.000 EA
421900168FU	ORING	1.000 EA
603762001AA	LABRYNTH BLKT	1.000 EA
032018006BM	HHCS 5/16-18X3/4 PLTGRN.	1.000 EA
032018006BM	HHCS 5/16-18X3/4 PLTGRN.	1.000 EA
032018010CG	HHCS 3/8-16X1-1/4L 316SS	4.000 EA
032080003JB	HWHMS 10-24X3/8L PLTED	4.000 EA
032080003LB	HWHMS 1/4-20X3/8L PLTED	3.000 EA
034036013AB	LCKW 5/16 EXT.TOOTH LCKW	1.000 EA
047024003AH	T/LUG AMP 34112	4.000 EA
047024003J	TERMINAL LUG- Amp 33461	9.000 EA
415031017A	NUT W/WASHER 10-24 C.PLT	4.000 EA
415031017B	NUT W/WASHER1/4-20 C.P	3.000 EA
421900092FU	ORING	1.000 EA
609181014D	HEAT SHRINK TUBING 3/4	7.000 EA
700385014P	CCA #2 25' 210/250	1.000 EA
004824007K	SPECIAL PAINT	0.100 EA
033775004EA	DRSCR #6-1/4 304 S.S.	4.000 EA
034180018FD	KEY 3/8X3/8X2-1/4L 303SS	1.000 EA
000692000MB	BALDOR RELIANCE MOTOR DATA NAMEPLATE	1.000 EA
000692000MB	BALDOR RELIANCE MOTOR DATA NAMEPLATE	1.000 EA
088209001AB	BRKT,DE,250SUB 88209-1WCD	1.000 EA
421900168FU	ORING	1.000 EA
004824018AF	SHELL ROTELLA OIL 10W	3.500 LB

Product Information Packet: SUM73004-4 - 30HP,1750RPM,3PH,60HZ,250TY,TENV,FOOTLE

032018008BG	HHCS 5/16-18X1 BRASS-447	3.000 EA
032018014DG	HHCS1/2-13X1-3/4 3165SS	4.000 EA
000901001AA	LABEL WARNING	1.000 EA
B3630-9	SUBM THERMOSTAT TAG	1.000 EA
B-3664002	TAG, (NON REGREASABLE)	1.000 EA

REL. S.O.	FRAME	HP	TYPE	PHASE/ HERTZ	RPM	VOLTS
	250TY	30	P	3/60	1750	230/460
AMPS	DUTY	AMB °C/ INSUL.	S.F.	NEMA DESIGN	CODE LETTER	ENCL.
79.8/39.9	*	40/F	1.15	B	F	SUB
E/S	ROTOR	TEST S.O.	TEST DATE	STATOR RES. @25 °C (BETWEEN LINES)		
424202	418138036SE	---	---	.0898 / .359		

PERFORMANCE


LOAD	HP	AMPERES	RPM	INPUT KW	POWER FACTOR	% EFFICIENCY
NO LOAD	0	17.4	1800	1.22	8.80	0
1/4	7.51	20.2	1788	6.93	43.2	80.9
2/4	15.0	24.9	1777	12.8	64.5	87.5
3/4	22.5	31.8	1765	18.9	74.5	88.9
4/4	30.0	39.9	1752	25.2	79.4	88.7
5/4	37.5	49.2	1736	31.9	81.4	87.7

SPEED TORQUE

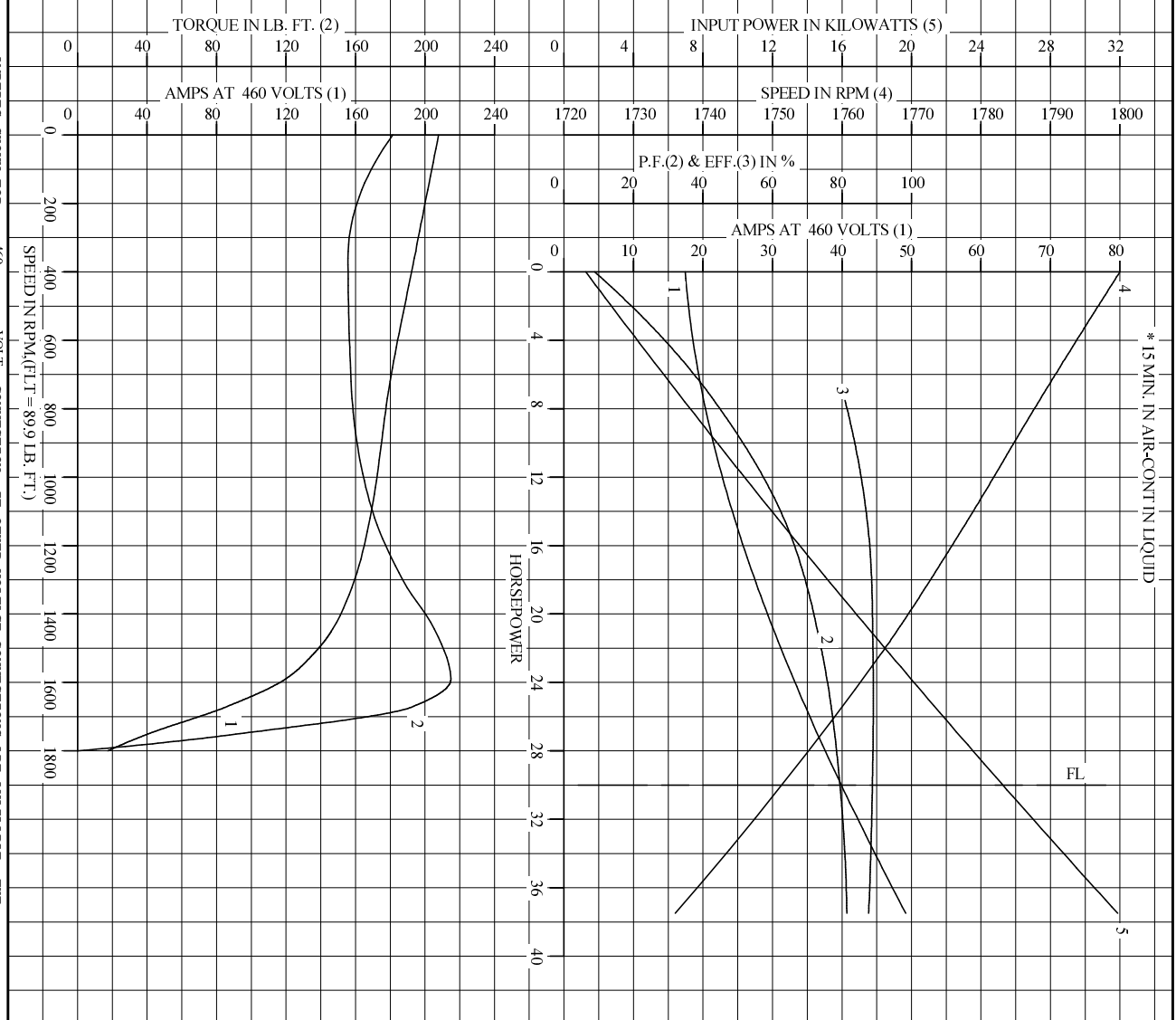
	RPM	TORQUE % FULL LOAD	TORQUE LB.-FT.	AMPERES
LOCKED ROTOR	0	202	181	208
PULL UP	360	173	156	194
BREAKDOWN	1592	239	215	119
FULL LOAD	1752	100	89.9	39.9

AMPERES SHOWN FOR 460. VOLT CONNECTION. IF OTHER VOLTAGE CONNECTIONS ARE AVAILABLE, THE AMPERES WILL VARY INVERSELY WITH THE RATED VOLTAGE

REMARKS: TYPICAL DATA
* 15 MIN. IN AIR-CONT IN LIQUID

	DR. BY	D. M. BYRD	A-C MOTOR PERFORMANCE DATA W00699-B-E002 ISSUE DATE 05/10/04
	CK. BY	T. WILLIAMS	
A MEMBER OF THE ABB GROUP		APP. BY D. M. BYRD DATE 05/10/04	

REL. S.O. RPM 1750 S.F. 1.15 ROTOR 418138036SE
 FRAME 250TY VOLTS 230/460 NEMA DESIGN B TEST S.O. TYPICAL DATA
 HP 30 AMPS 79.8/39.9 CODE LETTER F TEST DATE ---
 TYPE P DUTY * ENCLOSURE SUB STATOR RES. @ 25 °C .0898/.359
 PHASE/HERTZ 3/60 AMB °C/INSUL 40/F E/S 424202 OHMS (BETWEEN LINES)



AMPERES SHOWN FOR 460 VOLT CONNECTION, IF OTHER VOLTAGE CONNECTIONS ARE AVAILABLE, THE AMPERES WILL VARY INVERSELY WITH THE RATED VOLTAGE.

BALDOR
 A MEMBER OF THE ABB GROUP

DR. BY D.M.BYRD
 CK. BY T.WILLIAMS
 APP. BY D.M.BYRD
 DATE 05/10/04

A-C MOTOR PERFORMANCE CURVES
 W00699-B-E002
 ISSUE DATE 05/10/04

Printed on 9/15/11 7:31 @ r99

066930-018

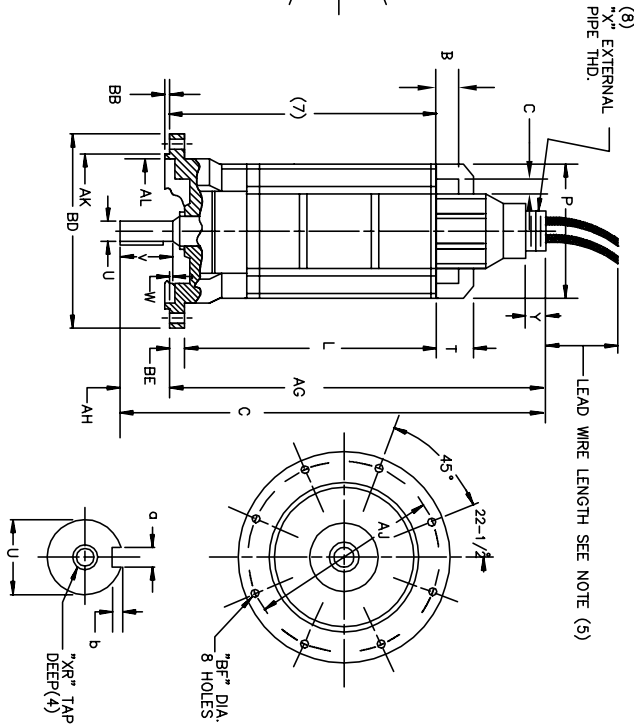
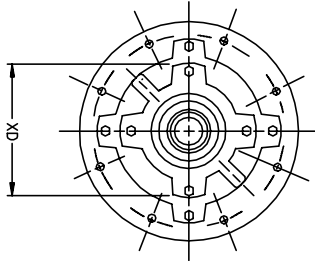
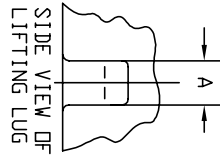
DUTY MASTER ALTERNATING CURRENT MOTORS

SQUIRREL-CAGE INDUCTION
ENCLOSURE: TOTALLY ENCLOSED

SUBMERSIBLE

FRAMES 210TY THRU 320TY

066930-018



DIMENSIONS ARE IN INCHES. SEE SHEET 2 FOR MILLIMETERS.

FRAME	C	L	P	T	U(3)	V	W	AG	AH	AI	AK (6)	AL	A	B
210TY	31.69	21.12	11.50	2.25	1.4380	2.00	.44	30.12	1.56	14.12	13.125	12.00	.88	1.50
250TY	37.34	23.63	12.75	3.50	1.750	3.31	.28	34.31	3.03	16.00	15.000	14.00	.75	2.25
320TY	43.12	24.69	15.75	4.25	2.500	3.19	2.12	37.81	5.31	17.25	16.000	15.25	1.25	2.25

FRAME	BE(2)	BF	XR(4)	X (8)	Y	XD	BB	B	LEAD WIRE LENGTH	WEIGHT
210TY	15.250	.75	5/8-11	2-1/2-8	1.25	7.75	.25	.375	.19	1.12
250TY	17.000	.88	5/8-11	2-1/2-8	1.25	7.75	.25	.375	.19	2.25
320TY	18.750	.88	5/8-11	3/4-10	3-8	10.88	.25	500	.25	3.00

- (1) SPECIAL DIMENSIONS ON THIS LINE.
- (2) "BP" VARIES ±010.
- (3) "U" VARIES — UP TO 1.625 DIA. +.0000, —.0005
1.625 DIA. AND LARGER +.000, —.001.
- (4) TAP DEPTH ON 210TY THRU 250TY IS 1.38"
TAP DEPTH ON 320TY IS 1.50"
- (5) LEAD WIRE LENGTH AS SPECIFIED ON CERTIFICATION
- (6) "AK" VARIES +.000, —.002
- (7) MINIMUM SUBMERGED DEPTH.

FACE RUNOUT AND ECCENTRICITY .008 MAX. T.I.R.
PROTECTIVE CONDUIT FURNISHED BY CUSTOMER.
(8) 3" — 8 PIPE THREAD SUPPLIED WITH CABLE
SIZES NO. 4 AND LARGER.

FRAME _____ TYPE _____ CERTIFIED FOR _____
 ORDER _____ ITEM _____ HP _____ RPM _____ PH _____ HZ _____ VOLTS _____
 RELIANCE SALES ORDER _____ APPROVED BY _____ DATE _____

CUSTOMER IS RESPONSIBLE FOR DETERMINING THAT BALDOR'S PRODUCT WILL PERFORM SUITABLY IN THE INTENDED APPLICATION.

REV. LTR: D	VERSION: 04	TDR: 000000876933
FILE: \RGG\00006\320	REVISED: 08:13:18 10/21/2014	BY: RGGWT
MTL: —		

BALDOR

DIMENSION SHEET DUTY MASTER A/C MOTORS

SH 1 of 2

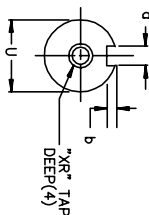
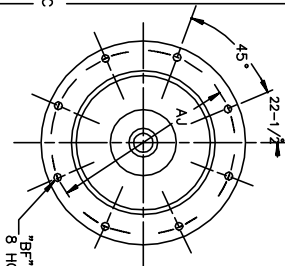
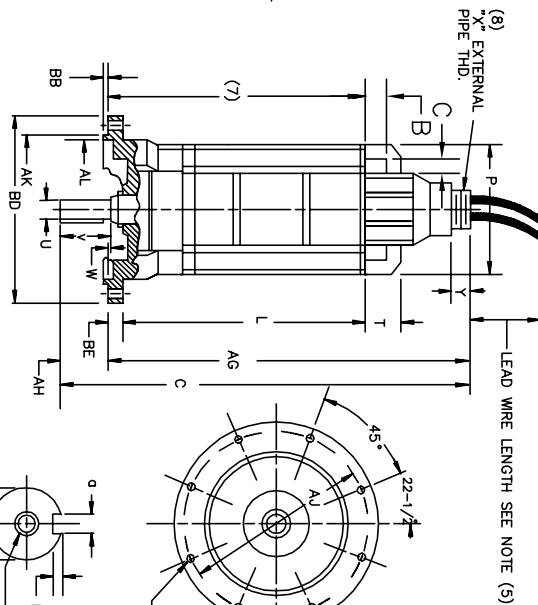
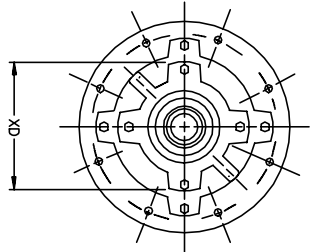
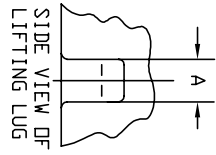
066930-018

DUTY MASTER ALTERNATING CURRENT MOTORS

SQUIREL-CAGE INDUCTION
ENCLOSURE: TOTALLY ENCLOSED
SUBMERSIBLE

FRAMES 210TY THRU 320TY

066930-018



DIMENSIONS ARE IN MILLIMETERS. SEE SHEET 1 FOR INCHES.

FRAME	C	L	P	T	U(3)	V	W	AG	AH	AJ	AK (6)	AL	LINE LUG DIMENSIONS
210TY	804.9	536.4	292.1	57.1	36.525	50.8	11.2	765.0	39.6	358.6	333.38	304.8	22.3 36.1 44.4
250TY	948.4	602.2	323.8	88.9	44.45	84.1	7.1	871.5	77.0	406.4	381.00	355.6	19.0 57.1 53.8
320TY	1095.2	627.1	400.0	108.0	63.50	81.0	53.8	960.4	134.9	438.1	406.40	387.3	31.7 57.1 38.1

FRAME	BD(2)	BE	BF	YR(4,9)	X (6,9)	Y	X0	BB	KEYWAY	WEIGHT (KG)
210TY	387.35	18.0	14.2	5/8-11	2-1/2-8	31.7	196.8	6.4	9.52 4.8	143
250TY	431.80	22.4	17.5	5/8-11	2-1/2-8	31.7	196.8	6.4	9.52 4.8	340
320TY	476.25	22.4	17.5	3/4-10	3-8	31.7	276.4	6.4	12.70 6.4	521

- (1) SPECIAL DIMENSIONS ON THIS LINE.
- (2) "BD" VARIES ±25
- (3) "U" VARIES — [IP TO 41.28 DIA. +.000, -.013] 41.28 DIA. AND LARGER +.000, -.025.
- (4) TAP DEPTH ON 210TY THRU 250TY IS 35MM. TAP DEPTH ON 320TY IS 38MM.
- (5) LEAD WIRE LENGTH AS SPECIFIED ON CERTIFICATION
- (6) "AK" VARIES +.000, -.050
- (7) MINIMUM SUBMERGED DEPTH.
- (8) FACE RUNOUT AND ECCENTRICITY .20 MAX. T.I.R. PROTECTIVE CONDUIT FURNISHED BY CUSTOMER. SIZES NO. 4 AND LARGER.
- (9) DIMENSIONS IN INCHES.

sh2

FRAME— TYPE— CERTIFIED FOR—
 ORDER— ITEM— HP— RPM— PH— HZ— VOLTS—
 RELIANCE SALES ORDER— APPROVED BY— DATE—

CUSTOMER IS RESPONSIBLE FOR DETERMINING THAT BALDOR'S PRODUCT WILL PERFORM SUITABLY IN THE INTENDED APPLICATION.

REV. DESC: MOVE V DIM. TO CORRECT POSITION (SH1)		
REV. LTR: D	VERSION: 04	TDR: 000000876933
FILE: \RGG\00006\320	REVISED: 08:13:18 10/21/2014	BY: RGGWT
MTL: —		

BALDOR

DIMENSION SHEET DUTY MASTER A/C MOTORS

SH 2 of 2